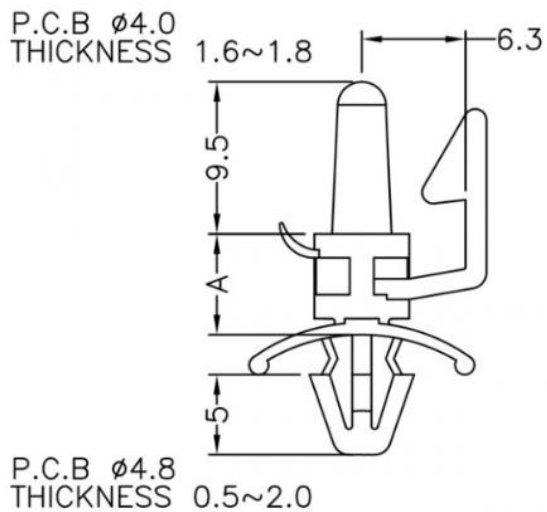
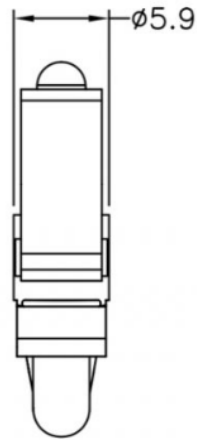
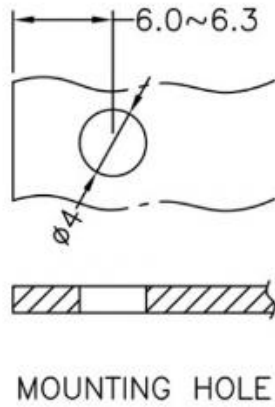


4.0/4.8mm Spacer Support KLS8-0238



Product Information

Material: NYLON 66(UL94V-2),NATURAL

Working temperature: $0^{\circ}\text{C} \sim 80^{\circ}\text{C}$

Dipping Bibulous: 2.5% at 20°C 24H 50% Humidity

Withstand Voltage:2500V/0.5mA/1m

Heat Resistance: B- 130°C (30m without melting at 200°C)

Application: the fixed PC board on the boards, free tools,

P/N	A	UPPER		CHASSIS		Color	Packing
		PCB Hole	PCB THICKNESS	PCB Hole	PCB THICKNESS		
	mm	mm	mm	mm	mm		pcs
L-KLS8-0238-LPT-06	6.3	4.0	1.6~1.8	4.8	0.5~2.0	Natural	1000
L-KLS8-0238-LPT-08	8.0	4.0	1.6~1.8	4.8	0.5~2.0	Natural	1000
L-KLS8-0238-LPT-09	9.5	4.0	1.6~1.8	4.8	0.5~2.0	Natural	1000
L-KLS8-0238-LPT-10	10.0	4.0	1.6~1.8	4.8	0.5~2.0	Natural	1000
L-KLS8-0238-LPT-13	12.7	4.0	1.6~1.8	4.8	0.5~2.0	Natural	1000
L-KLS8-0238-LPT-16	15.9	4.0	1.6~1.8	4.8	0.5~2.0	Natural	1000
L-KLS8-0238-LPT-19	19.1	4.0	1.6~1.8	4.8	0.5~2.0	Natural	1000
L-KLS8-0238-LPT-23	23.0	4.0	1.6~1.8	4.8	0.5~2.0	Natural	1000