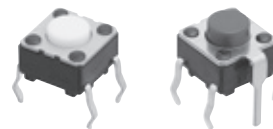


5N Type Light Touch Switches

Type: **EVQPA/EVQPB**



■ Features

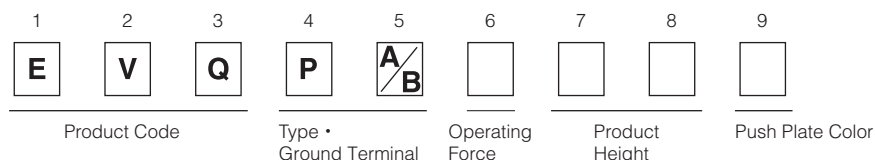
- Wealth of product types: With or without a ground terminal, vertical type, snap-in terminals, etc.
- Can be automatically dip-soldered: Integral molding of the terminals and main body prevents the escape of flux.

! To Be Discontinued
Last time buy: December 31, 2020

■ Recommended Applications

- Operating switches for other electronic equipment

■ Explanation of Part Numbers



■ Specifications

Type		Snap action/Push-on type SPST	
Electrical	Circuit Diagram		
	Rating	10 μA 2 V DC to 20 mA 15 V DC (Resistive load)	
	Contact Resistance	50 mΩ max.	
	Insulation Resistance	50 MΩ min. (at 100 V DC)	
	Dielectric Withstanding Voltage	250 V AC for 1 minute	
Mechanical	Bouncing	3 ms max. (ON) 8 ms max. (OFF)	
	Operating Force	1.0 N±0.4 N 1.3 N±0.4 N 1.6 N±0.5 N	2.6 N±0.6 N
	Travel	0.25 mm±0.10 mm	
Endurance	Operating Life	100,000 cycles min.*	50,000 cycles min.
Operating Temperature		-20 °C to +70 °C	
Storage Temperature		-40 °C to +85 °C (Bulk)	
Minimum Quantity/Packing Unit		500 pcs. Polyethylene Bag (Bulk)	
Quantity/Cartron		10,000 pcs.	

*1 million cycles also available, consult our salesmen.

Design and specifications are each subject to change without notice. Ask factory for the current technical specifications before purchase and/or use. Should a safety concern arise regarding this product, please be sure to contact us immediately.


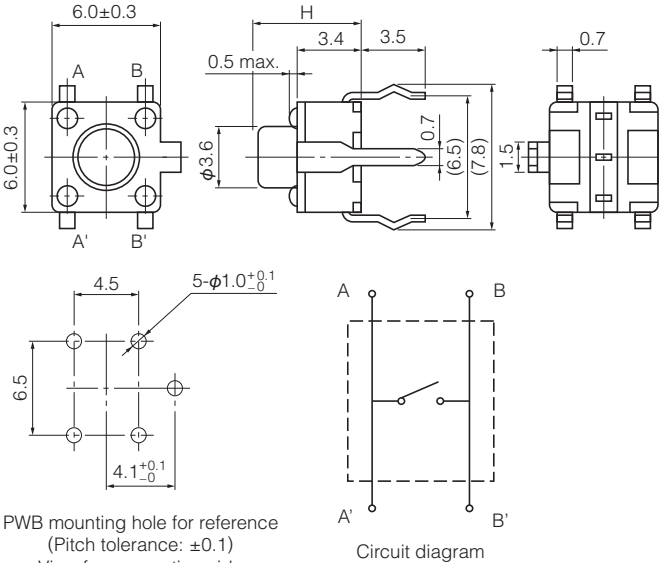
■ Dimensions in mm (not to scale)

<p>No. 1</p> <p>EVQPA</p> <p>Without ground terminal</p>	<p>General dimension tolerance : ± 0.2 () dimensions are reference dimensions.</p> <div style="text-align: right; border: 1px solid red; padding: 5px; color: red; font-weight: bold;"> To Be Discontinued Last time buy: December 31, 2020 </div> <div style="text-align: center; margin-top: 20px;"> </div>
---	--

Part Numbers	Operating Force	H=Height	Push Plate Color	Operating Life
EVQPAC04M	1.0 N	4.3 mm	White	100,000 cycles
EVQPAC05R	1.0 N	5.0 mm	Red	100,000 cycles
EVQPAC07K	1.0 N	7.0 mm	Black	100,000 cycles
EVQPAC09K	1.0 N	9.5 mm	Black	100,000 cycles
EVQPAD04M	1.3 N	4.3 mm	White	100,000 cycles
EVQPAD05R	1.3 N	5.0 mm	Red	100,000 cycles
EVQPAD07K	1.3 N	7.0 mm	Black	100,000 cycles
EVQPAD09K	1.3 N	9.5 mm	Black	100,000 cycles
EVQPAE04M	1.6 N	4.3 mm	White	100,000 cycles
EVQPAE05R	1.6 N	5.0 mm	Red	100,000 cycles
EVQPAE07K	1.6 N	7.0 mm	Black	100,000 cycles
EVQPAE09K	1.6 N	9.5 mm	Black	100,000 cycles
EVQPAG04M	2.6 N	4.3 mm	White	50,000 cycles
EVQPAG05R	2.6 N	5.0 mm	Red	50,000 cycles
EVQPAG07K	2.6 N	7.0 mm	Black	50,000 cycles
EVQPAG09K	2.6 N	9.5 mm	Black	50,000 cycles

Design and specifications are each subject to change without notice. Ask factory for the current technical specifications before purchase and/or use.
Should a safety concern arise regarding this product, please be sure to contact us immediately.

■ Dimensions in mm (not to scale)

<p>No. 2</p> <p>EVQPB</p> <p>With ground terminal</p> 	<p>General dimension tolerance : ± 0.2 () dimensions are reference dimensions.</p> <div style="border: 1px solid red; padding: 5px; text-align: center; color: red; font-weight: bold;"> <p>! To Be Discontinued Last time buy: December 31, 2020</p> </div>  <p style="text-align: center;">PWB mounting hole for reference (Pitch tolerance: ± 0.1) View from mounting side</p> <p style="text-align: center;">Circuit diagram</p>
--	---

Part Numbers	Operating Force	H=Height	Push Plate Color	Operating Life
EVQPBC04M	1.0 N	4.3 mm	White	100,000 cycles
EVQPBC05R	1.0 N	5.0 mm	Red	100,000 cycles
EVQPBC07K	1.0 N	7.0 mm	Black	100,000 cycles
EVQPBC09K	1.0 N	9.5 mm	Black	100,000 cycles
EVQPBD04M	1.3 N	4.3 mm	White	100,000 cycles
EVQPBD05R	1.3 N	5.0 mm	Red	100,000 cycles
EVQPBD07K	1.3 N	7.0 mm	Black	100,000 cycles
EVQPBD09K	1.3 N	9.5 mm	Black	100,000 cycles
EVQPBE04M	1.6 N	4.3 mm	White	100,000 cycles
EVQPBE05R	1.6 N	5.0 mm	Red	100,000 cycles
EVQPBE07K	1.6 N	7.0 mm	Black	100,000 cycles
EVQPBE09K	1.6 N	9.5 mm	Black	100,000 cycles
EVQPBG04M	2.6 N	4.3 mm	White	50,000 cycles
EVQPBG05R	2.6 N	5.0 mm	Red	50,000 cycles
EVQPBG07K	2.6 N	7.0 mm	Black	50,000 cycles
EVQPBG09K	2.6 N	9.5 mm	Black	50,000 cycles

Design and specifications are each subject to change without notice. Ask factory for the current technical specifications before purchase and/or use.
Should a safety concern arise regarding this product, please be sure to contact us immediately.