

WeiCheng Motor Factory Of Fenghua City

www.steadymotor.com

Http://steadymotor.1688.com

Adress:NO.46 ,Juying Road, Jiangkou Town ,Fenghua of Ningbo ,province of ZheJiang.China

TEL: +86 18357879392/ 0574-88687198 Fax: 0574-88687198 E-mail:sean@steadymoto.com



WM7040-24V

The product name: 1.Hollow Cup Brushless **DC Blower**
2.High pressure mini blower fan
3.Blower fan of respirator
4.Mini air blower for cooling equipment

The product model: WM7040-24V

The Product Uses: Suitable for Air cushion machine,respirator system, fuel cell,high grade hot air welding table,a variety of cooling equipment, etc.

The product feature: The motor design adopts a hollow cup structure, which has the characteristics of starting and running smoothly.Energy saving and environmental protection.

Fast speed:35000rpm/min

size:L:70mm H:40mm

low noise: 45db(A)(10cm H₂O,1M distance)

low temperature rising:40℃

long life: 30000H (4 hours on ,stop for 5 minute)

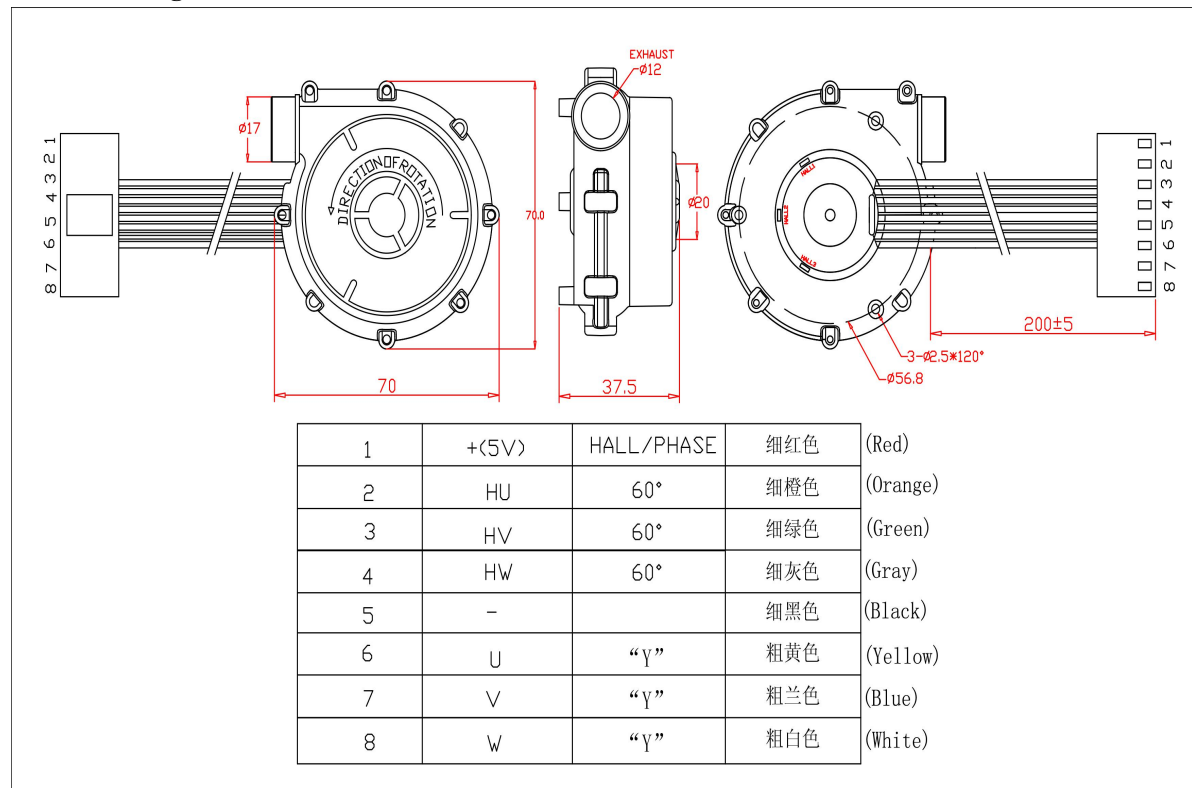
high efficiency: 80%

OEM/ODM can be customized!

Technical parameters:

Project	Unit	WM7040-24V
Input voltage	V	24
Idle speed	rpm	35000+/-5%
Idle current	A	2.7+/-0.1
Maximum air volume	L/min	240-260
Maximum wind pressure	KPa	7.5
Coil connection method		Star
Body size	mm	L:70 H:40
Weight	g	90
Holzer angle		60
Bearing		NSK Double balls bearing
Blower type		Brushless DC
Rotor magnet pole number		1
Noise	db(A)	45(1M,10CMH2O)

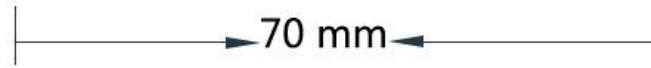
Structure diagram:



Physical display:



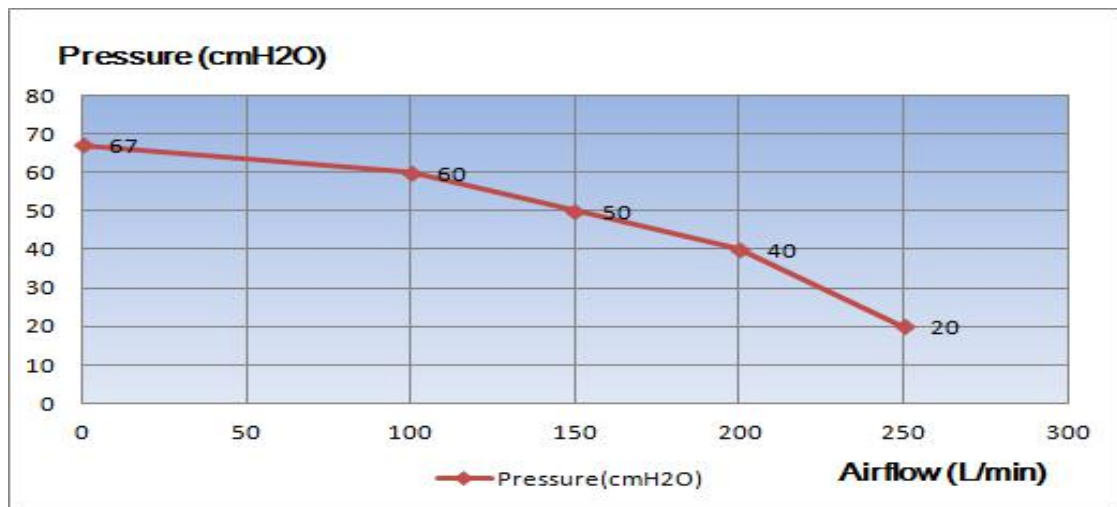
WM7040-12/24V-3/8pin-65W
7.5Kpa-240L/min-45dB



www.steadymotor.com

伟成电机
STEADY MOTOR

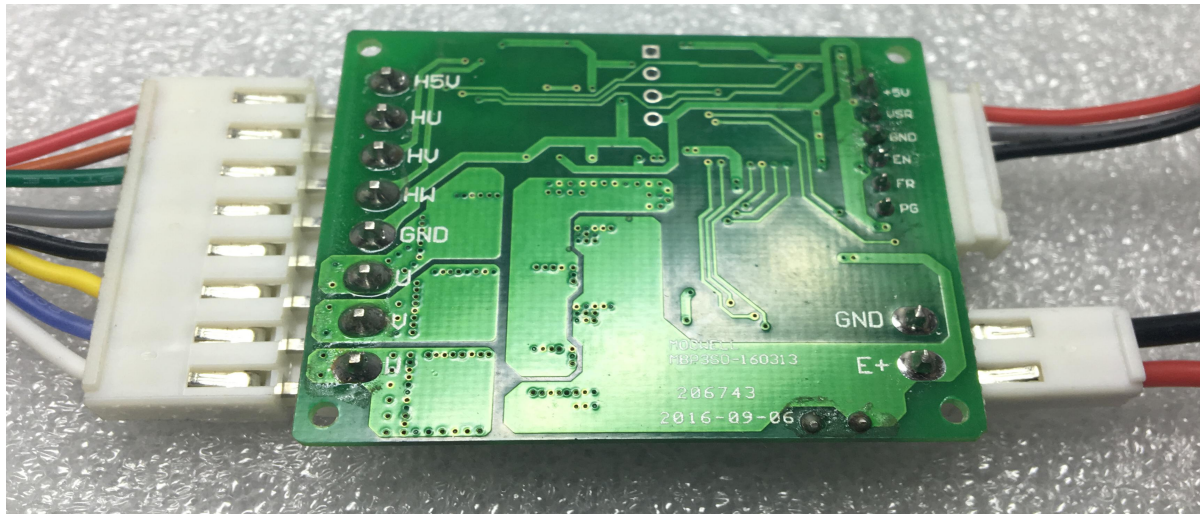
About parameter test:(Air pressure,Air quantity)



About the certificates: CE



About the drive:



Technical parameters:

+5V	Voltage supply to Hall		+5V	5V voltage supply
HU	Hall U		VSR	Input 0-5 VDC voltage to change motor speed,make sure the Speed pot on the driver is set on the max.
HV	Hall V		GND	GND
HW	Hall W		EN	High or not connected= Running, Low or connected to GND=Stop
GND	GND		FR	High or not connected=CCW, Low or connected to GND=CW
U	Phase U		FG	Speed Pulse Output
V	Phase V		GND	Power -
W	Phase W		+	Power +

Product name	Unit	Three phase brushless DC drive
Product model		WM7040-24V Drive
Rated voltage	V	24
Allowable operating voltage	V	7-26
Maximum continuous current	A	3
Holzer electrical angle	Degree	60
Weight	Gram	18