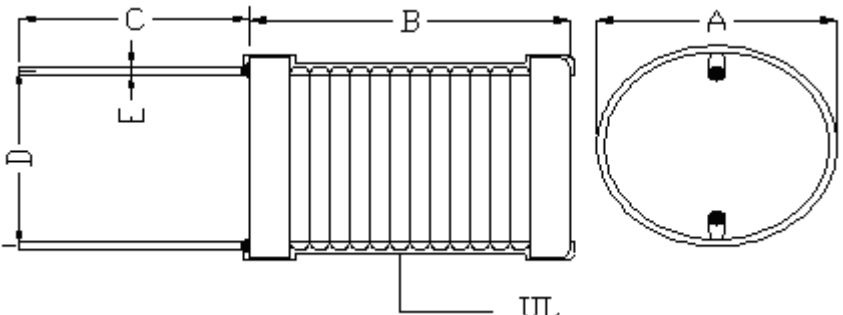
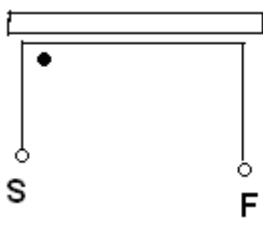


SPECIFICATION FOR APPROVAL

CUSTOMER:		DATE:															
PART NO: RC0810U-102K(L10)		DWG.NO: RB4012008															
CUSTOMER PART NO:		CUST.DWG.NO:															
<p>(1) DIMENSION(UNIT: mm)</p> 		A	10.0 (MAX) m/m														
		B	11.0 (MAX) m/m														
		C	10.0 (MIN) m/m														
		D	5.0 (REF) m/m														
		E	0.65 ± 0.05 m/m														
		F	m/m														
		G	m/m														
		H	m/m														
		I	m/m														
		J	m/m														
		<p>(2) ELECTRICAL REQUIREMENTS</p> <table border="1" style="width: 100%; border-collapse: collapse;"> <tr> <td style="width: 25%;">L (mH)</td> <td style="text-align: center;">1 ± 10%</td> </tr> <tr> <td>RDC (Ω)</td> <td style="text-align: center;">1.5 (MAX)</td> </tr> <tr> <td>IDC (mA)</td> <td style="text-align: center;">750 (MAX)</td> </tr> <tr> <td>TEST CONDITION</td> <td style="text-align: center;">1KHz / 0.25V</td> </tr> <tr> <td> </td> <td> </td> </tr> <tr> <td> </td> <td> </td> </tr> </table>		L (mH)	1 ± 10%	RDC (Ω)	1.5 (MAX)	IDC (mA)	750 (MAX)	TEST CONDITION	1KHz / 0.25V					<p>(3) SCHEMATIC</p> 	
				L (mH)	1 ± 10%												
RDC (Ω)	1.5 (MAX)																
IDC (mA)	750 (MAX)																
TEST CONDITION	1KHz / 0.25V																
<p>(4) REMARK</p> <p>CORE: Y9 DR2W 8x10F</p> <p>WIRE: φ 0.23 x 1C</p> <p>TURN: 177.5Ts (REF)</p>		APPROVED BY															
		吳載敏															
		CHECKED BY															
		張明德															
		DRAWN BY															
		黃慧診															

CORE MASTER ENTERPRISE CO., LTD.

TEL:886-2-8919-1288 FAX:886-2-8919-1298 WEB:www.coremaster.com.tw

TEST DATA

CUSTOMER:				DATE:				
PART NO: RC0810U-102K(L10)				DWG.NO: RB4012008				
CUSTOMER PART NO :				CUST.DWG.NO :				
TEST CONDITION: 1KHz / 0.25V				DIMENSION (UNIT : mm)				
ITEM	L (mH)	RDC (Ω)	IDC (mA)	A	B	C	D	E
SPEC	1 ± 10%	1.5 (MAX)	750 (MAX)	10.0 (MAX)	11.0 (MAX)	10.0 (MIN)	5.0 (REF)	0.65 ± 0.05
1	0.99	1.38	OK	8.6	10.6	10.1	4.9	0.65
2	0.99	1.38	OK	8.6	10.6	10.1	4.9	0.65
3	0.99	1.38	OK	8.7	10.6	10.2	4.8	0.65
4	0.99	1.37	OK	8.7	10.7	10.1	4.7	0.65
5	0.99	1.39	OK	8.7	10.6	10.2	4.8	0.65
6	0.99	1.38	OK	8.7	10.7	10.2	4.9	0.65
7	0.99	1.37	OK	8.8	10.6	10.3	4.9	0.65
8	0.99	1.37	OK	8.8	10.7	10.2	4.9	0.65
9	0.99	1.38	OK	8.8	10.6	10.1	4.8	0.65
10	0.99	1.39	OK	8.8	10.7	10.2	4.7	0.65
\bar{X}	0.99	1.38		8.72	10.64	10.17	4.83	0.65
R	0.00	0.02		0.20	0.10	0.20	0.20	0
TEST INSTRUMENTS CH101 CH301A						APPROVED BY		
						吳載敏		
						CHECKED BY		
張明德								
DRAWN BY								
黃慧診								

CORE MASTER ENTERPRISE CO., LTD.

TEL:886-2-8919-1288 FAX:886-2-8919-1298 WEB:www.coremaster.com.tw