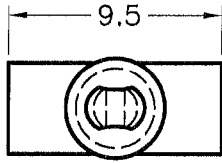
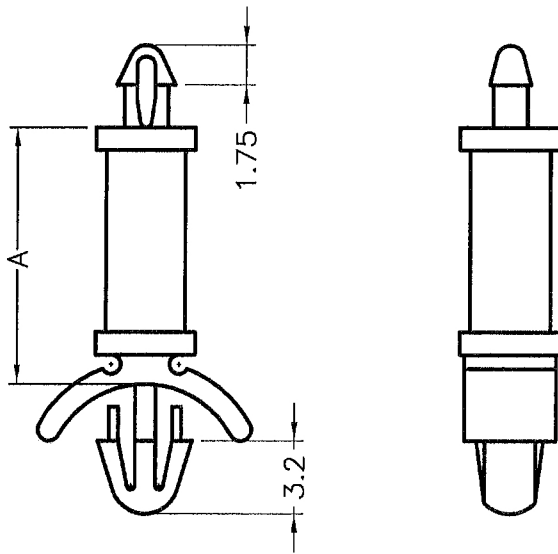


DIM.	TOL
5mm DOWN	±0.2
5~20mm	±0.3
20~40mm	±0.4
40~60mm	±0.5
60~100mm	±0.8
100mm UP	±1.0

REVISIONS			
REV	DESCRIPTION	DATE	BY




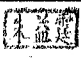
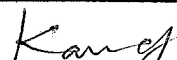
HOLE IN P.C.B ϕ 2.0mm
P.C.B THICKNESS 1.6mm



HOLE IN CHASSIS: ϕ 3~ ϕ 3.2mm
CHASSIS THICKNESS: 0.8~2.0mm

A
3.2
4.8
6.4
7.9
9.5
11.1
12.7
14.3
15.9
17.0

NOTE: All measurement does not include gate which raises under 0.3mm.

 KLS ELECTRONIC CO.,LTD				TITLE	SPACER SUPPORT	SPEC. DWG	
				MATERIAL	NYLON 66 UL94V-2	DATE	2006.12.13
				FINISH		DRAWN	JOHNNY
				COLOR	NATURAL	CHECK	
PART NUMBER	DRAWING NUMBER		UNLESS OTHERWISE SPECIFIED TOLERANCE	SEE ABOVE	APPROVED		
SIZE	A4	SCALE	NONE	UNIT	mm	REV	B