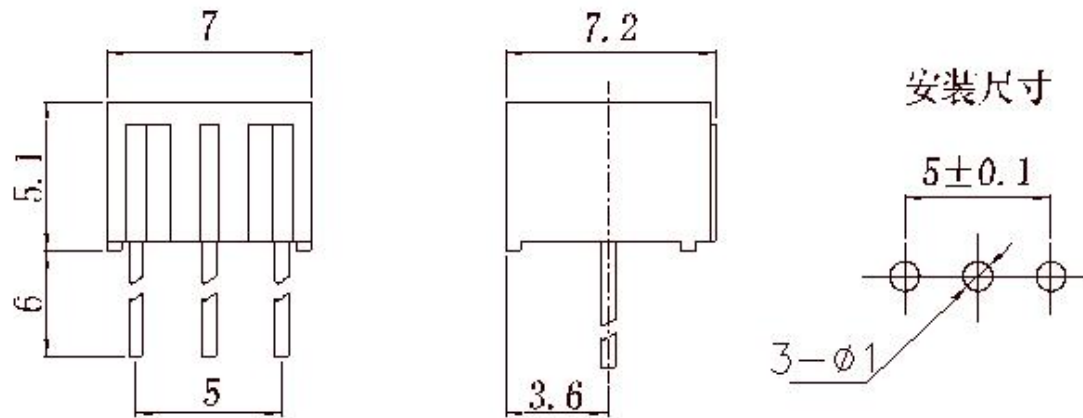


3362U Series potentiometer Specifications



Electrical Characteristics	Range of nominal resistance	10Ω~5MΩ
	Resistance tolerance	±10%
	Terminal resistance	≤±1%R or 2Ω
	Contact resistance variation (CRV)	≤±1%R or 3Ω
	Insulation resistance	≥ 1GΩ (100V AC)
	Withstand voltage	640V (DC or AC peak value)
	Effective electrical travel	≥200of mechanical travel

Environment Characteristics	Rated power	0.25W (70°C)
	Temperature range	-55°C~+125°C
	TCR	±250×10-6/°C
	Collision (390m/S2, 4000 times)	ΔR≤±1%R
	Vibration (10-500HZ, 0.75mm, 6h)	ΔR≤±1%R, ΔUab/Uac≤±2%R, Electrical break≤100μS
	Temperature variation (-55°C/30min, +125°C/30min, 5 cycles)	ΔR≤±2%R, ΔUab/Uac≤±2%R
	Climate category (IEC68-2-2)	ΔR≤± (5%R+0.1Ω), Insulation Resistance≥100MΩ
	Electrical endurance (0.5W, 1000h)	ΔR≤± (5%R+0.1Ω),CRV≤±3%R or 5Ω
	Mechanical endurance (200 cycles)	ΔR≤± (10%R+0.5Ω), CRV≤±3%R or 5Ω
	Steady damp heat (IEC68-2-3, Ca, 96h)	ΔR≤± (5%R+0.1Ω), Insulation Resistance≥100MΩ

Physical Characteristics	Total mechanical travel	260±10 lap
	Starting torque	≤20mN.m
	Standard package	50 pcs /tube