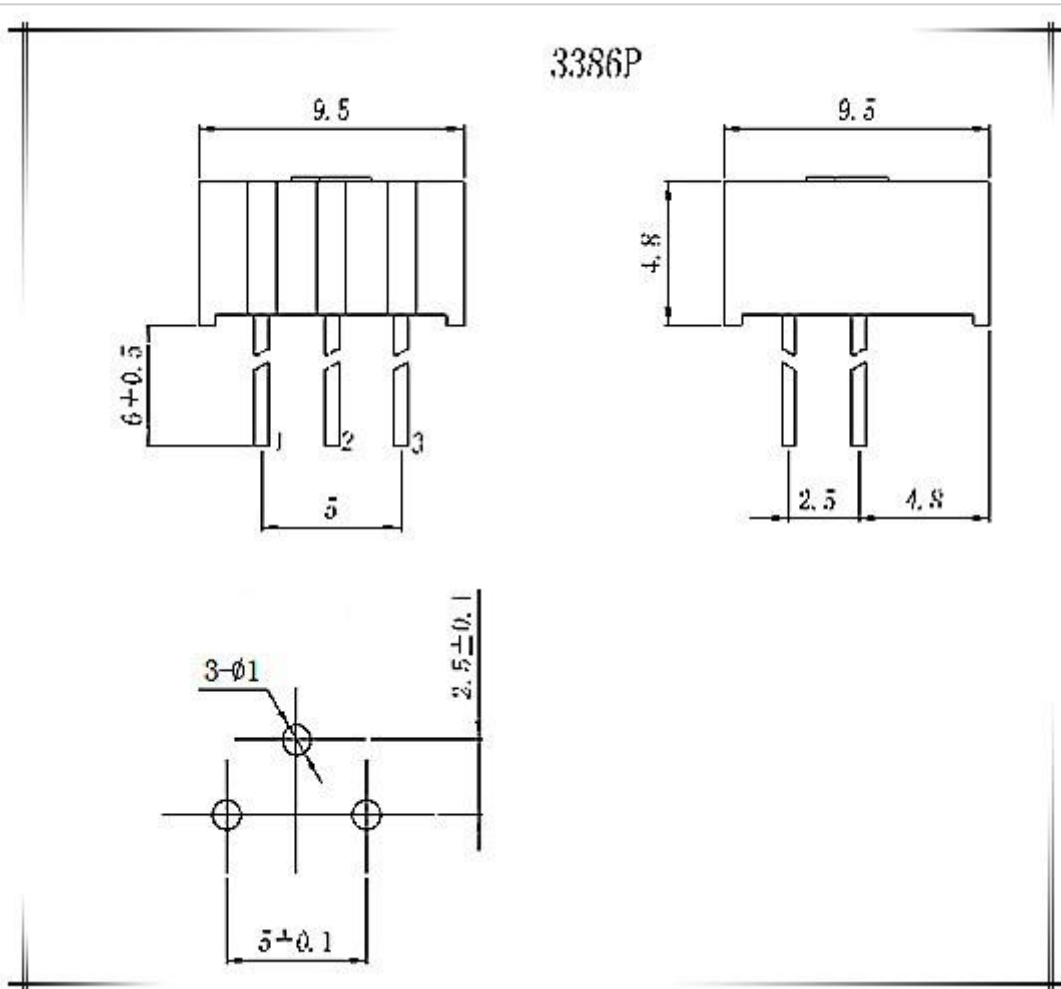


POTENTIOMETER 3386P SPECIFICATIONS



Electrical Characteristics	Range of nominal resistance	$10\Omega \sim 5M\Omega$
	Resistance tolerance	$\pm 10\%$
	Terminal resistance	$\leq \pm 1\%R$ or 2Ω
	Contact resistance variation (CRV)	$\leq \pm 1\%R$ or 3Ω
	Insulation resistance	$\geq 1G\Omega$ (100V AC)
	Withstand voltage	500V (DC or AC peak value)
	Effective electrical travel	$\geq 250^\circ$

Environment Characteristics	Rated power	0.5W (300V max)
	Temperature range	-55°C~+125°C
	TCR	$\pm 250 \times 10^{-6} / ^\circ C$
	Collision (390m/S2, 4000 times)	$\Delta R_{\leq} \pm 1\% R$
	Vibration (10-500HZ, 0.75mm, 6h)	$\Delta R_{\leq} \pm 1\% R$, $\Delta U_{ab} / U_{ac} \leq \pm 2\% R$, Electrical break $\leq 100 \mu S$
	Temperature variation (-55°C/30min, +125°C/30min, 5 cycles)	$\Delta R_{\leq} \pm 2\% R$, $\Delta U_{ab} / U_{ac} \leq \pm 2\% R$
	Climate category (IEC68-2-2)	$\Delta R_{\leq} \pm (5\% R + 0.1 \Omega)$, Insulation Resistance $\geq 100 M \Omega$
	Electrical endurance (0.5W, 1000h)	$\Delta R_{\leq} \pm (5\% R + 0.1 \Omega)$, CRV $\leq \pm 3\% R$ or 5Ω
	Mechanical endurance (200 cycles)	$\Delta R_{\leq} \pm (10\% R + 0.5 \Omega)$, CRV $\leq \pm 3\% R$ or 5Ω
	Steady damp heat (IEC68-2-3, Ca, 96h)	$\Delta R_{\leq} \pm (5\% R + 0.1 \Omega)$, Insulation Resistance $\geq 100 M \Omega$
Physical Characteristics	Total mechanical travel	$300^\circ \pm 10^\circ$
	Starting torque	$\leq 20 mN.m$
	Standard package	50 pcs /tube
		1000pcs/bunch