

FYL- 3004XXX1D

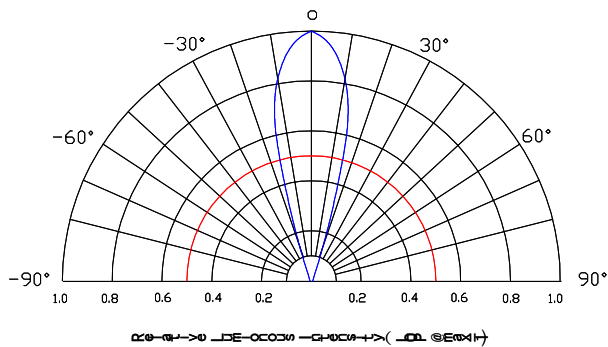
Features:

- General purpose leads
- RoHs compliant.

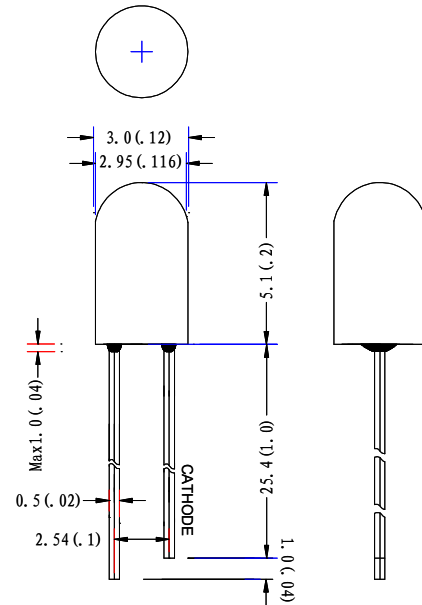
Descriptions:

- Dice material: GaP/GaAsP/InGaN/AlGaInP.
- Device Outline: $\Phi 3\text{mm}$ Round Without edge Type.

Radiation pattern.



Package configuration



- ◆ All dimensions are millimeters (inches)
- ◆ Tolerance is $\pm 0.25\text{mm}(.010\text{'})$ unless otherwise noted.

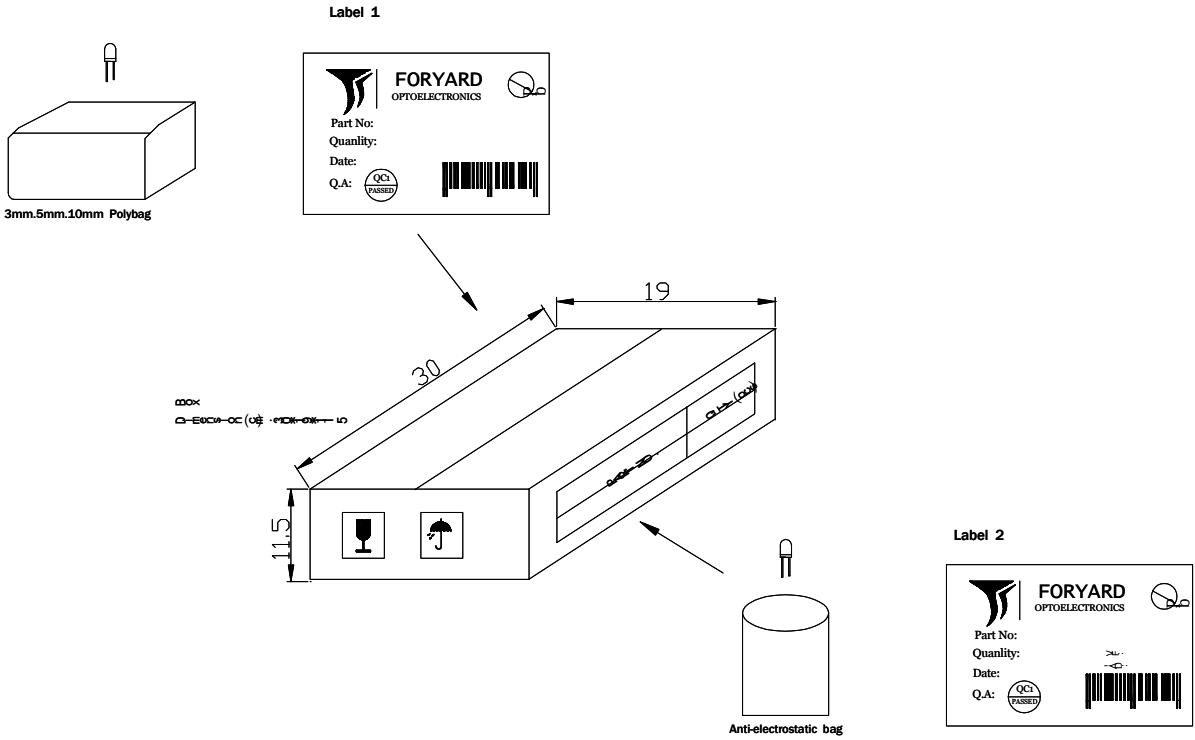
Absolute maximum ratings($T_a=25^\circ\text{C}$)

Parameter	MAX.	Unit
Continuous Forward Current	20	mA
Derating Linear From 50°C	0.4	mA/ $^\circ\text{C}$
Reverse Voltage	5	V
Operating Temperature Range	-30°C to $+80^\circ\text{C}$	
Storage Temperature Range	-40°C to $+100^\circ\text{C}$	
Lead Soldering Temperature[4mm(.157") From Body]	260°C for 5 Seconds	

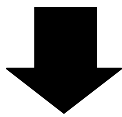
Optical Characteristics at TA = 25° C

Part Number	Lens Color	Wavelength (nm)	Intensity (mcd)	Angle 2θ 1/2
FYL-3004HD1D	Red Diffused	700	15	50
FYL-3004SRC1D	Water Clear	660	50	30
FYL-3004ED1D	Red Diffused	625	40	50
FYL-3004AD1D	Amber Diffused	610	45	50
FYL-3004YD1D	Yellow Diffused	588	45	50
FYL-3004GT1D	Green Transparent	568	50	30
FYL-3004LRC1D	Water Clear	660	1100	30
FYL-3004SURC1D	Water Clear	630	2000	30
FYL-3004NURC1D	Water Clear	630	3000	30
FYL-3004LURC1D	Water Clear	630	4000	30
FYL-3004SUAC1D	Water Clear	610	2000	30
FYL-3004SUYC1D	Water Clear	588	2300	30
FYL-3004MUGC1D	Water Clear	568	1800	30
FYL-3004PGC1D	Water Clear	520	7500	30
FYL-3004BGC1D	Water Clear	505	7500	30
FYL-3004UBC1D	Water Clear	470	2300	30
FYL-3004VC1D	Water Clear	410	90(mW)	30
FYL-3004UWC1D	Water Clear	x:0.29 Y:0.30 / 9500k	5000	30

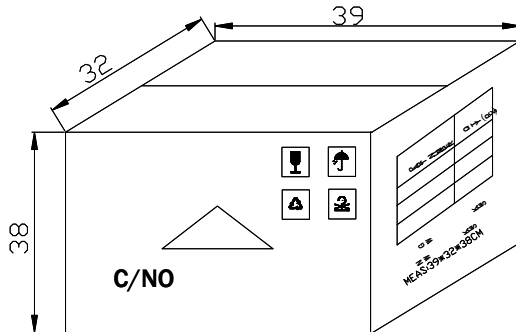
LAMP PACKING.



DEVICE	QTY/polybag(pcs)	Polybag/box A	Fig
5mm(T-1 3/4)	1000	8 bags	Label 1
3mm(T-1)	1000	10 bags	Label 1
10mm(T-1)	250	8 bags	Label 1
Blue/Green/White	500pcs	8 bags	Label 2



CARTON
Dimension(cm):39*32*38



6 Boxes/Carton
5mm:48,000pcs
3mm:60,000pcs
10mm:12,000pcs
Blue/Pure Green/bluish Green
/White:24,000pcs