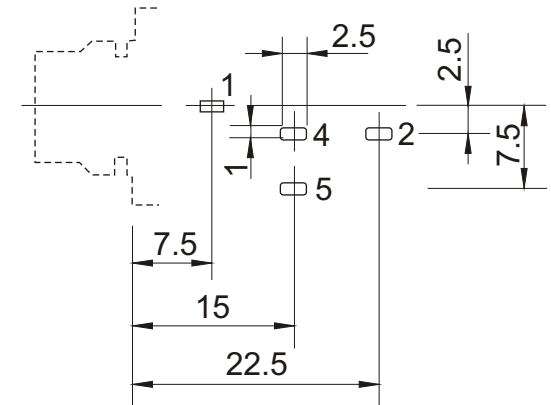
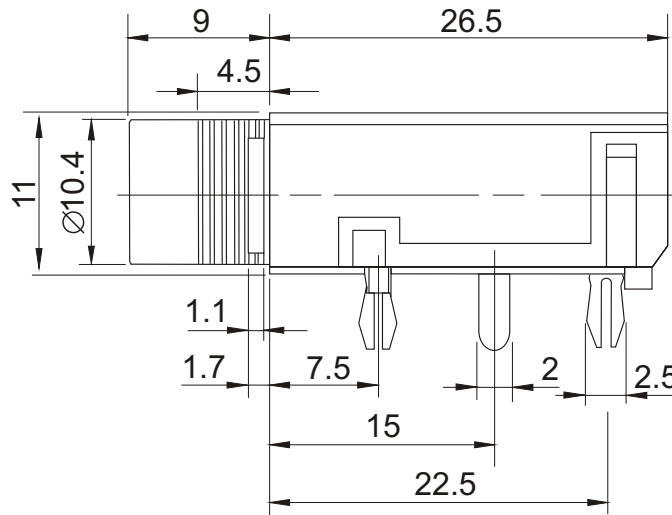
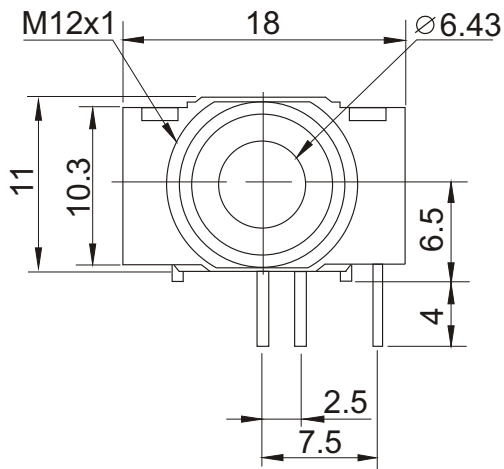
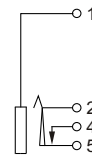


REVISIONS				
LTR	DESCRIPTION	DATE	REVISED	APPROVED



P.C.B LAND PATTERN

Specifications:
 Rating:DC50V 1A
 Force:5-35N
 Contact resistance:
 Less than30mΩ
 Insulation resistance:
 Over100MΩ on DC 500V measured.
 Voltage withstand:
 AC 500V For 1minute,



SCHEMATIC

7	SEPARATOR	1	POM	94V2	BLACK	
6	T TERMINAL-R	1	BRONZE	T=0.35	MB:Cu,Ag	No.5
5	B TERMINAL-R		BRASS	Y=0.4	MB:Cu,Ag	No.4
4	TIP SPPING	1	BRONZE	Y=0.3	MB:Cu,Ag	No.2
3	EARTH SPPING	1	BRONZE	Y=0.3	MB:Cu,Ag	No.1
2	COVER	1	PBT	94HB	BLACK	
1	HOUSING	1	PBT	94HB	BLACK	
LTR	PART NAME		MATERIAL		FINISH	REMARK

DSND	ZHANGGUOJING	DATE	2015-01-10	TOLERANCE X.X ±0.3 X.XX ±0.2 X.XXX ±0.1 ANGLE ±3.0°	SCALE 2/1	NAME	PHONE JACK
CHKD		DATE			UNIT:mm	CAT.NO.	
APPD		DATE					
KLS ELECTRONIC CO., LTD						L-KLS1-TG6.3-014	