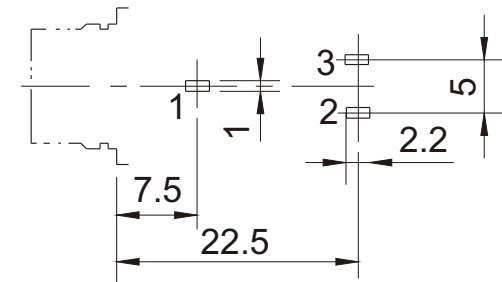
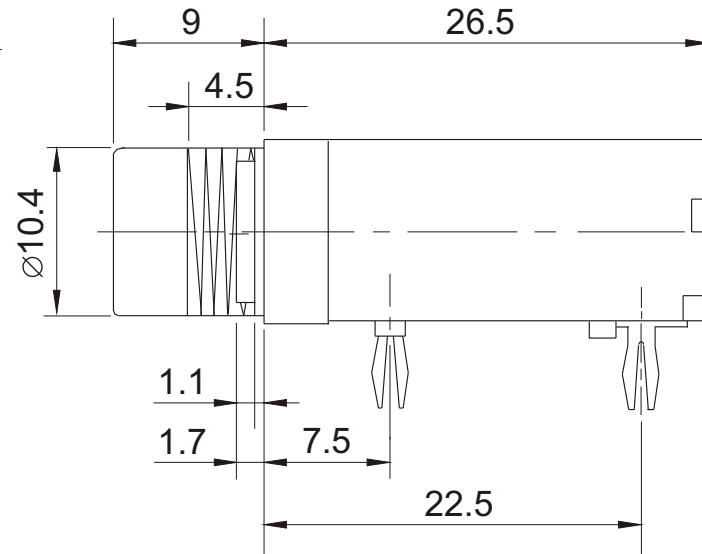
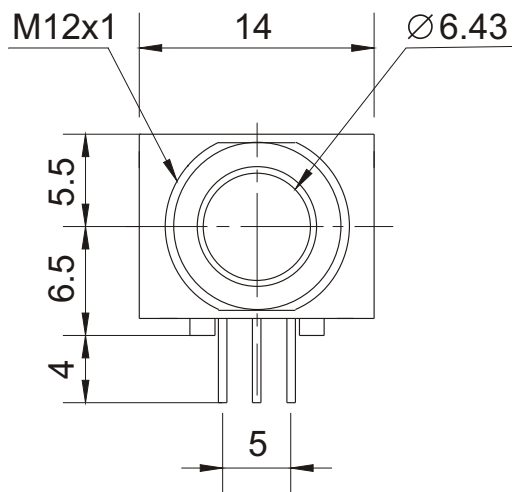
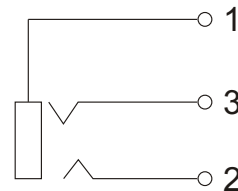


| REVISIONS | | | | |
|-----------|-------------|------|---------|----------|
| LTR | DESCRIPTION | DATE | REVISED | APPROVED |
| | | | | |



P.C.B LAND PATTERN

Specifications:
 Rating:DC50V 1A
 Force:5-35N
 Contact resistance:
 Less than30mΩ
 Insulation resistance:
 Over100MΩ on DC 500V measured.
 Voltage withstand:
 AC 500V For 1minute,



SCHEMATIC

| 6 | SLEEVE | 1 | BRASS | MB:Ni | |
|-----|--------------|-----|--------------|----------|--------|
| 5 | T TERMINAL-R | 1 | BRONZE Y=0.4 | MB:Cu,Ag | No.3 |
| 4 | TIP SPPING | 1 | BRONZE Y=0.4 | MB:Cu,Ag | No.2 |
| 3 | EARTH SPPING | 1 | BRONZE Y=0.3 | MB:Cu,Ag | No.1 |
| 2 | COVER | 1 | ABS 94HB | RED | |
| 1 | HOUSING | 1 | ABS 94HB | BLACK | |
| LTR | PART NAME | QTY | MATERIAL | FINISH | REMARK |

| | | | | | | | | |
|--------------------------------|--------------|------|------------|-------------|-----------|---------|-------------------|--|
| DSND | ZHANGGUOJING | DATE | 2013-09-20 | TOLERANCE | SCALE 2/1 | NAME | PHONE JACK | |
| CHKD | | DATE | | X.X ±0.3 | UNIT:mm | CAT.NO. | | |
| APPD | | DATE | | X.XX ±0.2 | | | | |
| | | DATE | | X.XXX ±0.1 | | | | |
| | | | | ANGLE ±3.0° | | | | |
| KLS ELECTRONIC CO., LTD | | | | | | | L-KLS1-TG6.3-009A | |