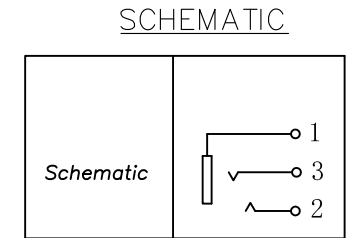
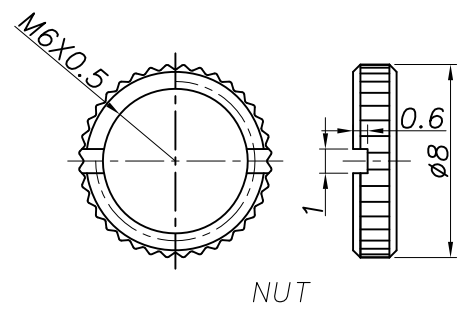
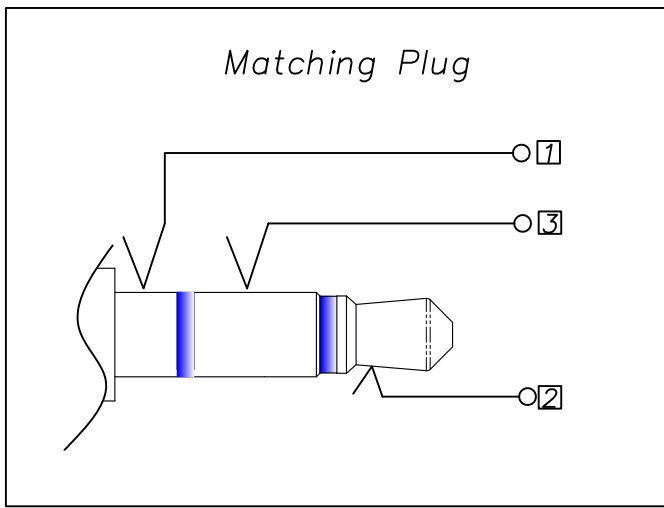
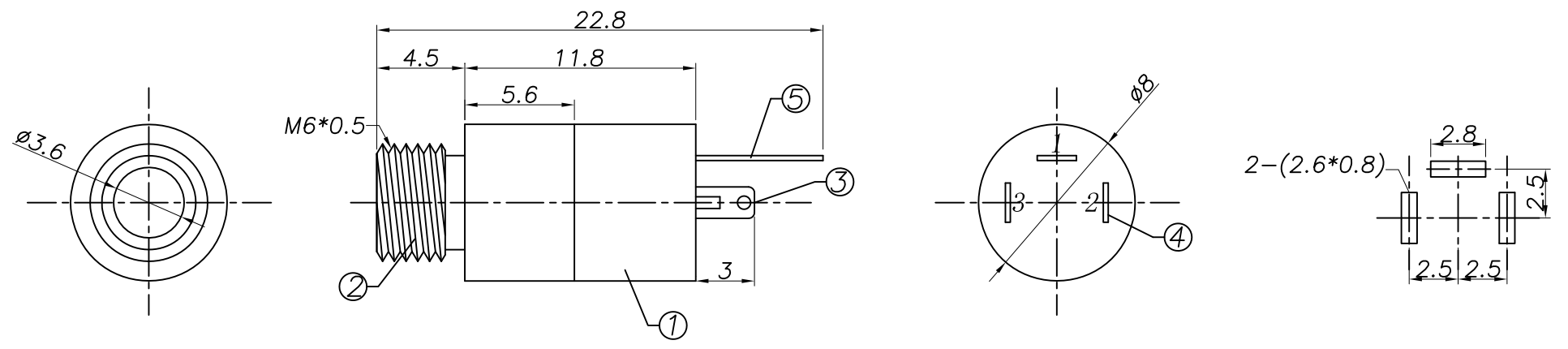


REV. LTR.	DESCRIPTION	SIGN	DATE



SPECIFICATION
 1. Rating : DC 30V 0.5A;
 2. Contact resistance: $\leq 30m\Omega$;
 3. Insulation resistance: $\geq 100M\Omega$ (DC250V);
 4. Withstand voltage: 500VAC ;
 5. Insertion and extraction force: 3-30N;
 6. life test: 5,000 cycles.

⑤	Earth terminal	1	Phosphor bronze	镀银
④	Tip spring	1	Phosphor bronze	镀银
③	Ring spring	1	Brass	镀银
②	Bushing	1	Brass	镀铜锡
①	Housing	1	PBT	
NO.	DESCRIPTION	QTY	MATERIAL	PLATING
UNIT:MM		TYPE:	MODEL NO:	PAPER NO: A4
		PHONE JACK	L-KLS1-SPJ3.5-011	PAGE 1 OF 1
DESIGNER BY:				TOLERANCE
CHECK BY:				ANGLES
APPROVED BY:				SCALE
				VER
				± 0.2
				$\pm 2'$
				FULL
				1

KLS ELECTRONIC CO., LTD