

## Stereo Jack Series

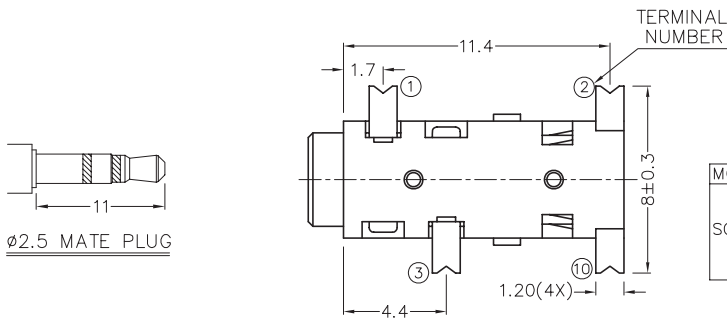
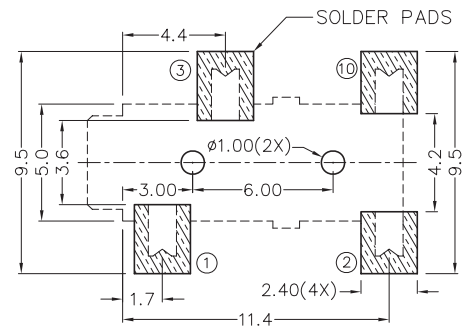
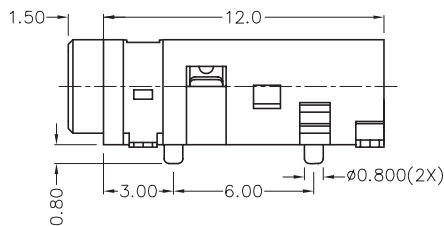
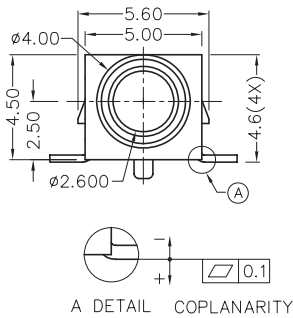
### KLS1-TPJ2.5-001 (SMD Stereo Jack)

**Technical parameters:**

Rated voltage: DC 30 V  
 Rated current: 0.5 A  
 Contact resistance: 0.03Ω, max  
 Insulation resistance: 100MΩ, min  
 Pressure: AC500V (50Hz) / 1 minute  
 Insertion Force :2-20 N  
 Life: 50000 times  
 Operating Temperature:-30°C ~ 70°C

**Material:**

Terminal 1 :Copper Alloy  
 Terminal 2 : Copper Alloy  
 Terminal 3 : Copper Alloy  
 Terminal 10 : Barss  
 Housing : PA6T



MODEL NO.	TSJ2.5-001B	TSJ2.5-001A	TSJ2.5-001
SCHEMATIC			

## ORDER INFORMATION

Product NO.: KLS1-TPJ2.5-001A

