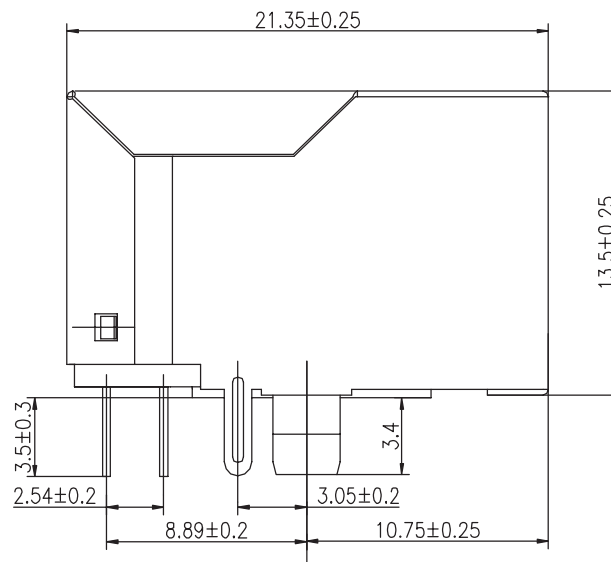
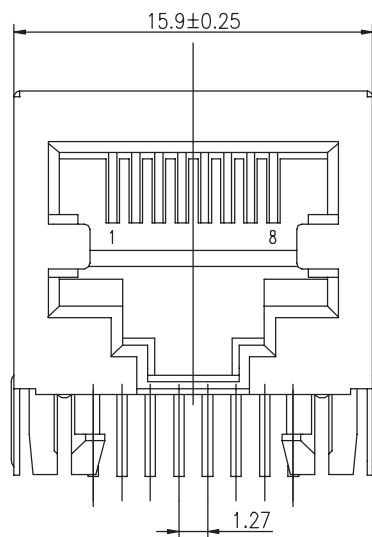
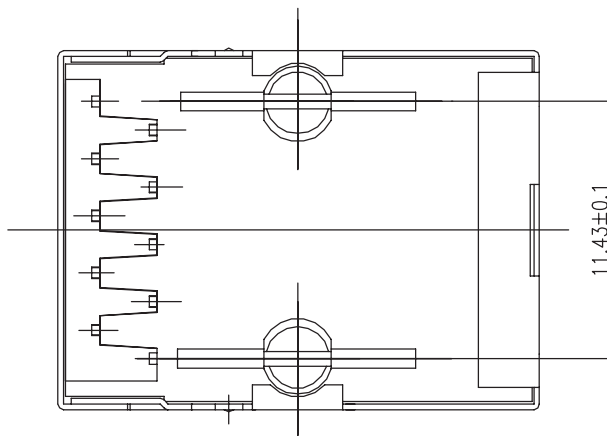
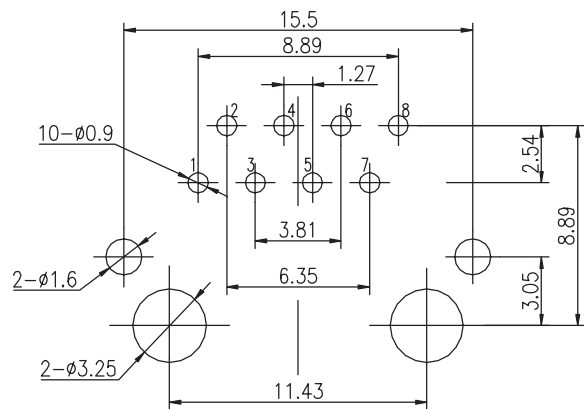


1

2



TOLERANCES UNLESS OTHERWISE SPECIFIED :
 0~10 \pm 0.15, 10~20 \pm 0.2, 20~40 \pm 0.25,
 40~70 \pm 0.3, \geq 70 \pm 0.4

KLS ELECTRONIC CO.,LTD.

Designed

MATERIAL

DESCRIPTION

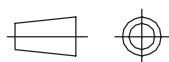
KLS12-TL001

Mark

Date

Checked

FIRST ANGLE PROJECTION



CUSTOMER

MODEL NO.

Approved

SCALE

3:1

UNIT

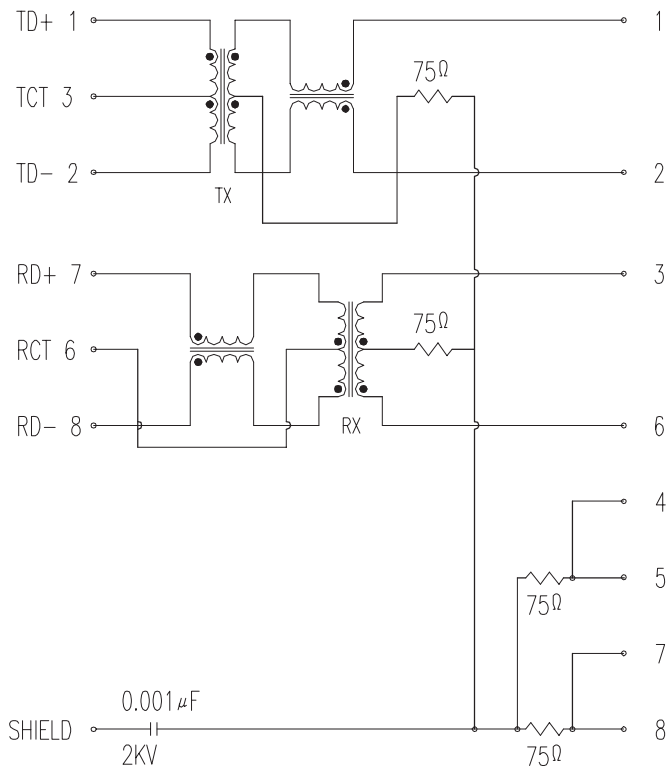
mm

DWG NO.

REV.

1

2



SPECIFICATIONS

Meets IEEE802.3 specification
 CURRENT RATING: 1.5A
 VOLTAGE RATING: 125V AC
 ELECTRICAL: INSULATION RESISTANCE: 500MΩ Mini
 WITHSTAND VOLTAGE: AC 1500 V RMS 50Hz OR 60Hz 1 Min
 CONTACT RESISTANCE: 20mΩ Max
 Inductance: 350uH minimum OCL with 8mA bias current
 MECHANICAL: INSERTION FORCE: 2 CONTACTS----350g 4 CONTACTS----500g
 6 CONTACTS----750g 8 CONTACTS----900g
 10 CONTACTS----1050g
 RETENTION STRENGTH: 7.7Kg BETWEEN JACK AND PLUG
 DURABILITY: 750 MATING CYCLES Mini
 HOUSING: 1) GLASS FILLED PA66 (UL 94V-0)
 2) GLASS FILLED PA46 (UL 94V-0)
 3) GLASS FILLED PBT (UL 94V-0)
 MATERIAL: SPRING WIRE: 1) 0.45mm DIA PHOSPHOR BRONZE GOLD PLATING OVER NICKEL
 2) 0.35mm THICKNESS PHOSPHOR BRONZE ALLOY SELECTIVE GOLD PLATING OVER NICKEL
 SHIELDING: 0.24mm THICKNESS COPPER ALLOY WITH TIN PLATED
 GOLD PLATING: 3μ", 6μ", 15μ", 30μ", 50μ"
 WORKING TEMPERATURE: -40℃~70℃
 TOLERANCES UNLESS OTHERWISE SPECIFIED : 0~10±0.15, 10~20±0.2, 20~40±0.25, 40~70±0.3, >70±0.4

ELECTRICAL SPECIFICATIONS AT 25 °C

Insertion Loss dB max	Return Loss dB min			Crosstalk(db TYP)			Common Mode Rejection (dB TYP)		Hipot(vrms)
	1-30MHz	30- 60MHz	60- 80MHz	1-30MHz	30- 60MHz	60- 80MHz	1-50MHz	50-150MHz	
-1.0	-18	-16	-12	-40	-35	-30	-30	-20	1500

KLS ELECTRONIC CO.,LTD.

Des igned

MATERIAL

DESCRIPTION

KLS12-TL001

Mark

Date

Checked

Approved

SCALE

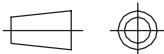
UNIT

mm

DWG NO.

REV.

FIRST ANGLE PROJECTION



CUSTOMER

MODEL NO.