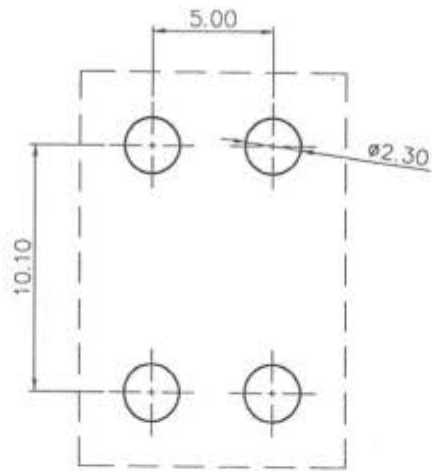
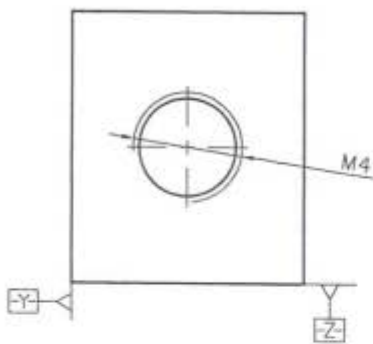


REVISION RECORD

REV	ECN	DESCRIPTION	DRFT	DATE



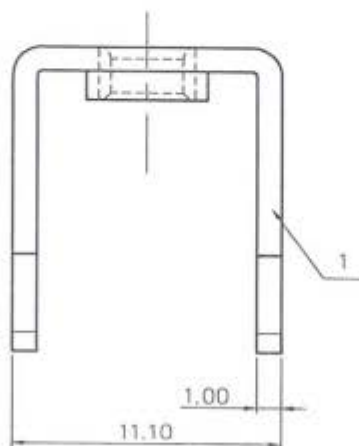
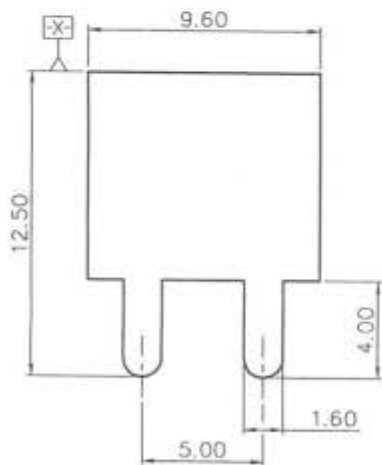
PCB LAYOUT

NOTES:

1. Rated current : 40A
2. Torque value : M4, 10.53lb.in
3. Dimension shall be interpreted per ASME Y14.5-2009
4. Undimensioned tolerances:

Pitch range in mm		Nominal dimension range in mm				-	∩	D
TO	Over	TO	Over	TO	Over	TO	Over	TO
6	6	10	30	60	100	150	0.1/10	<
±0.15	±0.20	±0.30	±0.30	±0.50	±0.70	±1.00	±1.30	±2'

5. RoHS Compliance



K31 - 00A (H)
 (Series No.) (RoHS) 00A - (Standard)

奇震寄
 2016.12.08
 (仅限内部使用,对外无效)

ITEM	NAME OF PART	MATERIAL	NOTES
1	Pin header	Copper alloy	Sn Plated

DETACHED LISTS	PART NO.:	/		
	APPO:	AXXON 12/9-16		
	CHKD:	XXY 12/05/16"		
	DRFT:	XXY 08/25/16"		
NAME:		NINGBO DEGSON ELECTRICAL CO., LTD		
DRAWING NO.:		K31-001		
TITLE:		CUSTOMER DRAWING		
DO NOT SCALE DRAWING		SCALE	1:1	



THIRD ANGLE PROJECTION

MM (INCH)

DO NOT SCALE DRAWING

SCALE 1:1