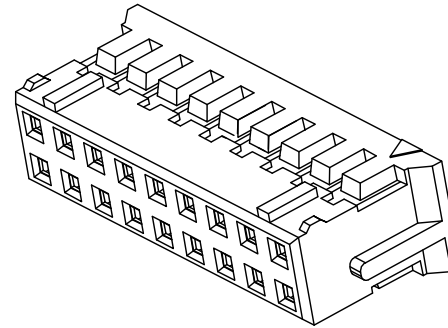
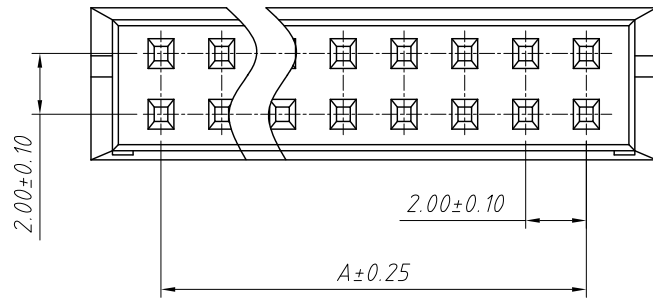
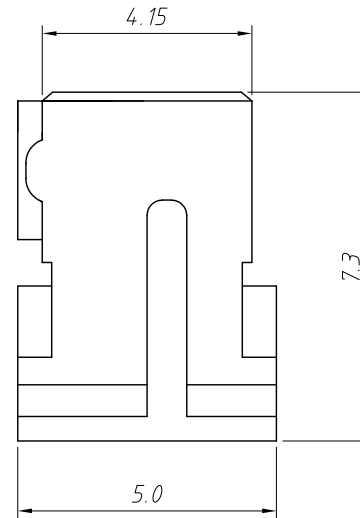
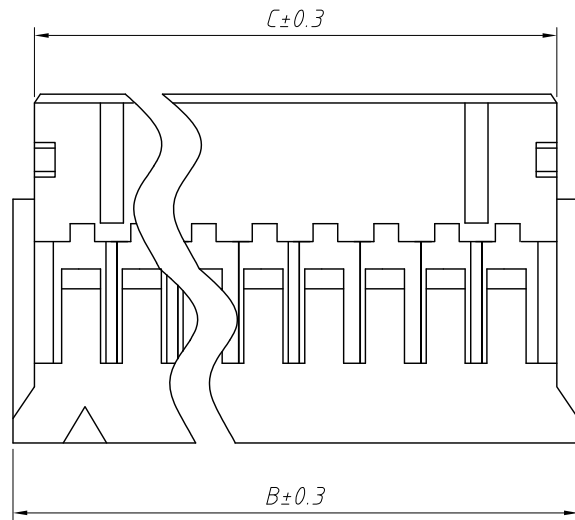


1
RoHS Compliance



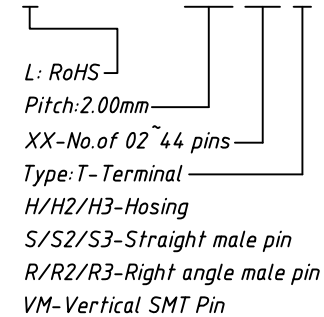
Pin	Dimensions(mm)		
	A	B	C
02	2.00	6.00	4.40
03	4.00	8.00	6.40
04	6.00	10.00	8.40
05	8.00	12.00	10.40
06	10.00	14.00	12.40
07	12.00	16.00	14.40
08	14.00	18.00	16.40
09	16.00	20.00	18.40
10	18.00	22.00	20.40
11	20.00	24.00	22.40
12	22.00	26.00	24.40
13	24.00	28.00	26.40
14	26.00	30.00	28.40
15	28.00	32.00	30.40
16	30.00	34.00	32.40
17	32.00	36.00	34.40
18	34.00	38.00	36.40
19	36.00	40.00	38.40
20	38.00	42.00	40.40
21	40.00	44.00	42.40
22	42.00	46.00	44.40



Material:
Housing:PA66,UL94V-0
Electrical Characteristics:
Rated Current:3.0AMP
Voltage rating:250V AC,DC
Temperature range:-25°C ~ + 85°C
Insulator Resistance:1000MΩ Min
Withstand Voltage:800V AC/DC
Contact Resistance:20mΩ Max

Order Information:

L-KLS1-XA1-2.00-XX-H

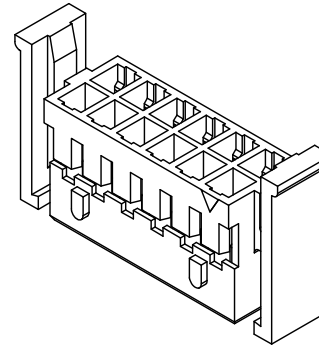
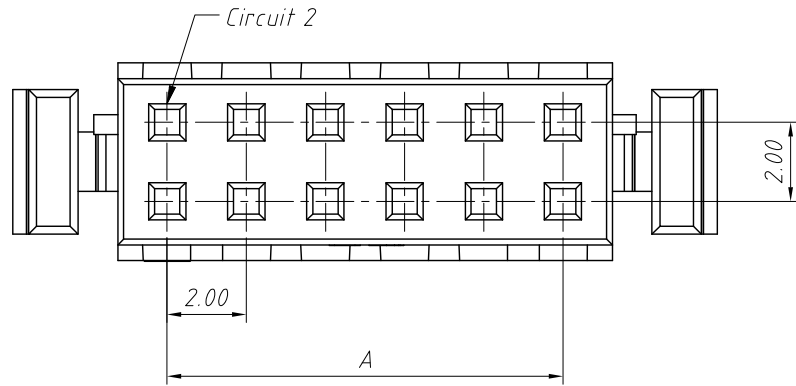


ANGLE TOLERANCE	PROJECTION	Description:
±3°		2.00mm Pitch JST PHD type Double Wire to Board Connector
GENERAL TOLERANCE	UNITS	mm
x.x ±0.30	SHEET SIZE	A4
x.xx ±0.20	Draw:	Daniel 2021-01-11
x.xxx ±0.10	Check:	Daniel 2021-01-11

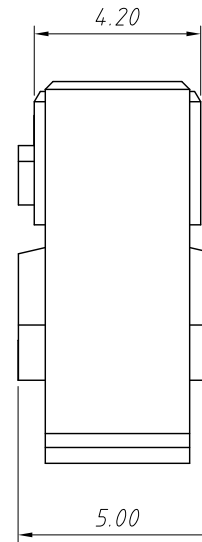
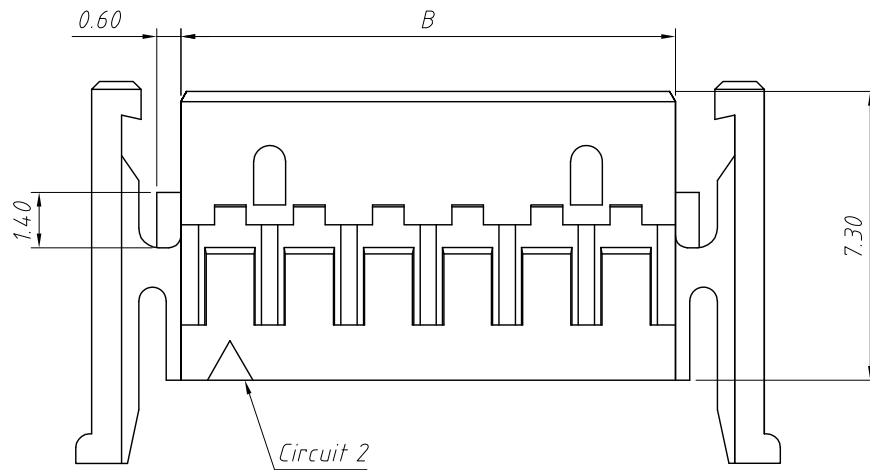


NingBo KLS ELECTRONIC CO.,LTD.

1 RoHS Compliance



Pin	Dimensions(mm)	
	A	B
02	2.00	4.50
03	4.00	6.50
04	6.00	8.50
05	8.00	10.50
06	10.00	12.50
07	12.00	14.50
08	14.00	16.50
09	16.00	18.50
10	18.00	20.50
11	20.00	22.50
12	22.00	24.50
13	24.00	26.50
14	26.00	28.50
15	28.00	30.50
16	30.00	32.50
17	32.00	34.50
18	34.00	36.50
19	36.00	38.50
20	38.00	40.50



Material:
Housing: PA66, UL 94V-0, Color: White
Electrical Characteristics:
Rated Current: 3.0AMP
Voltage rating: 250V AC, DC
Temperature range: -25°C ~ +85°C
Insulator Resistance: 1000MΩ Min
Withstand Voltage: 800V AC/DC
Contact Resistance: 20mΩ Max

Order Information:
L-KLS1-XA1-2.00-XX-H2

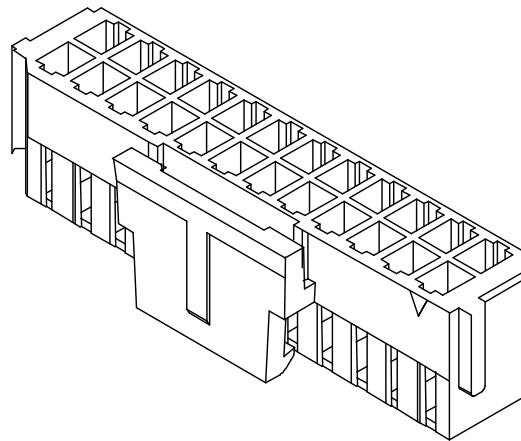
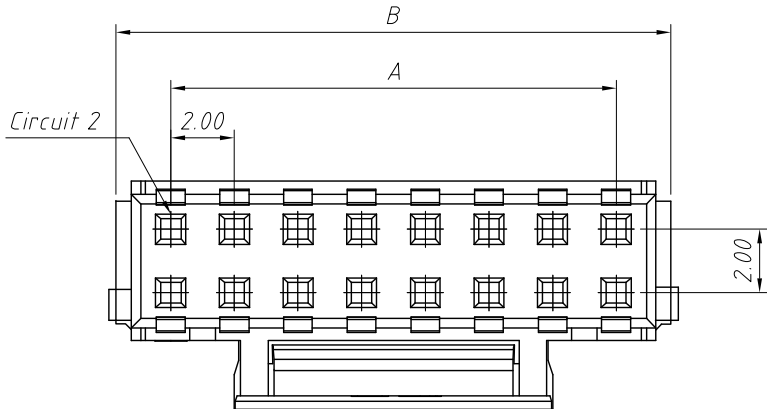
L: RoHS
Pitch: 2.00mm
XX-No. of 02 ~ 40 pins
Type: T-Terminal
H/H2/H3-Hosing
S/S2/S3-Straight mate pin
R/R2/R3-Right angle mate pin
VM-Vertical SMT Pin

ANGLE TOLERANCE	PROJECTION		Description:
±3°			2.00mm Pitch JST PHD type Double Wire to Board Connector
GENERAL TOLERANCE	UNITS	mm	KLS P/N:
x.x ±0.30	SHEET SIZE	A4	L-KLS1-XA1-2.00-XX-H2
x.xx ±0.20	Draw:	Daniel	2021-01-11
x.xxx ±0.10	Check:	Daniel	2021-01-11

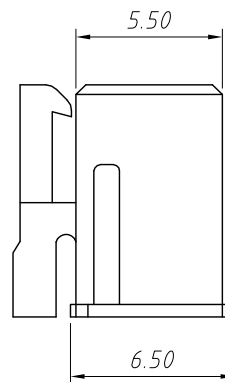
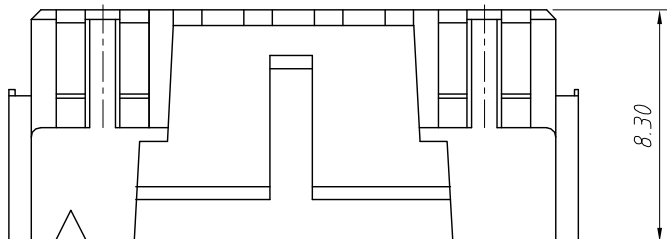


NingBo KLS ELECTRONIC CO.,L TD.

1 RoHS Compliance



Pin	Dimensions(mm)	
	A	B
04	6.00	9.90
05	8.00	11.90
06	10.00	13.90
07	12.00	15.90
08	14.00	17.90
09	16.00	19.90
10	18.00	21.90
11	20.00	23.90
12	22.00	25.90
13	24.00	27.90
14	26.00	29.90
15	28.00	31.90
16	30.00	33.90
17	32.00	35.90
18	34.00	37.90
19	36.00	39.90
20	38.00	41.90



Material:
 Housing:PA66,UL 94 V-0,Color:Natural
Electrical Characteristics:
 Rated Current:3.0AMP
 Voltage rating:250V AC,DC
 Temperature range:-25°C ~ + 85°C
 Insulator Resistance:1000MΩ Min
 Withstand Voltage:800V AC/DC
 Contact Resistance:20mΩ Max

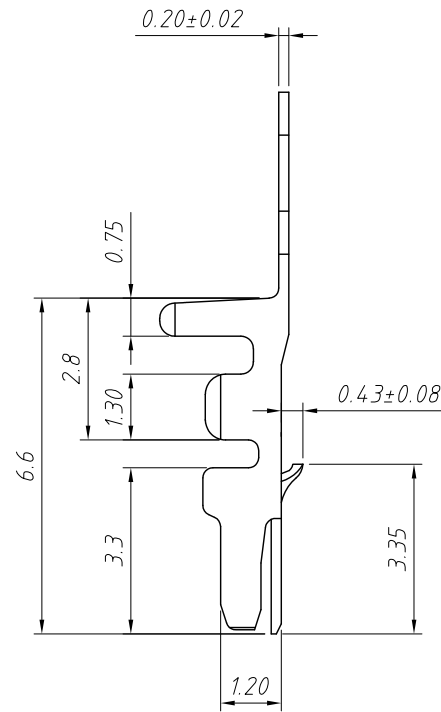
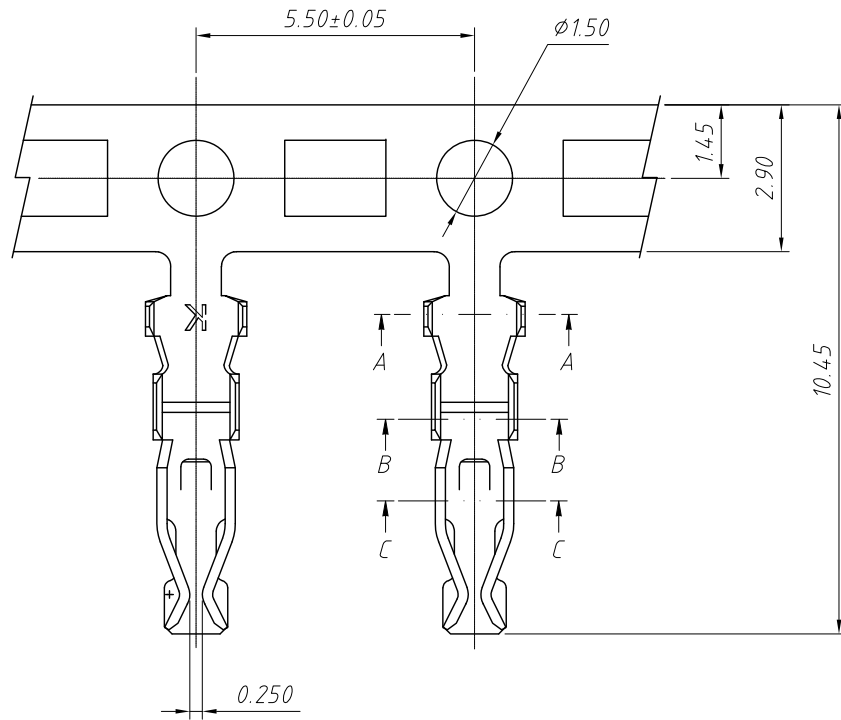
Order Information:
 L-KLS1-XA1-2.00-XX-H3
 L: RoHS
 Pitch:2.00mm
 XX-No.of 08~40 pins
 Type:T-Terminal
 H/H2/H3-Hosing
 S/S2/S3-Straight male pin
 R/R2/R3-Right angle male pin
 VM-Vertical SMT Pin

ANGLE TOLERANCE	PROJECTION		Description:
±3°			2.00mm Pitch JST PHD type Double Wire to Board Connector
GENERAL TOLERANCE	UNITS	mm	KLS P/N:
x.x ±0.30	SHEET SIZE	A4	L-KLS1-XA1-2.00-XX-H3
x.xx ±0.20	Draw:	Daniel	2021-01-11
x.xxx ±0.10	Check:	Daniel	2021-01-11



NingBo KLS ELECTRONIC CO.,L TD.

1 RoHS Compliance

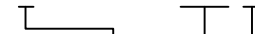


Material:
 Terminal: Phosphor Bronze
 Plating: Tin plated
 Applicable wires: AWG #24 ~ #28
 Insulation O.D.: 0.90-1.40mm Max
 Qty/reel: 10000 pcs

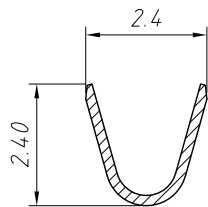
Electrical Characteristics:
 Rated Current: 3.0AMP
 Voltage rating: 250V AC, DC
 Temperature range: $-25^{\circ}\text{C} \sim +85^{\circ}\text{C}$
 Insulator Resistance: 1000M Ω Min
 Withstand Voltage: 800V AC/DC
 Contact Resistance: 20m Ω Max

Order Information:

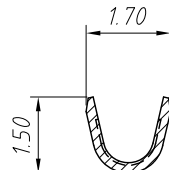
L-KLS1-XA1-2.00-T



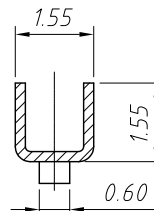
L: RoHS
 Pitch: 2.00mm
 Type: T-Terminal
 H/H2/H3-Hosing
 S/S2/S3-Straight male pin
 R/R2/R3-Right angle male pin
 VM-Vertical SMT Pin



A-A



B-B



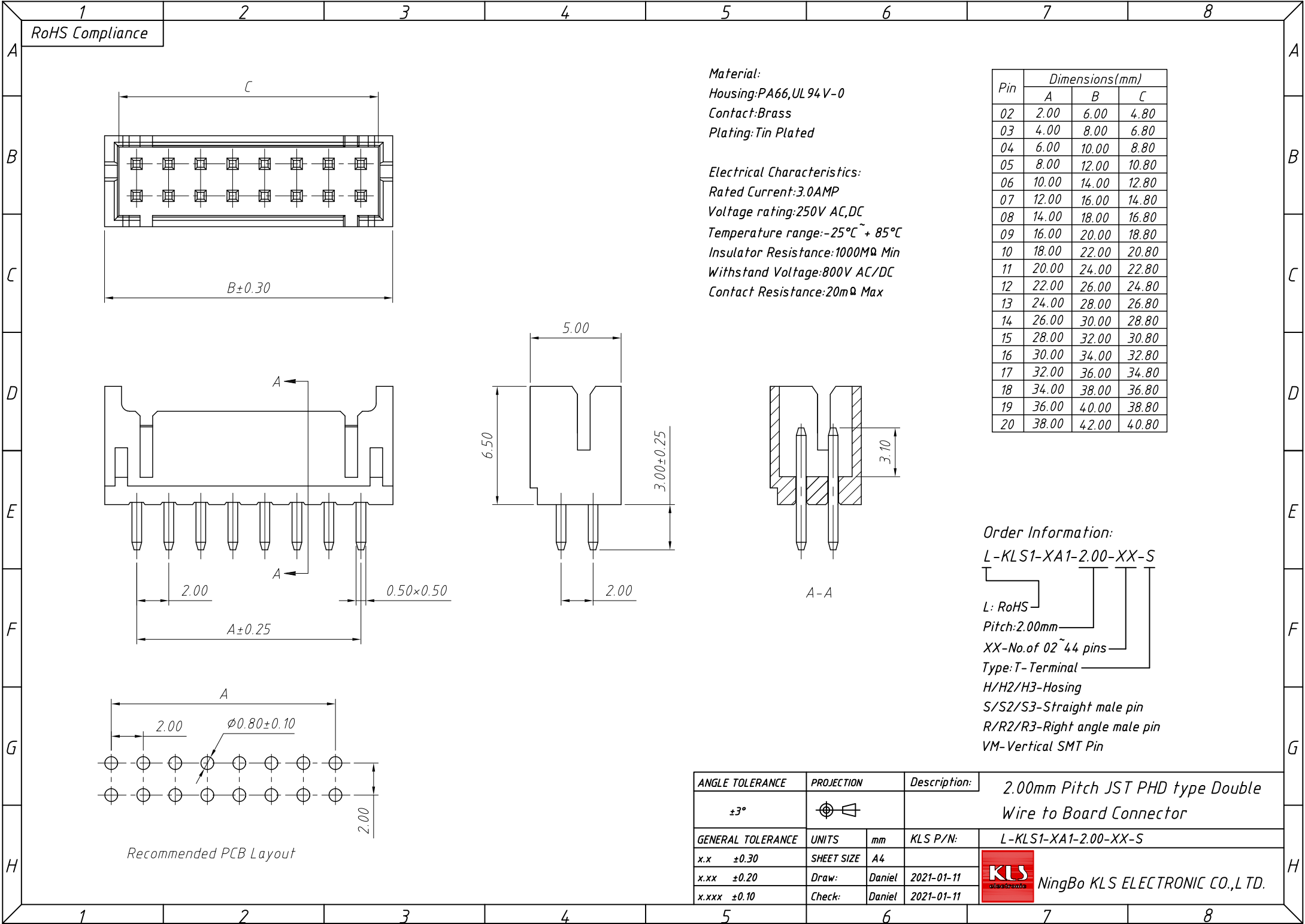
C-C

ANGLE TOLERANCE	PROJECTION	Description:	2.00mm Pitch JST PHD type Double Wire to Board Connector
$\pm 3^{\circ}$			
GENERAL TOLERANCE	UNITS	mm	KLS P/N: L-KLS1-XA1-2.00-T
x.x ± 0.30	SHEET SIZE	A4	
x.xx ± 0.20	Draw:	Daniel	2021-01-11
x.xxx ± 0.10	Check:	Daniel	2021-01-11



NingBo KLS ELECTRONIC CO.,L TD.

1
RoHS Compliance



Material:
Housing: PA66, UL 94 V-0
Contact: Brass
Plating: Tin Plated

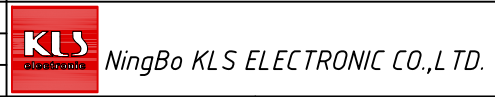
Electrical Characteristics:
Rated Current: 3.0AMP
Voltage rating: 250V AC, DC
Temperature range: -25°C ~ +85°C
Insulator Resistance: 1000MΩ Min
Withstand Voltage: 800V AC/DC
Contact Resistance: 20mΩ Max

Pin	Dimensions(mm)		
	A	B	C
02	2.00	6.00	4.80
03	4.00	8.00	6.80
04	6.00	10.00	8.80
05	8.00	12.00	10.80
06	10.00	14.00	12.80
07	12.00	16.00	14.80
08	14.00	18.00	16.80
09	16.00	20.00	18.80
10	18.00	22.00	20.80
11	20.00	24.00	22.80
12	22.00	26.00	24.80
13	24.00	28.00	26.80
14	26.00	30.00	28.80
15	28.00	32.00	30.80
16	30.00	34.00	32.80
17	32.00	36.00	34.80
18	34.00	38.00	36.80
19	36.00	40.00	38.80
20	38.00	42.00	40.80

Order Information:
L-KLS1-XA1-2.00-XX-S

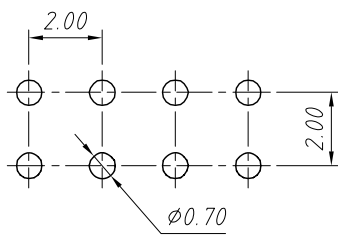
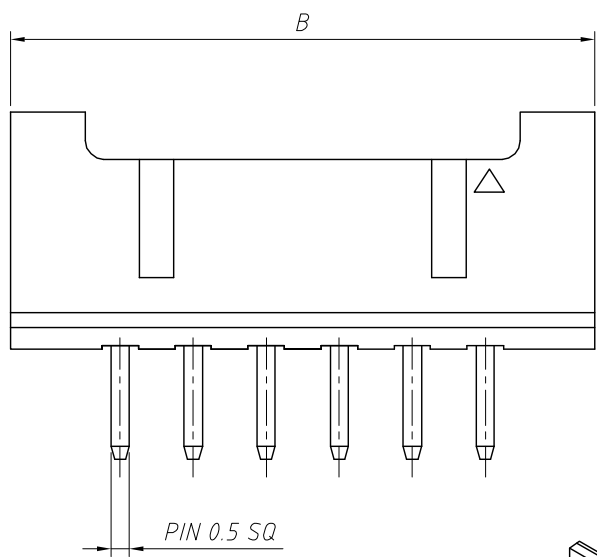
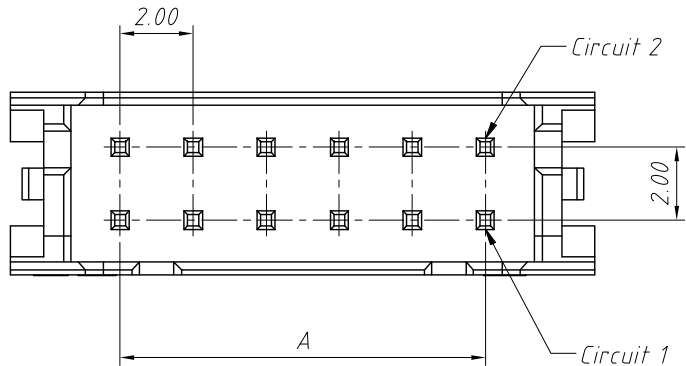
L: RoHS
Pitch: 2.00mm
XX-No. of 02 ~ 44 pins
Type: T-Terminal
H/H2/H3-Hosing
S/S2/S3-Straight mate pin
R/R2/R3-Right angle mate pin
VM-Vertical SMT Pin

ANGLE TOLERANCE	PROJECTION	Description:	2.00mm Pitch JST PHD type Double Wire to Board Connector
±3°			
GENERAL TOLERANCE	UNITS	mm	KLS P/N:
x.x ±0.30	SHEET SIZE	A4	L-KLS1-XA1-2.00-XX-S
x.xx ±0.20	Draw:	Daniel	2021-01-11
x.xxx ±0.10	Check:	Daniel	2021-01-11

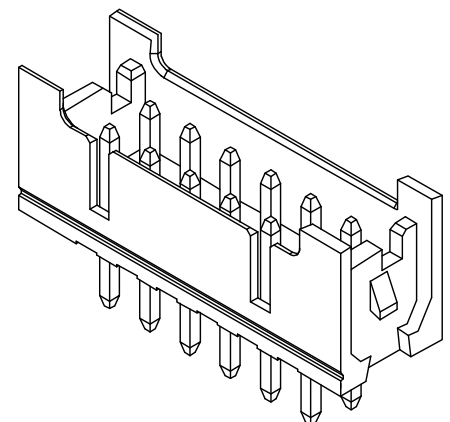


Recommended PCB Layout

RoHS Compliance



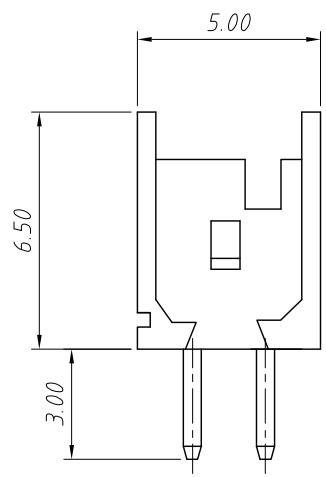
Recommended PCB Layout



Material:
 Housing: PA66, UL 94 V-0
 Contact: Brass
 Plating: Tin Plated

Electrical Characteristics:
 Rated Current: 3.0AMP
 Voltage rating: 250V AC, DC
 Temperature range: -25°C ~ + 85°C
 Insulator Resistance: 1000MΩ Min
 Withstand Voltage: 800V AC/DC
 Contact Resistance: 20mΩ Max

Pin	Dimensions (mm)	
	A	B
02	2.00	8.00
03	4.00	10.00
04	6.00	12.00
05	8.00	14.00
06	10.00	16.00
07	12.00	18.00
08	14.00	20.00
09	16.00	22.00
10	18.00	24.00
11	20.00	26.00
12	22.00	28.00
13	24.00	30.00
14	26.00	32.00
15	28.00	34.00
16	30.00	36.00
17	32.00	38.00
18	34.00	40.00
19	36.00	42.00
20	38.00	44.00



Order Information:
 L-KLS1-XA1-2.00-XX-S2

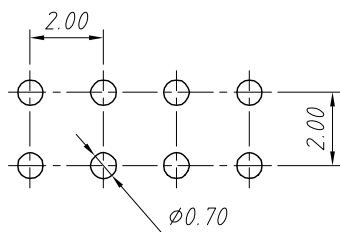
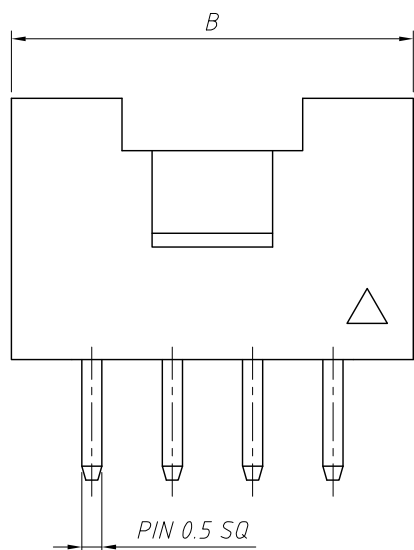
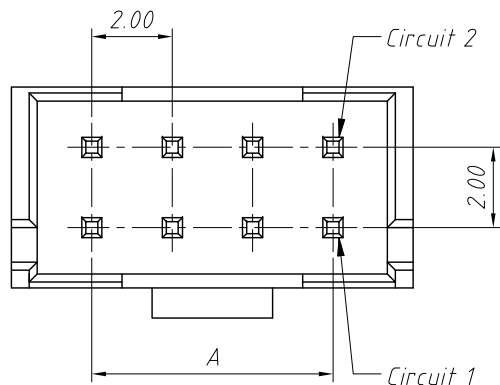
L: RoHS
 Pitch: 2.00mm
 XX-No. of 02 ~ 40 pins
 Type: T-Terminal
 H/H2/H3-Hosing
 S/S2/S3-Straight male pin
 R/R2/R3-Right angle male pin
 VM-Vertical SMT Pin

ANGLE TOLERANCE	PROJECTION	Description:
±3°		2.00mm Pitch JST PHD type Double Wire to Board Connector
GENERAL TOLERANCE	UNITS	mm
x.x ±0.30	SHEET SIZE	A4
x.xx ±0.20	Draw:	Daniel 2021-01-11
x.xxx ±0.10	Check:	Daniel 2021-01-11

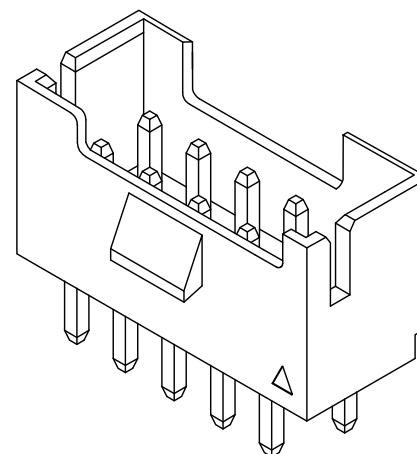
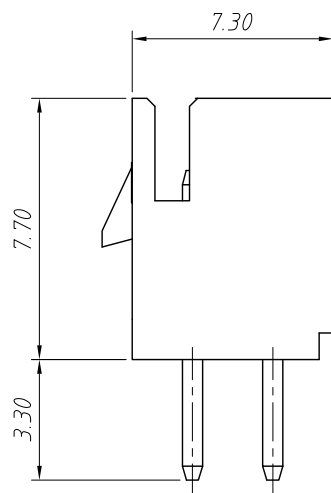
L-KLS1-XA1-2.00-XX-S2

NingBo KLS ELECTRONIC CO.,LTD.

RoHS Compliance



Recommended PCB Layout



Material:

Housing: PA46, UL 94 V-0

Contact: Brass

Plating: Tin Plated

Electrical Characteristics:

Rated Current: 3.0 AMP

Voltage rating: 250V AC, DC

Temperature range: -25°C ~ +85°C

Insulator Resistance: 1000M Ω Min

Withstand Voltage: 800V AC/DC

Contact Resistance: 20m Ω Max

Pin	Dimensions(mm)	
	A	B
02	2.00	6.00
03	4.00	8.00
04	6.00	10.00
05	8.00	12.00
06	10.00	14.00
07	12.00	16.00
08	14.00	18.00
09	16.00	20.00
10	18.00	22.00
11	20.00	24.00
12	22.00	26.00
13	24.00	28.00
14	26.00	30.00
15	28.00	32.00
16	30.00	34.00
17	32.00	36.00
18	34.00	38.00
19	36.00	40.00
20	38.00	42.00

Order Information:

L-KLS1-XA1-2.00-XX-S3

L: RoHS

Pitch: 2.00mm

XX-No. of 08 ~ 40 pins

Type: T - Terminal

H/H2/H3 - Housing

S/S2/S3 - Straight male pin

R/R2/R3 - Right angle male pin

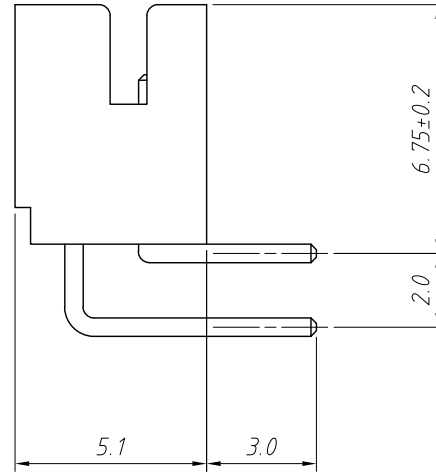
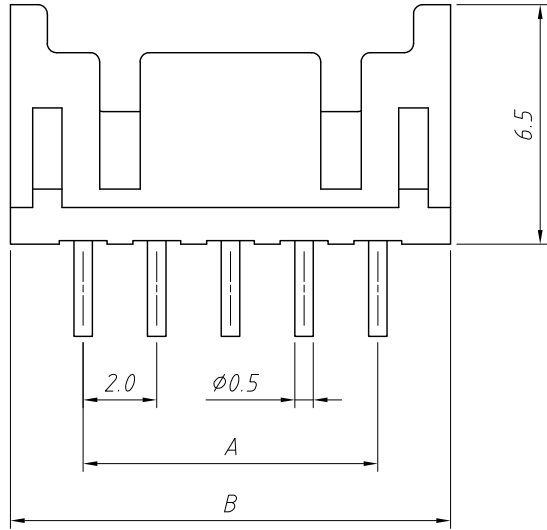
VM - Vertical SMT Pin

ANGLE TOLERANCE	PROJECTION	Description:
$\pm 3^\circ$		2.00mm Pitch JST PHD type Double Wire to Board Connector
GENERAL TOLERANCE	UNITS	mm
x.x ± 0.30	SHEET SIZE	A4
x.xx ± 0.20	Draw:	Daniel 2021-01-11
x.xxx ± 0.10	Check:	Daniel 2021-01-11

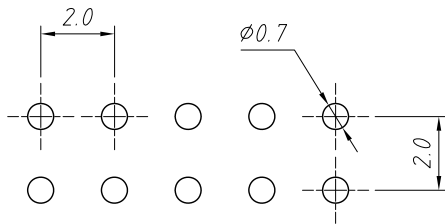
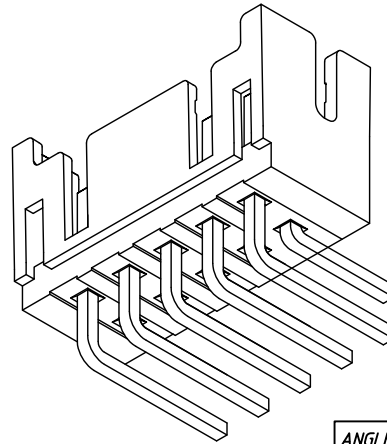
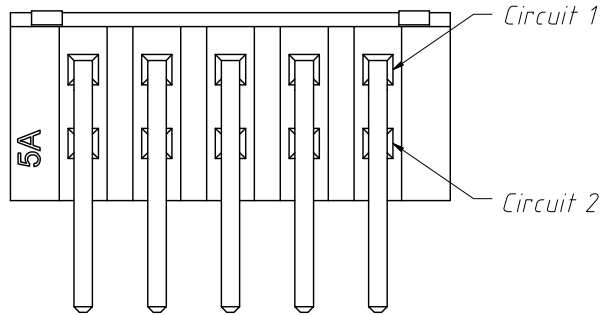


NingBo KLS ELECTRONIC CO., L TD.

1 RoHS Compliance



Pin	Dimensions(mm)	
	A	B
02	2.00	6.00
03	4.00	8.00
04	6.00	10.00
05	8.00	12.00
06	10.00	14.00
07	12.00	16.00
08	14.00	18.00
09	16.00	20.00
10	18.00	22.00
11	20.00	24.00
12	22.00	26.00
13	24.00	28.00
14	26.00	30.00
15	28.00	32.00
16	30.00	34.00
17	32.00	36.00
18	34.00	38.00
19	36.00	40.00
20	38.00	42.00



Recommended PCB Layout

Material:
Housing:PA66,UL 94V-0
Contact:Brass
Plating: Tin Plated

Electrical Characteristics:
Rated Current:3.0AMP
Voltage rating:250V AC,DC
Temperature range:-25°C ~ +85°C
Insulator Resistance:1000MΩ Min
Withstand Voltage:800V AC/DC
Contact Resistance:10mΩ Max

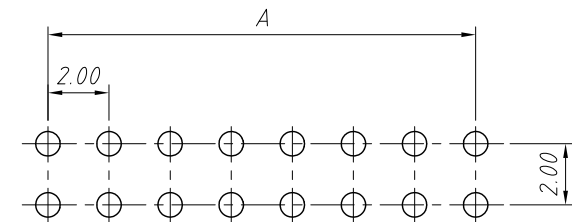
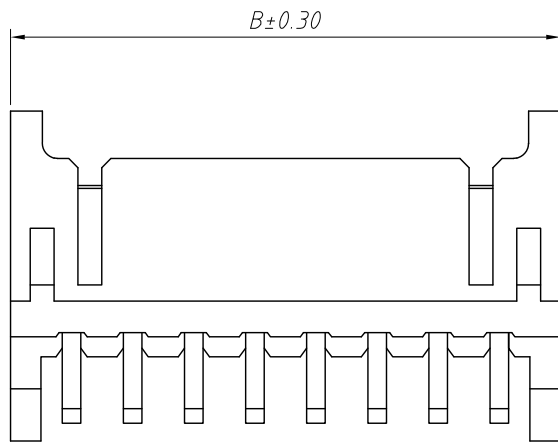
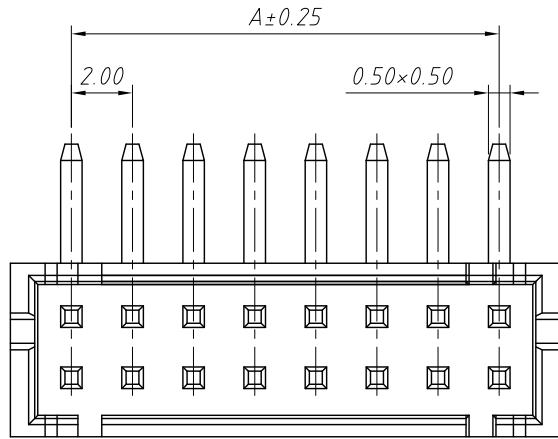
Order Information:
L-KLS1-XA1-2.00-XX-R
L: RoHS
Pitch:2.00mm
XX-No. of 04 ~ 40 pins
Type:T-Terminal
H/H2/H3-Hosing
S/S2/S3-Straight male pin
R/RD/R2/R3-Right angle male pin
VM-Vertical SMT Pin

ANGLE TOLERANCE	PROJECTION	Description:	
±3°			2.00mm Pitch JST PHD type Double Wire to Board Connector
GENERAL TOLERANCE	UNITS	mm	KLS P/N:
x.x ±0.30	SHEET SIZE	A4	L-KLS1-XA1-2.00-XX-R
x.xx ±0.20	Draw:	Daniel	2021-01-11
x.xxx ±0.10	Check:	Daniel	2021-01-11



NingBo KLS ELECTRONIC CO.,LTD.

1 RoHS Compliance

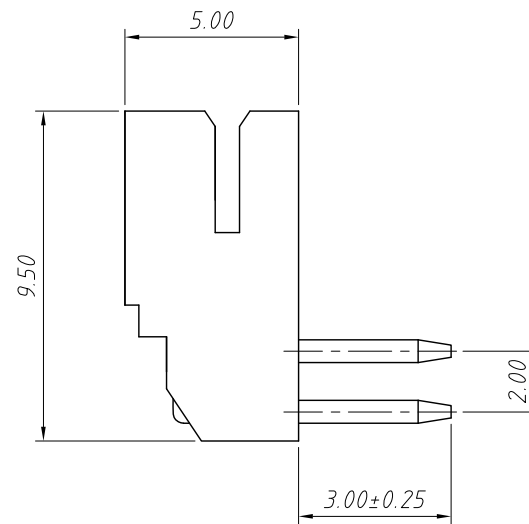


Recommended PCB Layout

Material:
Housing: PA66, UL 94 V-0
Contact: Brass
Plating: Tin Plated

Electrical Characteristics:
Rated Current: 3.0AMP
Voltage rating: 250V AC, DC
Temperature range: $-25^{\circ}\text{C} \sim +85^{\circ}\text{C}$
Insulator Resistance: 1000M Ω Min
Withstand Voltage: 800V AC/DC
Contact Resistance: 20m Ω Max

Pin	Dimensions(mm)	
	A	B
02	2.00	6.00
03	4.00	8.00
04	6.00	10.00
05	8.00	12.00
06	10.00	14.00
07	12.00	16.00
08	14.00	18.00
09	16.00	20.00
10	18.00	22.00
11	20.00	24.00
12	22.00	26.00
13	24.00	28.00
14	26.00	30.00
15	28.00	32.00
16	30.00	34.00
17	32.00	36.00
18	34.00	38.00
19	36.00	40.00
20	38.00	42.00



Order Information:

L-KLS1-XA1-2.00-XX-RD

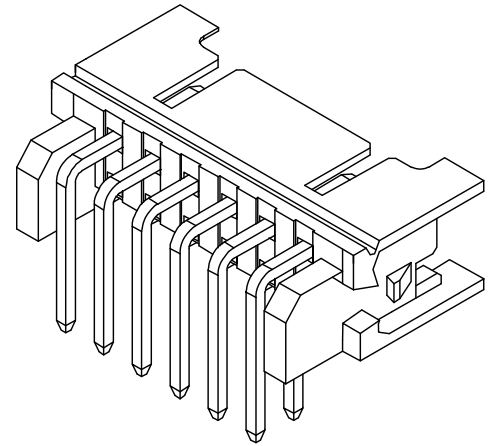
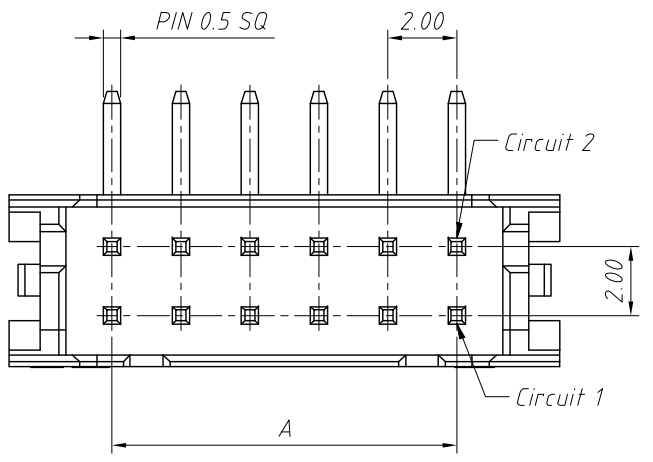
- L: RoHS
- Pitch: 2.00mm
- XX~No. of 02~44 pins
- Type: T-Terminal
- H/H2/H3-Hosing
- S/S2/S3-Straight male pin
- R/RD/R2/R3-Right angle male pin
- VM-Vertical SMT Pin

ANGLE TOLERANCE	PROJECTION	Description:
$\pm 3^{\circ}$		2.00mm Pitch JST PHD type Double Wire to Board Connector
GENERAL TOLERANCE	UNITS	mm
x.x ± 0.30	SHEET SIZE	A4
x.xx ± 0.20	Draw:	Daniel 2021-01-11
x.xxx ± 0.10	Check:	Daniel 2021-01-11

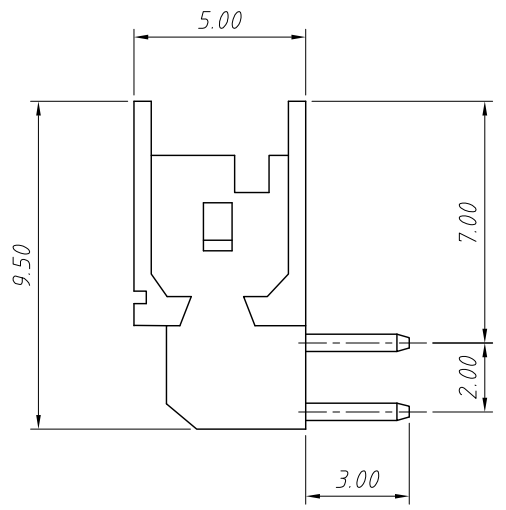
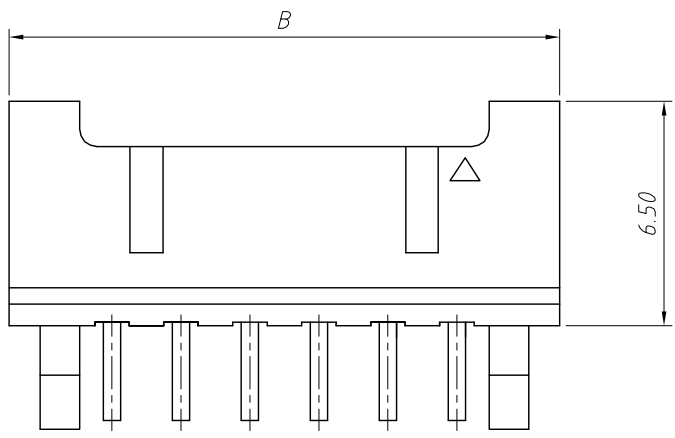


NingBo KLS ELECTRONIC CO.,L TD.

1
RoHS Compliance

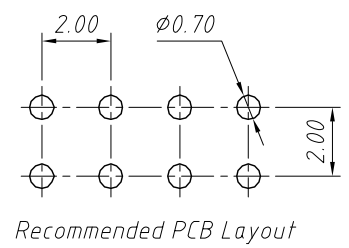


Pin	Dimensions(mm)	
	A	B
02	2.00	8.00
03	4.00	10.00
04	6.00	12.00
05	8.00	14.00
06	10.00	16.00
07	12.00	18.00
08	14.00	20.00
09	16.00	22.00
10	18.00	24.00
11	20.00	26.00
12	22.00	28.00
13	24.00	30.00
14	26.00	32.00
15	28.00	34.00
16	30.00	36.00
17	32.00	38.00
18	34.00	40.00
19	36.00	42.00
20	38.00	44.00



Material:
Housing:PA9T,UL94V-0
Contact:Brass
Plating: Tin Plated

Electrical Characteristics:
Rated Current:3.0AMP
Voltage rating:250V AC,DC
Temperature range:-25°C ~ + 85°C
Insulator Resistance:1000MΩ Min
Withstand Voltage:800V AC/DC
Contact Resistance:20mΩ Max



Order Information:
L-KLS1-XA1-2.00-XX-R2

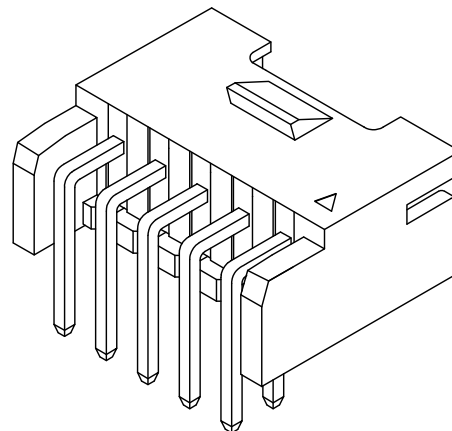
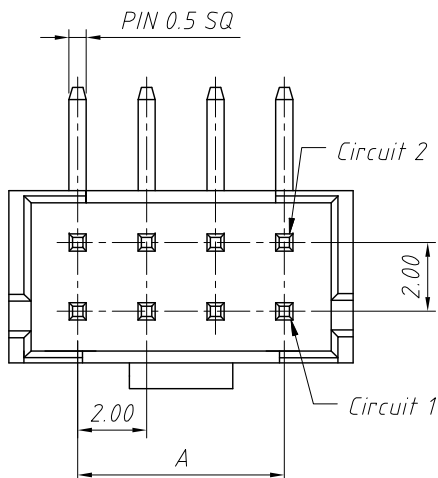
- L: RoHS
- Pitch:2.00mm
- XX-No.of 02 ~ 40 pins
- Type:T-Terminal
- H/H2/H3-Hosing
- S/S2/S3-Straight male pin
- R/RD/R2/R3-Right angle male pin
- VM-Vertical SMT Pin

ANGLE TOLERANCE	PROJECTION	Description:
±3°		2.00mm Pitch JST PHD type Double Wire to Board Connector
GENERAL TOLERANCE	UNITS	mm
x.x ±0.30	SHEET SIZE	A4
x.xx ±0.20	Draw:	Daniel 2021-01-11
x.xxx ±0.10	Check:	Daniel 2021-01-11

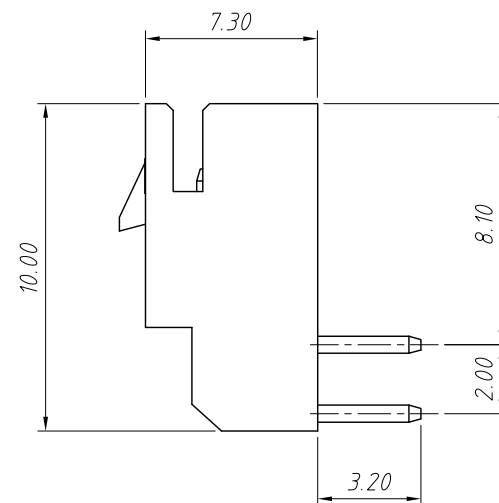
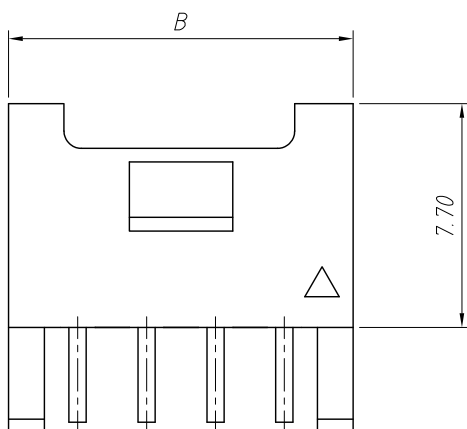
L-KLS1-XA1-2.00-XX-R2

NingBo KLS ELECTRONIC CO.,L TD.

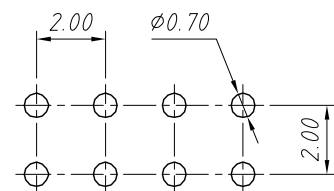
1
RoHS Compliance



Pin	Dimensions(mm)	
	A	B
02	2.00	6.00
03	4.00	8.00
04	6.00	10.00
05	8.00	12.00
06	10.00	14.00
07	12.00	16.00
08	14.00	18.00
09	16.00	20.00
10	18.00	22.00
11	20.00	24.00
12	22.00	26.00
13	24.00	28.00
14	26.00	30.00
15	28.00	32.00
16	30.00	34.00
17	32.00	36.00
18	34.00	38.00
19	36.00	40.00
20	38.00	42.00



Material:
Housing:PA46,UL94V-0
Contact:Brass
Plating:Tin Plated



Recommended PCB Layout

Electrical Characteristics:
Rated Current:3.0AMP
Voltage rating:250V AC,DC
Temperature range:-25°C ~ + 85°C
Insulator Resistance:1000MΩ Min
Withstand Voltage:800V AC/DC
Contact Resistance:20mΩ Max

Order Information:

L-KLS1-XA1-2.00-XX-R3

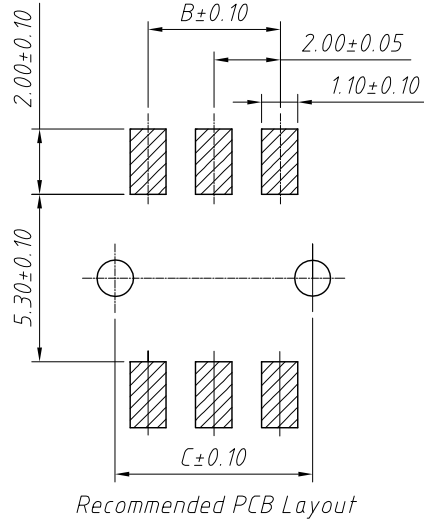
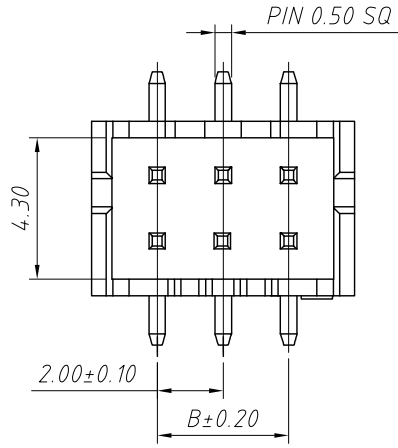
L: RoHS
Pitch:2.00mm
XX-No. of 08 ~ 40 pins
Type:T-Terminal
H/H2/H3-Hosing
S/S2/S3-Straight male pin
R/RD/R2/R3-Right angle male pin
VM-Vertical SMT Pin

ANGLE TOLERANCE	PROJECTION	Description:	
±3°			2.00mm Pitch JST PHD type Double Wire to Board Connector
GENERAL TOLERANCE	UNITS	mm	KLS P/N:
x.x ±0.30	SHEET SIZE	A4	L-KLS1-XA1-2.00-XX-R3
x.xx ±0.20	Draw:	Daniel	2021-01-11
x.xxx ±0.10	Check:	Daniel	2021-01-11



NingBo KLS ELECTRONIC CO.,LTD.

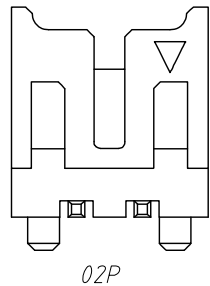
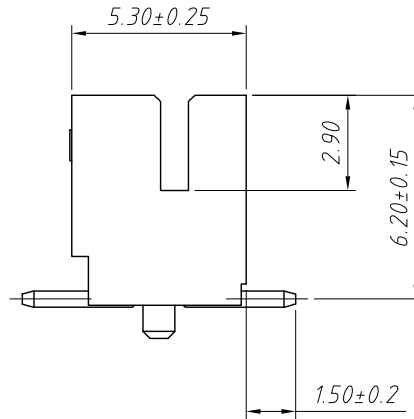
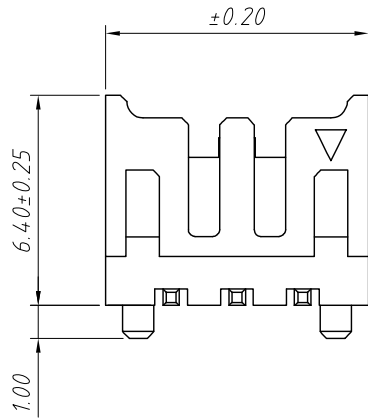
RoHS Compliance



Material:
 Insulator: PA9T, UL 94V-0
 Contact: Brass
 Plating: Tin plated

Electrical Characteristics:
 Rated Current: 3.0AMP
 Voltage rating: 250V AC, DC
 Temperature range: -25°C ~ +85°C
 Insulator Resistance: 1000MΩ Min
 Withstand Voltage: 800V AC/DC
 Contact Resistance: 20mΩ Max

Pin	Dimensions(mm)		
	A	B	C
02	6.00	2.00	4.00
03	8.00	4.00	6.00
04	10.00	6.00	8.00
05	12.00	8.00	10.00
06	14.00	10.00	12.00
07	16.00	12.00	14.00
08	18.00	14.00	16.00
09	20.00	16.00	18.00
10	22.00	18.00	20.00
11	24.00	20.00	22.00
12	26.00	22.00	24.00
13	28.00	24.00	26.00
14	30.00	26.00	28.00
15	32.00	28.00	30.00
16	34.00	30.00	32.00
17	36.00	32.00	34.00
18	38.00	34.00	36.00
19	40.00	36.00	38.00
20	42.00	38.00	40.00



Order Information:

L-KLS1-XA1-2.00-XX-VM

L: RoHS

Pitch: 2.00mm

XX-No. of 02~40 pins

Type: T-Terminal

H/H2/H3-Hosing

S/S2/S3-Straight male pin

R/R2/R3-Right angle male pin

VM-Vertical SMT Pin

ANGLE TOLERANCE	PROJECTION		Description:
±3°			2.00mm Pitch JST PHD type Double Wire to Board Connector
GENERAL TOLERANCE	UNITS	mm	KLS P/N:
x.x ±0.30	SHEET SIZE	A4	L-KLS1-XA1-2.00-XX-VM
x.xx ±0.20	Draw:	Daniel	2021-01-11
x.xxx ±0.10	Check:	Daniel	2021-01-11



NingBo KLS ELECTRONIC CO.,LTD.