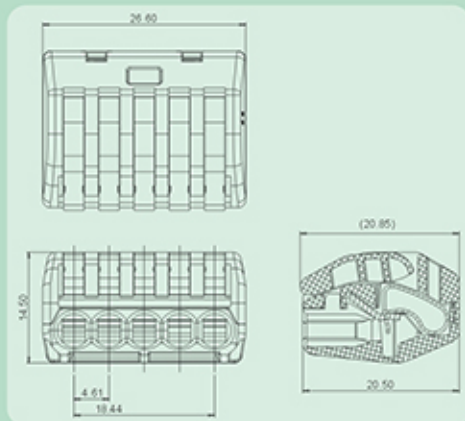
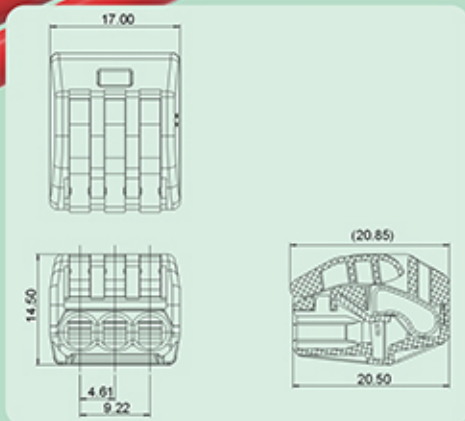
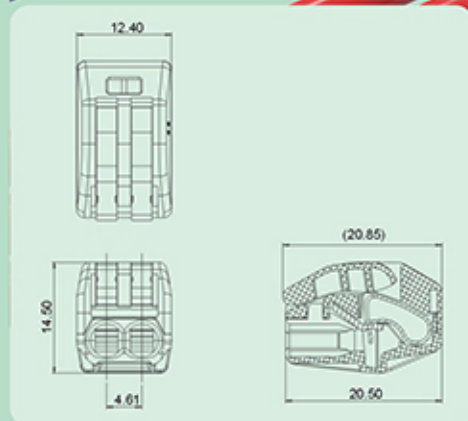


### DG223-4.61

- 紧凑型连接器;
- 带操作杆.
- Compact splicing connector;
- with operating levers.



### 技术参数 Technical data

APPROVAL: CE

型号 Model	线径 Wire range (AWG/ mm <sup>2</sup> )	线数 Poles	IEC60998技术参数 (IEC60998 data sheet)		UL486C 技术参数 (UL486C data sheet)	
			电压(V) Rated voltage	电流(A) Rated current	电压(V) Rated voltage	电流(A) Rated current
DG223-4.61	28-12/0.2-2.5	02/03/05P	450	24	600	20

### 应用行业 Application

LED照明行业 LED Lighting



### 产品包装方式 Packing

Product model	Pcs./Pkt
DG223-4.61-02P	100
DG223-4.61-03P	100
DG223-4.61-05P	100

### 型号对照 Cross reference

DEGSON	同行1/Competitor1	同行2/Competitor2
DG223-4.61	W/222-41X	-

### 产品订货 How to order

DG223-4.61	-	X	X	P	-	1	Y	-	0	0	A(H)
Series NO.		NO. of pole				1 Single pitch			通用色 General Color		
						2 Double pitch			1	Grey	PANTONE 430C
								5	Orange	PANTONE 155C	
										01	DEGSON
										15	DEGSON