

Stereo Jack Series

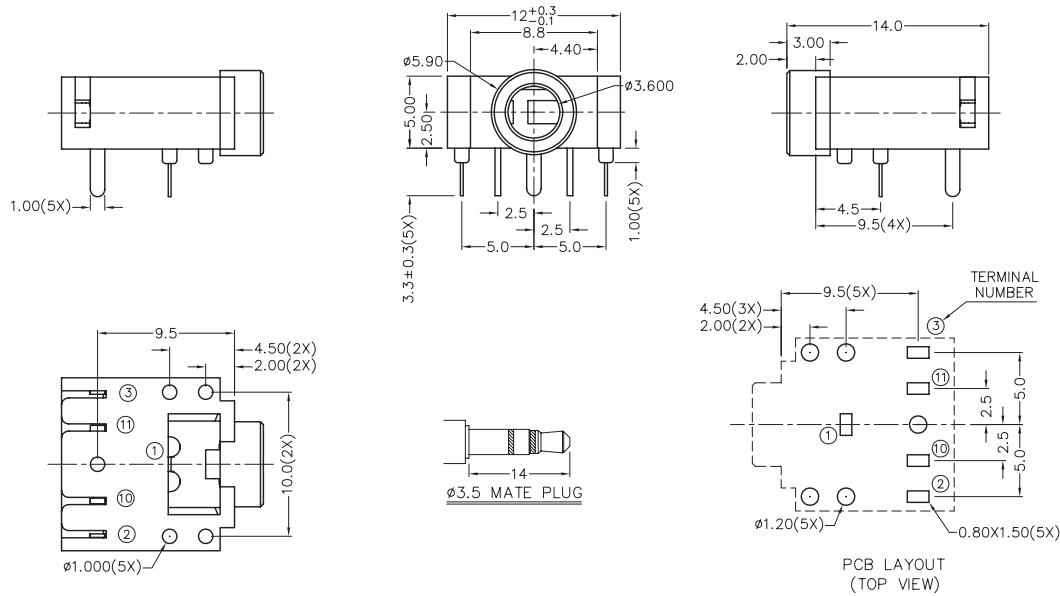
KLS1-TSJ3.5-001C (Dip Stereo Jack)

Technical parameters:

Rated voltage: DC 30 V
 Rated current: 0.5 A
 Contact resistance: 0.03Ω, max
 Insulation resistance: 100MΩ, min
 Pressure: AC500V (50Hz) / 1minute
 Insertion Force :2-20 N
 Life: 50000 times
 Operating Temperature:-30°C ~ 70°C

Material:

Terminal 1 : Copper Alloy
 Terminal 2 : Copper Alloy
 Terminal 3 : Copper Alloy
 Terminal 10: Brass
 Terminal 11: Brass
 Housing : PBT



MODEL NO.	TSJ3.5-001C	TSJ3.5-001CA	TSJ3.5-001CB	TSJ3.5-001CC	TSJ3.5-001CD
SCHEMATIC					

ORDER INFORMATION

Product NO.: KLS1-TSJ3.5-001CA

