

# Technical Document

## FD 1225 12 B 38



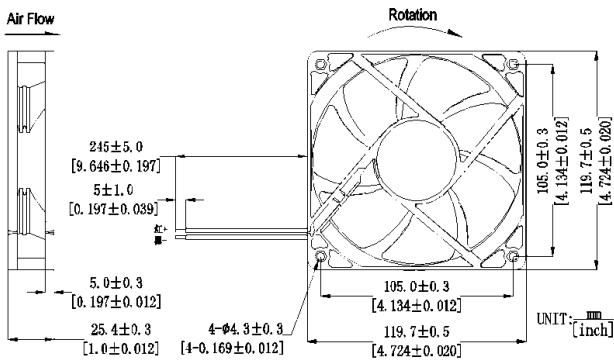
October 2016, Brussels

## Features

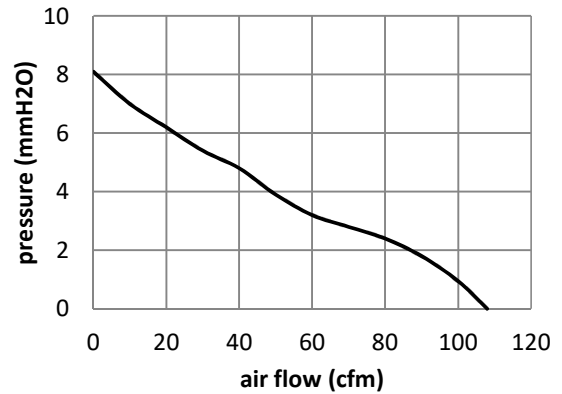
Parameter	Units	Specifications
Dimensions	mm	120x120x25
Weight	gram	125
Power Supply	VDC	12
Rated Current	A	0.55 (max. 0.72)
Power Input	W	6.6
Speed	RPM	3800
Air Flow	cfm	108.2
Static Pressure	mmH <sub>2</sub> O	8.10
Sound Level	dba	50.2
Operating Temp.	°C	-10~+70
Life	hours	70000
Bearing	-	Ball bearing
Housing Material	-	UL 94-0 rating thermoplastic
Impeller Material	-	UL 94-0 rating thermoplastic
Electrical Connection	-	Lead wires (L)
Polarity Protection	-	Open circuit when Vcc and GND are exchanged.
Certifications	-	CE

\*: above specifications are subject to change without prior notice

## Dimensions



## Performance



## Ordering Code:

Model	Part Number	Description
FD1225 12 B 38	200258	DC120x120x25 fan, 3800 rpm, ball bearing, lead wires