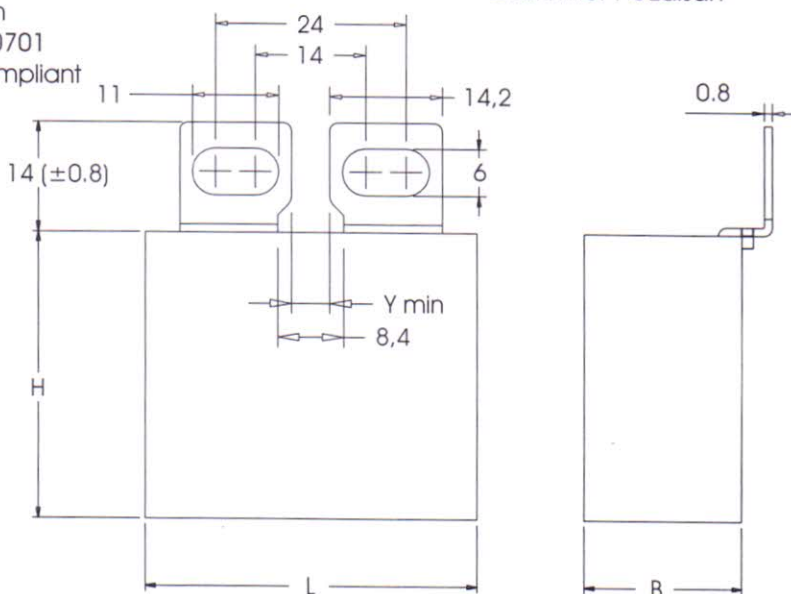


Capacitor Specifications	IGBT Snubber Capacitors	
Design reference no:	MP-4-460 REV 00	DATE:22.06.2016
Description:	1.5 MFD K 700 VDC B2 OTL	

Construction

Dielectric : Polypropylene Film
 Reference standard : IEC 610701
 Flamability UL94-V0, RoHS compliant

Customer : Ozdisan



Dimensions are in mm

Case code	Dimensions					Terminal Style
B2	B±1	H±1	L±1	P ± 0.5	Y min	OTL
	24	38	45	14-24	4.9	

Electrical parameters

1	Nominal Capacitance at 1 KHz and 25 deg. C	1.5 Micro Farad
2	Capacitance Tolerance	K ±10%
3	Rated Voltage DC at 25 deg. C	700
4	Rated Voltage AC at 25 deg. C and 50 Hz.	420
5	Test voltage between terminals for 10 secs.	1400 Vdc
6	Tan D at 1Khz and 25 deg. C	<0.0005
7	Effective series inductance (ESL)	12 nH
8	IR at 25° C and at a test voltage of 100 Vdc applied for 60 secs.	≥30000 mega Ohms
9	Maximum DV/DT	615 V/μS
10	I peak	922 Amp
11	Irms at 100 KHz & 70 deg C	19 Amperes
12	Temperature range	-40 deg.C to +85 deg. C
13	Max.ESR at 100 KHz (±30%)	2.8 milli ohms

Prepared by	Verified by	Approved by
<i>[Signature]</i>	<i>[Signature]</i>	<i>[Signature]</i>

QDF FR 021 REV 01

MASTER COPY