

Switch

Toggle Switch Series

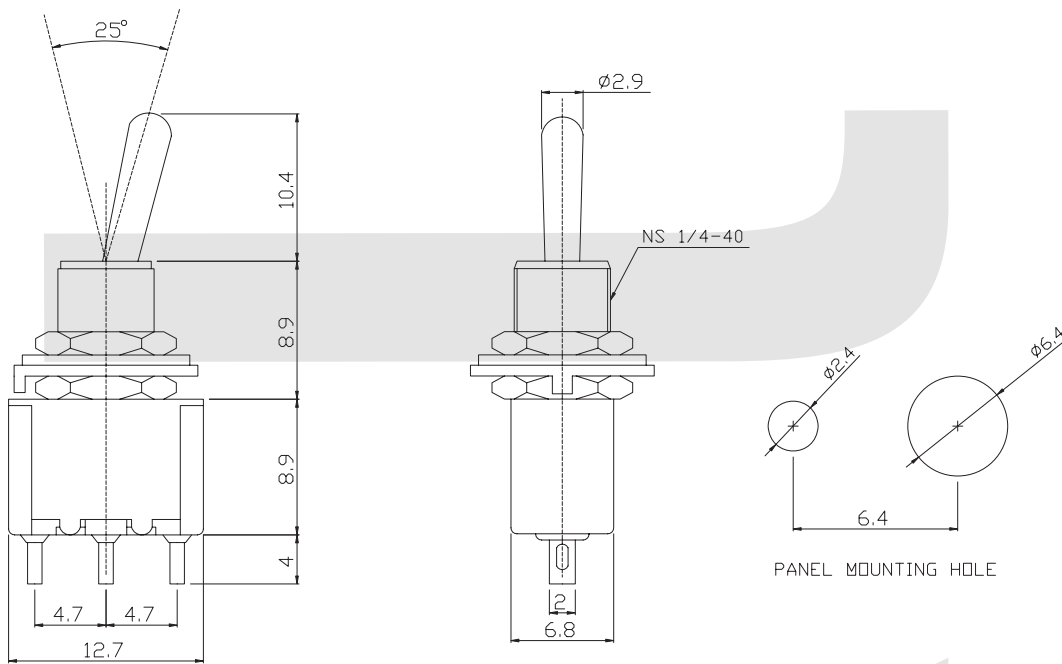
KLS7-MS-102-A1 Miniature Toggle Switch Series

SPECIFICATIONS

Rating: 5A 125VAC; 2A 250VAC
 Contact Resistance: 20MΩ max
 Insulation Resistance: 500V DC 1000MΩ Min
 Dielectric Strength: 1500V AC 1 Minute
 Operating Temperature: -55°C~+85°C
 Electrical Life :20,000 cycles



VII



ORDER INFORMATION

