



健隆投資有限公司  
STRONG BASE INVESTMENT  
LTD.

Unit 17, 11/F., Hewlett Centre, 52-54 Hoi Yuen Road, Kwun Tong, Kowloon, Hong Kong.  
Tel: (852) 2793 3293 Fax: (852) 2793 3096



Approval Sheet  
(確認書)

編號 Ref. No.	
日期 Issued Date	2020-2-25

公司名稱 : OZ  
Company Name

---

產品編號 : 3G4UCB-8  
Part No.

---

產品種類 : LED-LAMP  
Category

---

產品描述 : 3MM/ULTRA BRIGHT YELLOW GREEN ,WHITE CLEAR  
Description

---

客戶產品編號 :  
Customer No.

---

備注 :  
Remarks

---

STRONG BASE			
ISSUER	APPROVER	CHECKER	ENGINEER
	黃志强	覃寿芝	黃曼圆

Authorized Signature 客戶簽字				
部門 Department				
簽字 Signature				

工廠名稱:字之亮電子(深圳)有限公司

工廠地址:廣東省深圳市龍崗區橫崗鎮荷坳村金源工業區

Company Name: Pretty Light (Shen Zhen) Limited

Factory Address:jin-Yuan,Industrial Zone He-Ao Cun,Heng-Gang

Zhen Long-Gang Area,Shen-Zhen City,

TEL: (755) 8976 6931 2869 6588

FAX: (755)89767754 89767566

**PART NO. : 3G4UCB-8**

**DATE : 25 February 2020**

3MM/ULTRA BRIGHT YELLOW GREEN ,WHITE CLEAR

**OZSPECIFICATION**

**ABSOLUTE MAXIMUM RATING (Ta=25°C)**

Item	Symbol	Rating	Unit
Power Dissipation	P <sub>D</sub>	80	mW
Forward Current	I <sub>F</sub>	20	mA
Peak Forward Current (1/10 Duty Cycle, 0.1 ms Pulse Width)	I <sub>FP</sub>	100	mA
Reverse Voltage	V <sub>R</sub>	5	V
Operating Temperature	T <sub>opr</sub>	-40~+85	°C
Storage Temperature	T <sub>stg</sub>	-40~+80	°C

**ELECTRICAL/OPTICAL CHARACTERISTICS RATING (Ta=25°C)**

Item	Symbol	Test Conditions	Rating			Unit
			Min.	Typ.	Max.	
Forward Voltage	V <sub>F</sub>	I <sub>F</sub> =20mA	1.7	2.1	2.4	V
Reverse Current	I <sub>R</sub>	V <sub>R</sub> =5V	---	---	20	μA
Luminous Intensity	I <sub>v</sub>	I <sub>F</sub> =20mA	---	550	---	mcd
Dominant Wave Length	λ <sub>d</sub>	I <sub>F</sub> =20mA	---	570	---	nm
Viewing Angle 2θ <sub>1/2</sub>	2θ <sub>1/2</sub>	I <sub>F</sub> =20mA	18°			deg.

**Notes:-**

1) θ<sub>1/2</sub> is the off-axis angle where the luminous intensity is half the optical centerline value.

**Soldering Conditions** : Soldering Temp. ≤ 260°C

Soldering Time ≤ 5 Sec.



**Caution** : ESD protection measures shall be considered and taken in the initial design stage, because static electricity and surge could damage the LED.

A wrist band or an anti-electrostatic glove should be used when handling Electrostatic Sensitive Devices.



健隆投資有限公司

**STRONG BASE INVESTMENT LTD.**

Unit 17, 11/F., Hewlett Centre, 52-54 Hoi Yuen Road, Kwun Tong, Kowloon, Hong Kong.

Tel: (852) 2793 3293

Fax: (852) 2793 3096

email: [inquiry@strongbase.com](mailto:inquiry@strongbase.com)

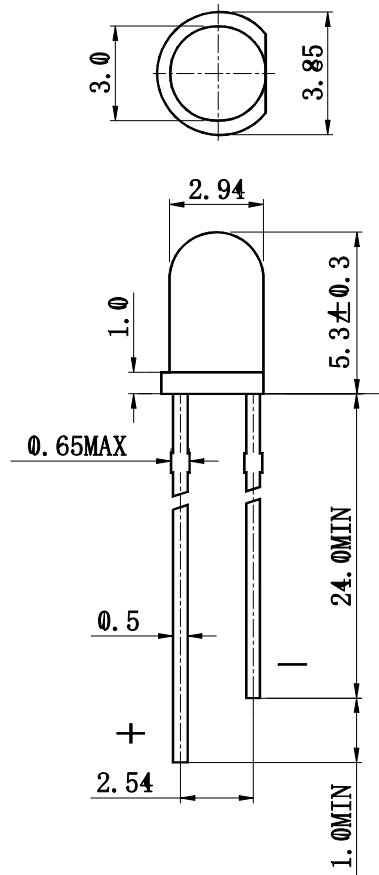
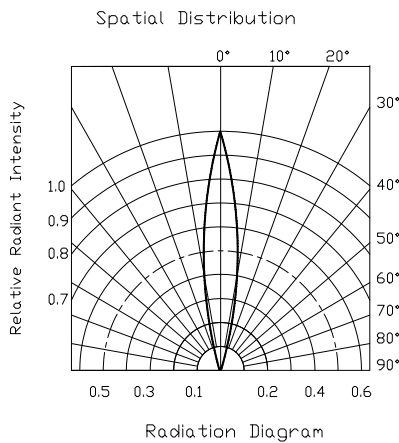


**PART NO. : 3G4UCB-8**

**DATE : 25 February 2020**

3MM/ULTRA BRIGHT YELLOW GREEN ,WHITE CLEAR

**PACKAGE DIMENSION**



**Tolerance: ± 0.25(0.01)**

**Unit: mm(inch)**

Item	Materials
Resin(Mold)	Epoxy Resin
Lead Frame	Copper Alloy

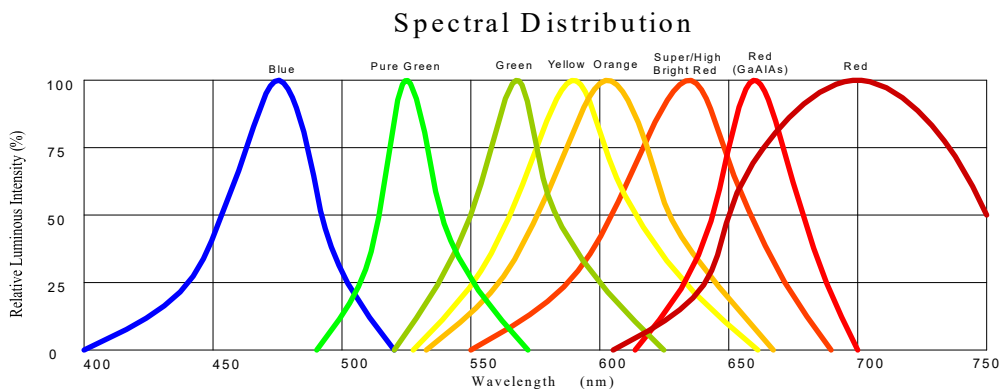
Part Number	Emitting Color	Lens Type
3G4UCB-8	YELLOW GREEN	WHITE CLEAR

**PART NO. : 3G4UCB-8**

**DATE : 25 February 2020**

3MM/ULTRA BRIGHT YELLOW GREEN ,WHITE CLEAR

**Typical Electrical/Optical Characteristics Curves**



(25°C) Ambient Temperature Unless Otherwise Noted

