

5015

50x50x15MM

General Specifications

- ◆ Material..... Frame: Plastic (UL94V-0)  
Impeller: Plastic (UL94V-0)  
Lead Wire: UL1007AWG#26 or Equivalent (+) Red, (-) Black
- ◆ Expected Life..... Ball Bearing 70,000hrs (40°C)  
Sleeve Bearing 30,000hrs (40°C)
- ◆ Temperature Range.... Operating temperature -10°C~70°C (Non-condensing)  
Storage temperature -40°C~70°C (Non-condensing)
- ◆ Safety Standards..... UI, TUV, RoHS, CE
- ◆ DC Fan Specials..... RD, FG, IP56

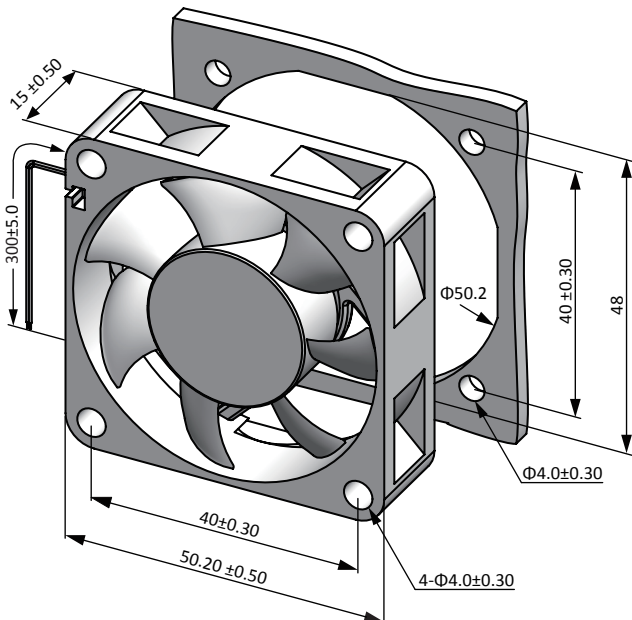


Specifications

Model	#Bearing Type	Rated Voltage	Operating Voltage	Input Current	Input Power	Speed	Max Air Flow	Max Static Pressure	Noise	Weight		
Part No.	B.S	VDC	VDC	Amp	Watt	RPM	CFM	m <sup>3</sup> /min	Inch-H <sub>2</sub> O	Pa	dB-A	g
DA05015#05H	B.S	5	3.5~5.5	0.50	2.50	6000	14.74	0.42	0.21	52.76	34.0	29.0
DA05015#05M	B.S	5	3.5~5.5	0.35	1.75	5500	13.29	0.38	0.18	45.11	31.0	29.0
DA05015#05L	B.S	5	3.5~5.5	0.25	1.25	5000	12.86	0.36	0.16	40.89	27.0	29.0
DA05015#05D	B.S	5	3.5~5.5	0.20	1.00	4500	11.29	0.32	0.13	32.36	25.0	29.0
DA05015#12U	B.S	12	7.0~13.8	0.20	2.40	6500	15.90	0.45	0.25	62.57	36.0	29.0
DA05015#12H	B.S	12	7.0~13.8	0.16	1.92	6000	14.74	0.42	0.21	52.76	34.0	29.0
DA05015#12M	B.S	12	7.0~13.8	0.14	1.68	5500	13.29	0.38	0.18	45.11	31.0	29.0
DA05015#12L	B.S	12	7.0~13.8	0.12	1.44	5000	12.86	0.36	0.16	40.89	27.0	29.0
DA05015#12D	B.S	12	7.0~13.8	0.10	1.20	4500	11.29	0.32	0.13	32.36	25.0	29.0
DA05015#24U	B.S	24	14.0~27.6	0.12	2.88	6500	15.90	0.45	0.25	62.57	36.0	29.0
DA05015#24H	B.S	24	14.0~27.6	0.10	2.40	6000	14.74	0.42	0.21	52.76	34.0	29.0
DA05015#24M	B.S	24	14.0~27.6	0.08	1.92	5500	13.29	0.38	0.18	45.11	31.0	29.0
DA05015#24L	B.S	24	14.0~27.6	0.07	1.68	5000	12.86	0.36	0.16	40.89	27.0	29.0
DA05015#24D	B.S	24	14.0~27.6	0.06	1.44	4500	11.29	0.32	0.13	32.36	25.0	29.0

Specifications are subject to change without notice. Please visit our website at <http://www.szhxht.com> for update information

Dimensions (Unit:mm)



PQ Curve (At rated Voltage)

