

REV.	DESCRIPTION	DRAWN	CHECKED	APPROVED
A	NEW RELEASE	JLZ 04/21/16'		

NOTES:

1. Materials:

- 1.1 Housing material: NYLON 66
- 1.2 Contact: Copper Alloy
- 1.3 Wire Insulator: PVC
- 1.4 Wire: Tin Plated Copper

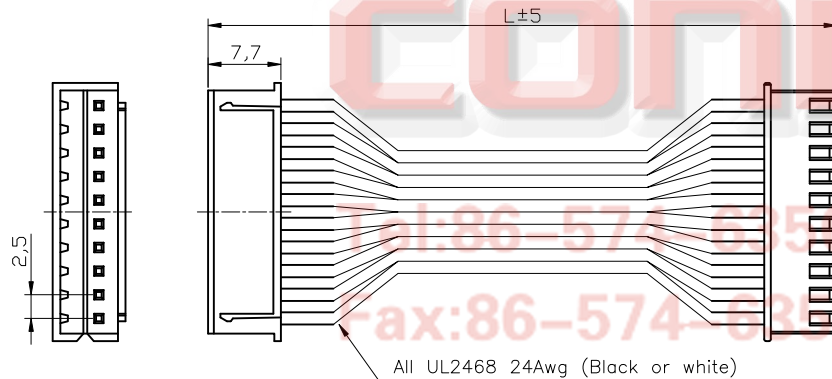
2. Specifications:

- 2.1 Current Rating:2A
- 2.2 Voltage Rating:250V AC/DC
- 2.3 Contact Resistance: 500mΩ Max.(Connector Only)
- 2.4 Insulation resistance: 100MΩ Min.(Connector Only)
- 2.5 Wire Range:AWG#24

3. Product Number Code:

DS1069-06 - X X X X X X X - OZDISAN - 017

- LENGTH(DIM L)
090: 090mm
- HOUSING COLOR
W:White
- CONTACT PLATING
6: Full Tin
- MOUNTING TYPE
C: Crimp
- WIRE GAUGE
24: UL2468 AWG #24
- CONNECTOR TYPE
F: Female
- No.OF CONTACTS
10



CONNFLY

Tel:86-574-63508787
Fax:86-574-63510817
E-mail:sale@connfly.com
http://www.connfly.com
Add:East Industry Zone KuangYan
Town Cixi Ningbo China
P.C:315333

FOR OZDISAN ONLY

GENERAL TOLERANCE		ANGLE TOLERANCE		PROJECTION		TITLE	2.50mm XH*2 WITH CRIMP WIRE		
X.	±0.60	X.	±5°	UNITS	mm	SHEET SIZE	A4	SERIES	DS1069-06 SERIES
.X	±0.38	.X	±3°	晨翔电子有限公司 CONNFLY CONNFLY ELECTRONIC CO., LTD					
.XX	±0.25	.XX	±2°						
DRAWING TYPE		CUSTOMER							
SCALE		1:1	SHEET						1 OF 1
DRAWING NO.		C-DS1069-06-XXXXXXX-A							