

<h1>通用继电器</h1>	<h1>TRAF</h1>
----------------	---------------

- 25A miniature general purpose power relay.
- Ideal for motor switching in appliances and HVAC equipment.
- Designed for high inrush compressor loads.
- With or without quick connect terminal & PCB terminal.
- Semi-sealed construction.
- Conform to RoHS,ELV directive.



### ORDERING CODE 订购代码

<b>TRAF</b> <b>D</b> — <b>12VDC</b> — <b>H L F (XX)</b> 1            2            3            4 5 6 7		
<table style="width: 100%; border: none;"> <tr> <td style="width: 50%; vertical-align: top; padding-right: 20px;">                     1. Relay Model 继电器型号                         TRAF: PCB&amp;QC, TRAF-P: PCB                      2. Coil Power 线圈功率                         D=0.9W, N=1.4W                      3. Coil Nominal Voltage 线圈额定电压                         5,6,9,12,18,24,48VDC                      4. Contact form 触点形式                         H: Form A                 </td> <td style="width: 50%; vertical-align: top;">                     5. Contact Rating 触点负载                         Nil:Standard, L:Low Capacity, T:30A                      6. Insulation System 绝缘等级                         Nil:Standard, B:Class B, F:Class F                      7. Special Code 特殊代号                         Nil:Standard, Letter or number:Special requirement                 </td> </tr> </table>	1. Relay Model 继电器型号 TRAF: PCB&QC, TRAF-P: PCB 2. Coil Power 线圈功率 D=0.9W, N=1.4W 3. Coil Nominal Voltage 线圈额定电压 5,6,9,12,18,24,48VDC 4. Contact form 触点形式 H: Form A	5. Contact Rating 触点负载 Nil:Standard, L:Low Capacity, T:30A 6. Insulation System 绝缘等级 Nil:Standard, B:Class B, F:Class F 7. Special Code 特殊代号 Nil:Standard, Letter or number:Special requirement
1. Relay Model 继电器型号 TRAF: PCB&QC, TRAF-P: PCB 2. Coil Power 线圈功率 D=0.9W, N=1.4W 3. Coil Nominal Voltage 线圈额定电压 5,6,9,12,18,24,48VDC 4. Contact form 触点形式 H: Form A	5. Contact Rating 触点负载 Nil:Standard, L:Low Capacity, T:30A 6. Insulation System 绝缘等级 Nil:Standard, B:Class B, F:Class F 7. Special Code 特殊代号 Nil:Standard, Letter or number:Special requirement	

### COIL DATA 线圈参数 (at 20°C)

Nominal Voitage额定电压(VDC)	5	6	9	12	18	24	48	0.9W
Coil Resistance线圈阻值( $\Omega \pm 10\%$ )	27.8	40	90	160	360	640	2560	
Rated Current额定电流(mA)	180	150	100	75	50	37.5	18.75	
Max Operate Voltage 最大吸合电压(VDC)	3.75	4.5	6.75	9	13.5	18	36	
Min Release Voltage最小释放电压(VDC)	0.25	0.3	0.45	0.6	0.9	1.2	2.4	
Nominal Voitage额定电压(VDC)	5	6	9	12	18	24	48	1.4W
Coil Resistance线圈阻值( $\Omega \pm 10\%$ )	17.9	25.7	57.9	102.9	231.4	411.4	1645.7	
Rated Current额定电流(mA)	280	233.33	155.56	116.67	77.78	58.33	29.17	
Max Operate Voltage 最大吸合电压(VDC)	3.75	4.5	6.75	9	13.5	18	36	
Min Release Voltage最小释放电压(VDC)	0.25	0.3	0.45	0.6	0.9	1.2	2.4	
Max Applicable Voltage 最大过载电压	70°C时额定电压的 130%，23°C时额定电压的 170%							

### CONTACT DATA 触点参数

Contact Form触点形式	1H
Contact Material触点材料	Silver Alloy
Load负载	Resistive load(COS $\Phi$ 1)

Contact Ratings触点负载	D-H:25A 250VAC; D-HL:18A 250VAC; N-H:22A 250VAC; D-HT: 30A250VAC
Minimum load 最小负载	100mA 5VDC
Max Switching Voltage最大转换电压	250VAC
Max Switching Current最大转换电流	30A
Max Switching Power 最大转换功率	6250VA
Contact Resistance接触电阻	100m $\Omega$ Max at 6VDC 1A
Life Expectancy寿命	Electrical 电气寿命: 100,000 Operations(at30Operations/minute)
	Mechanical机械寿命: 10,000,000 Operations(at300Operations/minute)

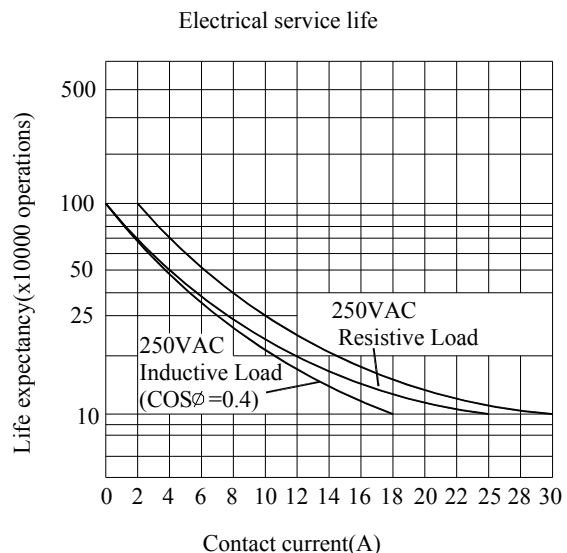
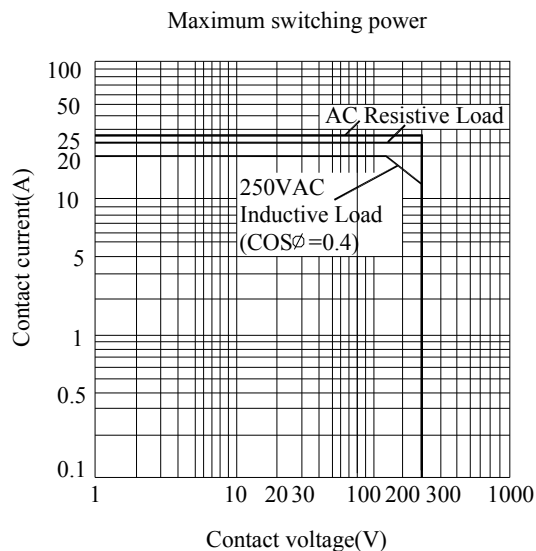
### ■ CHARACTERISTICS DATA 性能参数

Insulation Resistance绝缘阻值	1000M $\Omega$ Min at 500VDC
Dielectric Strength Between Open Contacts触点间耐压	D:1500VAC(for one minute) , N:2500VAC(for one minute)
Between Contacts and coil触点与线圈间耐压	4500VAC(for one minute)
Operate Time吸合时间	$\leq 20$ ms
Release Time释放时间	$\leq 10$ ms
Temperature Range环境温度	-40 $^{\circ}$ C to +85 $^{\circ}$ C (no freezing)
Shock Resistance冲击	Operating Extremes动作极限: 10G
	Damage Limits破坏极限: 100G
Vibration Resistance振动	10-55Hz, 1.5mm双振幅
Max. switching frequency最大转换频率	Mechanical:18,000operations/hr
	Electrical:1,800operations/hr
Humidity湿度	40-85%
Weight重量	Approx 23g
Constrution封装方式	Dust protected防尘罩型
Safety Standard安全标准	

### ■ APPROVED STANDARDS 安全标准

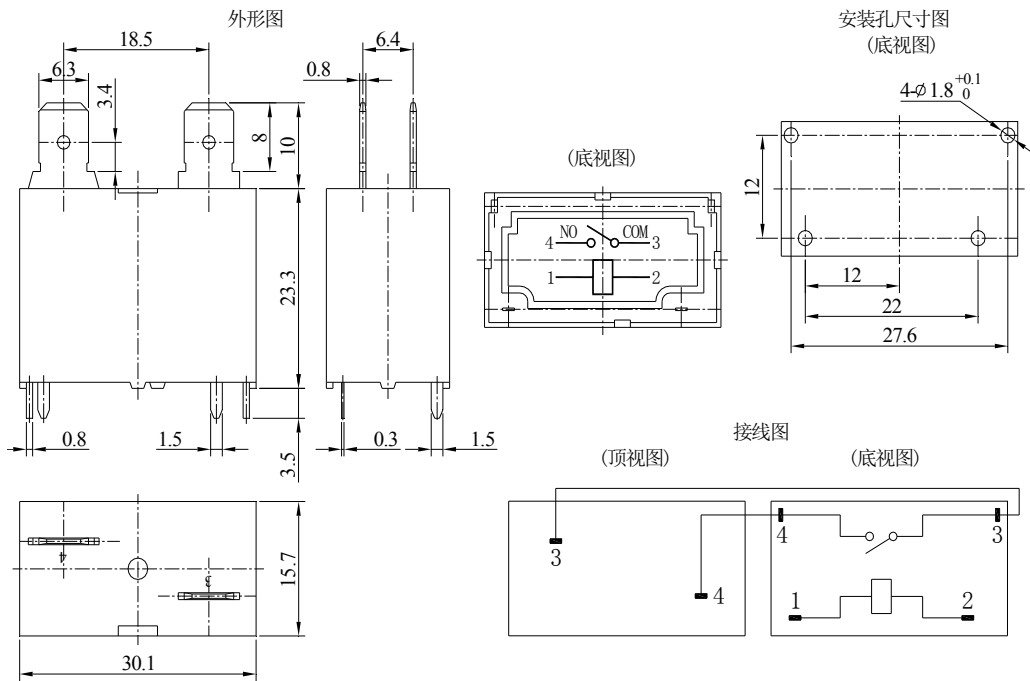
Model(型号)	Coiling rating (线圈电压)	Safety Standard (安全标准)	Contact rating (触点负载)
TRAF	5 to 48VDC	UL,CUL	20A 250VAC
		TÜV	D-H:25A 250VAC, D-HL:18A 250VAC
		CQC	D-H:25A 250VAC, D-HL:18A 250VAC

### ■ ENGINEERING DATA 设计参数

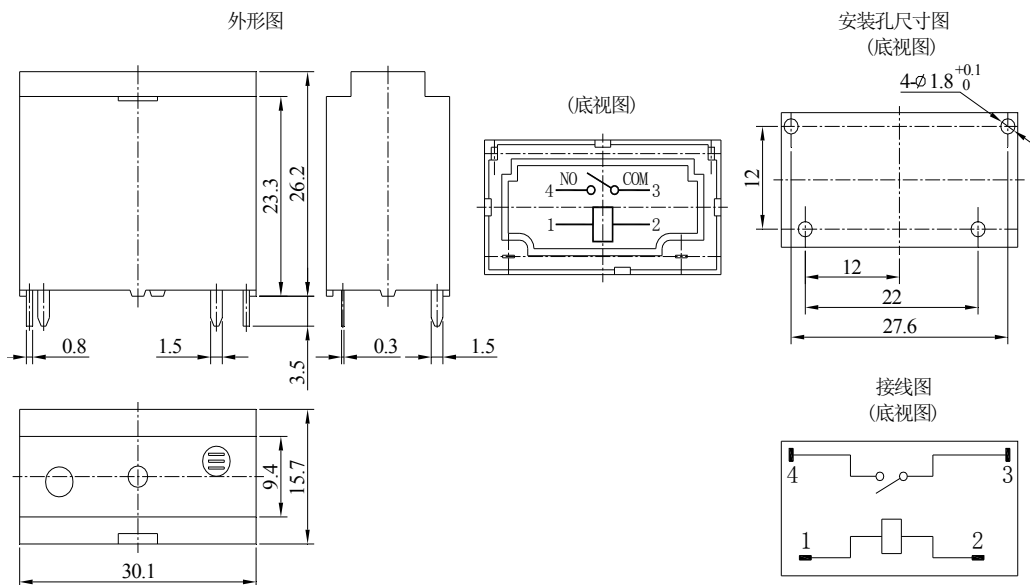


## ■ OVERALL AND MOUNTING DIMENSIONS 安装图

### TRAF



### TRAF-P



备注: 1) 产品部分外形尺寸中未注尺寸公差: 当外形尺寸 $\leq 1\text{mm}$ 时, 公差为 $\pm 0.2\text{mm}$ ; 当外形尺寸在 $1\sim 5\text{mm}$ 时, 公差为 $\pm 0.3\text{mm}$ ; 当外形尺寸 $> 5\text{mm}$ 时, 公差为 $\pm 0.4\text{mm}$ 。

2) 安装孔尺寸中未注尺寸公差均为 $\pm 0.1\text{mm}$ 。

**声明:**

本产品规格书仅供客户使用时参考，如有更改，恕不另行通知。

---