

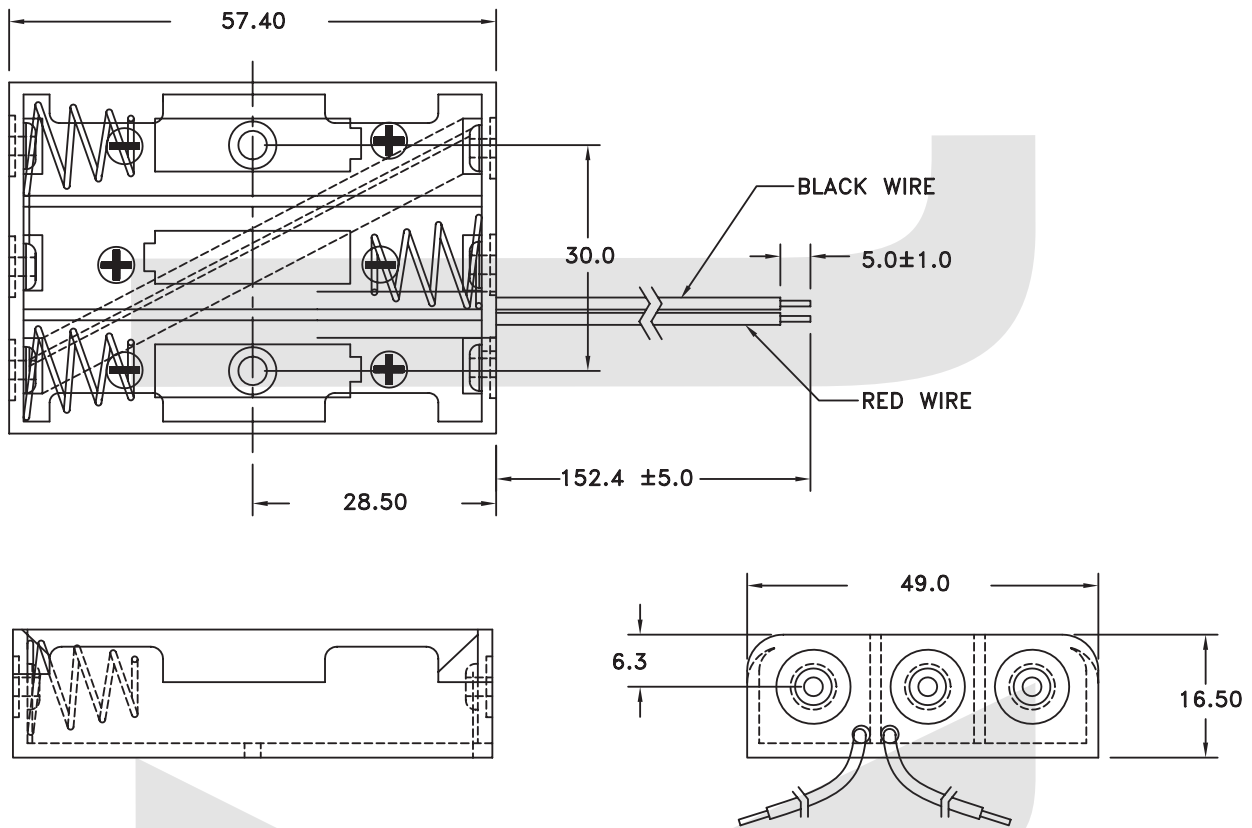
# FUSE AND FUSE HOLDER



## Cell Box Series

### KLS5-806 UM-3 OR "AA" Cell Box Series

WIRE: UL 1007, # 26 AWG  
BLACK & RED: 150 MM ± 5MM  
STRIP & TIN: 5 MM ± 1MM  
MATERIAL: A. B. S. RESIN BLACK COLOR  
SPRING: .6 MM 65C SPRING WIRE  
DESCR.: FOR ONE "AA" CELLS



## ORDER INFORMATION

Product NO.: **KLS5-806-B**

Part Number  
Cell Box Series

TYPE:  
A: With Soldered lug  
B: With Wire L=15cm or other  
C: With 6 Prong  
D: With Pin

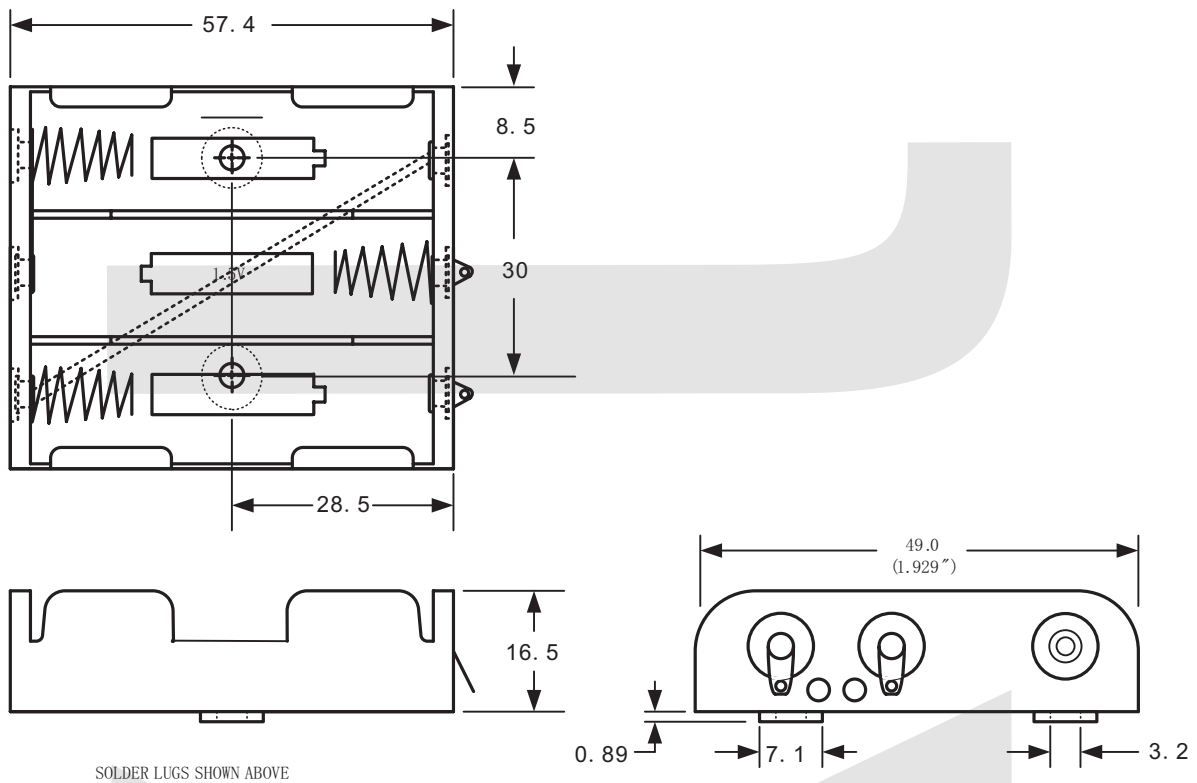
# FUSE AND FUSE HOLDER



## Cell Box Series

KLS5-806 UM-3 OR "AA" Cell Box Series

WIRE: UL 1007, # 26 AWG  
 BLACK & RED: 150 MM ± 5MM  
 STRIP & TIN: 5 MM ± 1MM  
 MATERIAL: A. B. S. RESIN BLACK COLOR  
 SPRING: .6 MM 65C SPRING WIRE  
 DESCR.: FOR ONE "AA" CELLS



## ORDER INFORMATION

Product NO.: **KLS5-806-A**

Part Number  
Cell Box Series

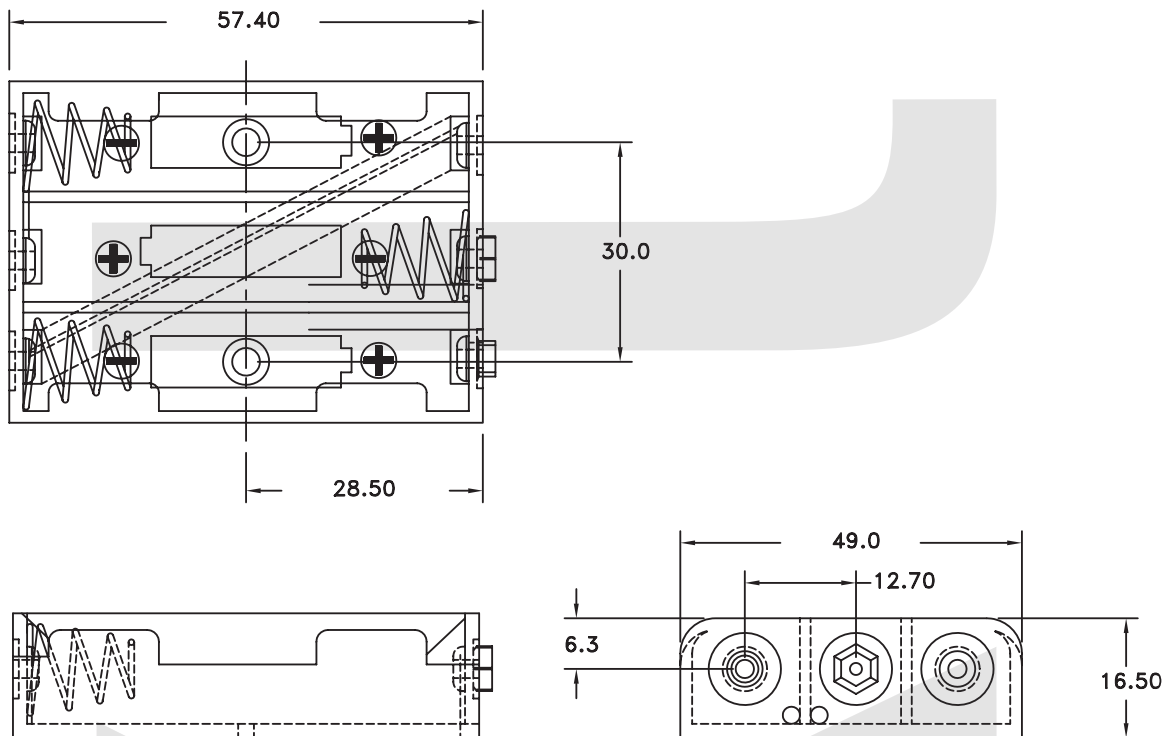
TYPE:  
 A:With Soldered lug  
 B:With Wire L=15cm or other  
 C:With 6 Prong  
 D:With Pin

# FUSE AND FUSE HOLDER

## Cell Box Series

### KLS5-806 UM-3 OR "AA" Cell Box Series

WIRE: UL 1007, # 26 AWG  
BLACK & RED: 150 MM ± 5MM  
STRIP & TIN: 5 MM ± 1MM  
MATERIAL: A. B. S. RESIN BLACK COLOR  
SPRING: .6 MM 65C SPRING WIRE  
DESCR.: FOR ONE "AA" CELLS



## ORDER INFORMATION

Product NO.: **KLS5-806-C**

Part Number  
Cell Box Series

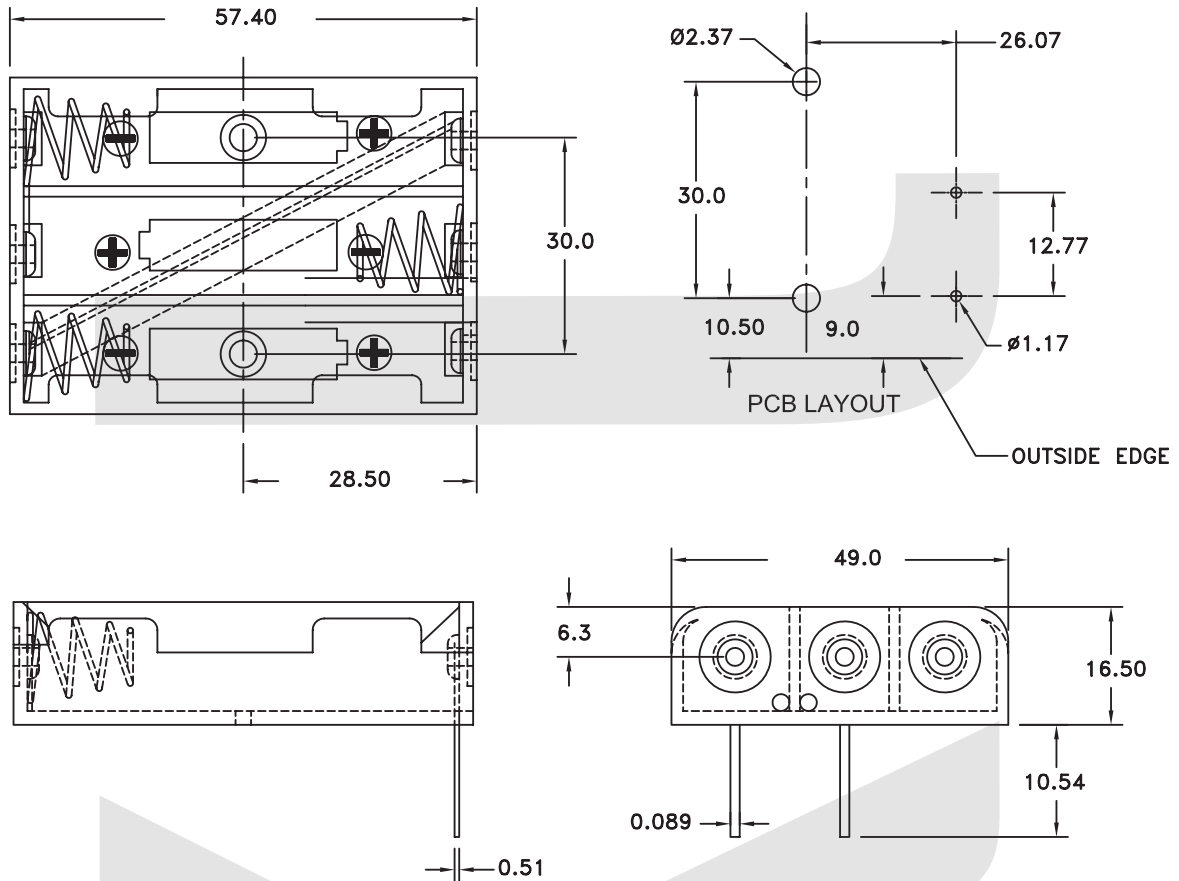
TYPE:  
A:With Soldered lug  
B:With Wire L=15cm or other  
C:With 6 Prong snap  
D:With Pin

# FUSE AND FUSE HOLDER

## Cell Box Series

### KLS5-806 UM-3 OR "AA" Cell Box Series

WIRE: UL 1007, # 26 AWG  
 BLACK & RED: 150 MM ± 5MM  
 STRIP & TIN: 5 MM ± 1MM  
 MATERIAL: A. B. S. RESIN BLACK COLOR  
 SPRING: .6 MM 65C SPRING WIRE  
 DESCR.: FOR ONE "AA" CELLS



## ORDER INFORMATION

Product NO.: **KLS5-806-D**

Part Number  
Cell Box Series

TYPE:  
 A: With Soldered lug  
 B: With Wire L=15cm or other  
 C: With 6 Prong snap  
 D: With Pin