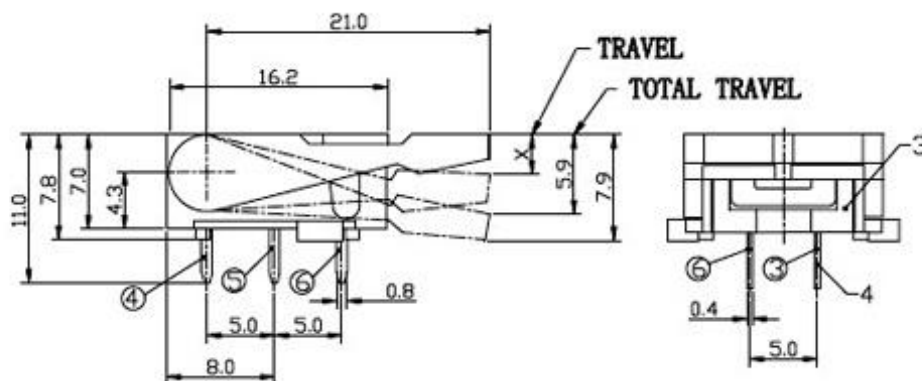


SCHEMATIC



Title	HOOK SWITCH
KLS P/N:	KLS7-HS22L01
Rating	0.2A 50V DC
Function	2P2T
Timing	NON-SHORTING
ContactResistance(mohms)	200mΩ max
Insulation Resistanc(Mohms)	100mΩ min at 500V DC
Dielectric Strength(V)	AC 500V for 1 min
LifeTest	100,000 Cycles