



OZDISAN ELECTRONIC A.S.

OZD-EVA-FT800-PIC-V1.1

Doc. Version: 1.1

19.09.2017



Ozdisan Electronic R&D and Technical Support Department

Email: ts@ozdisan.com Tel: +90 2164201882

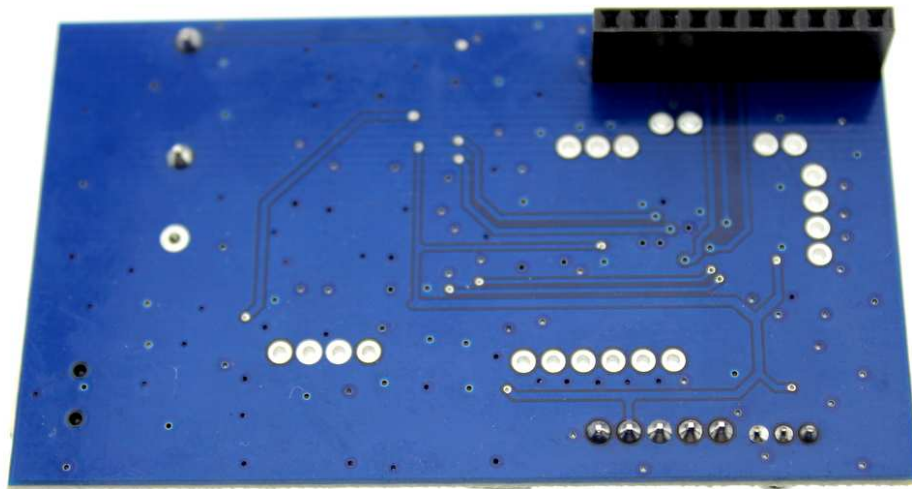
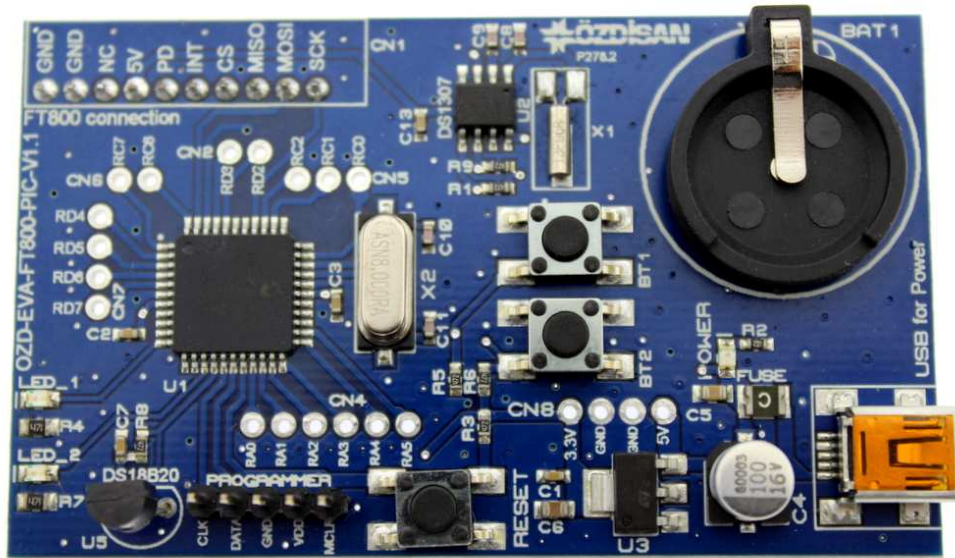
www.ozdisan.com

4.3"- 5" FT800 TFT Driver Board V1

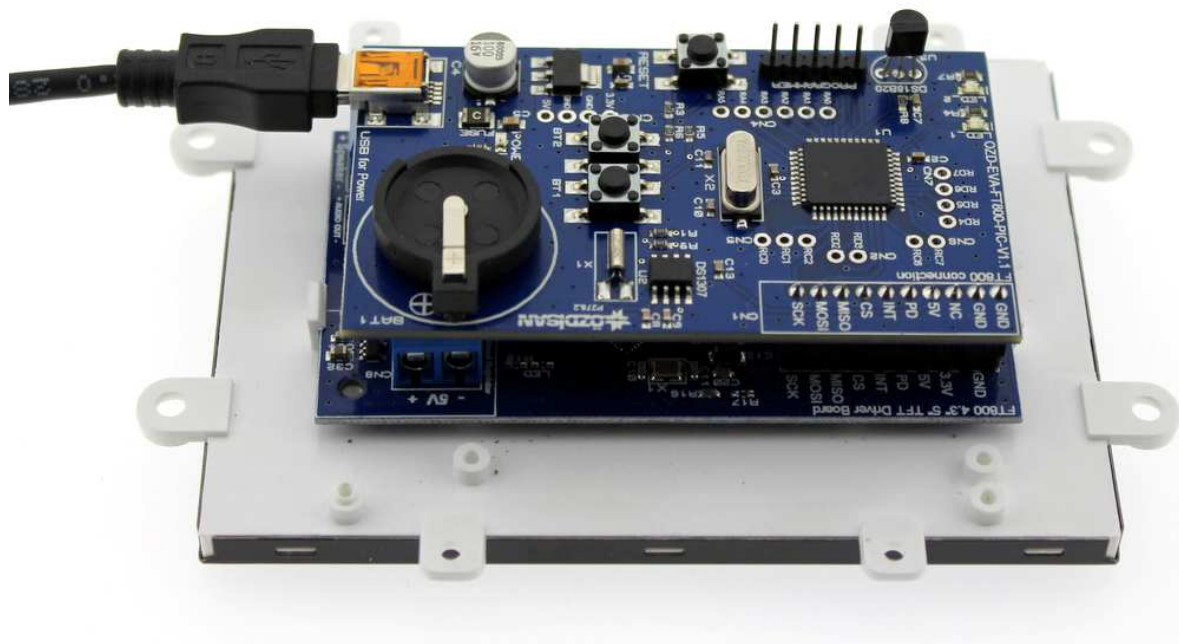


OZD_EVA-FT800-PIC-V1 is a PIC18F46K20 based FT800 demo board. It is including DS1307 (Real time clock), DS12B20 (temperature sensor), 2 button inputs and 2 Leds output. USB mini socket is available for 5V power.

Product Pictures



4.3"- 5" FT800 TFT Driver Board V1



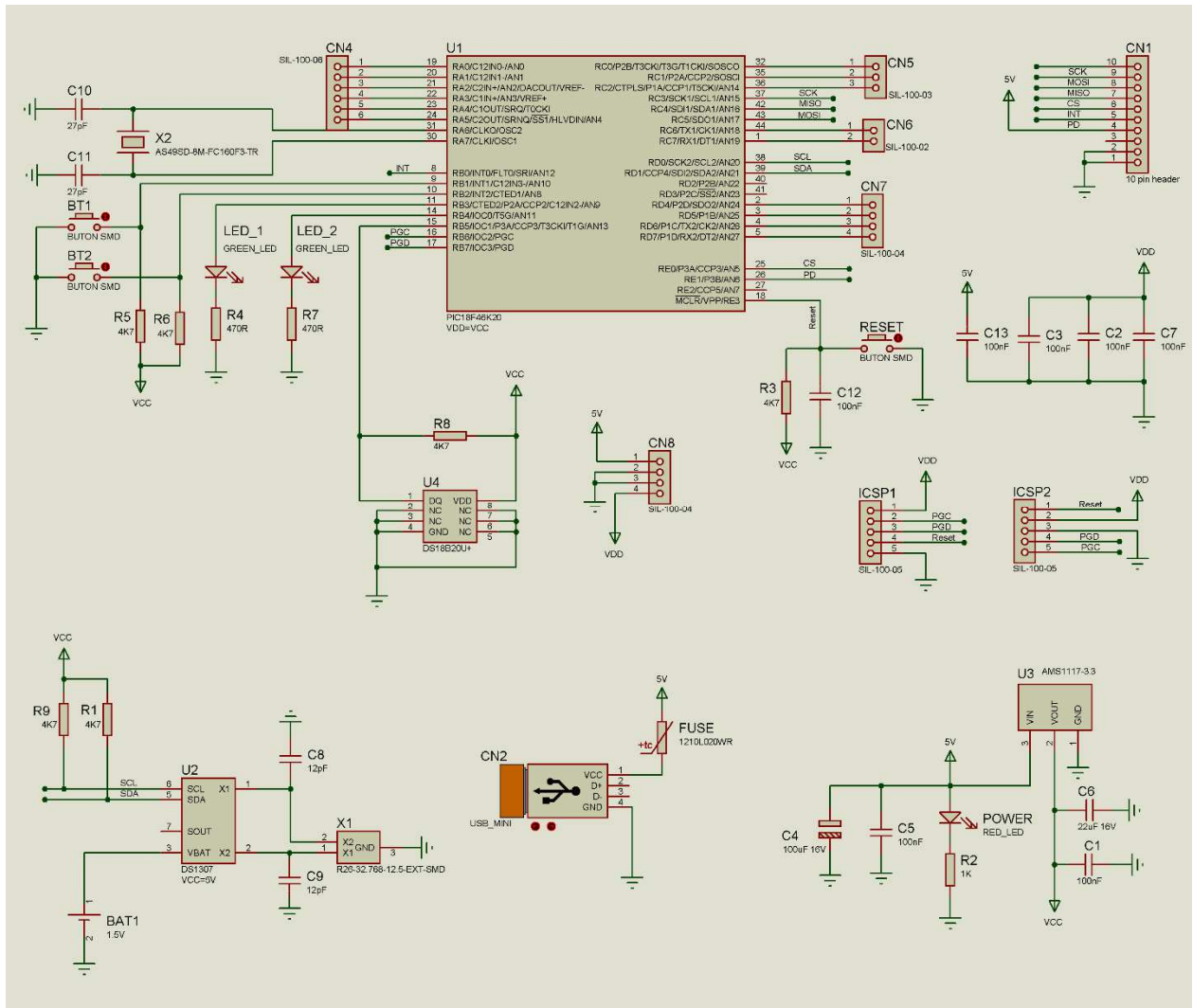
Pin description for CN2: SPI input from User's MCU (FPC cable output available CN1)

Pin No.	Symbol	Function Description
10	GND	GND
9	GND	GND
8	3.3V	Voltage output
7	5V	Board Supply input
6	PD	Board Enable, activate FT800, input, 3.3V-5V
5	INT	Chip Interrupt output, 3.3V
4	CS	SPI chip select, input, active low
3	MISO	SPI Master in, slave out
2	MOSI	SPI Master out, Slave in
1	SCK	SPI Clock input

4.3"- 5" FT800 TFT Driver Board V1

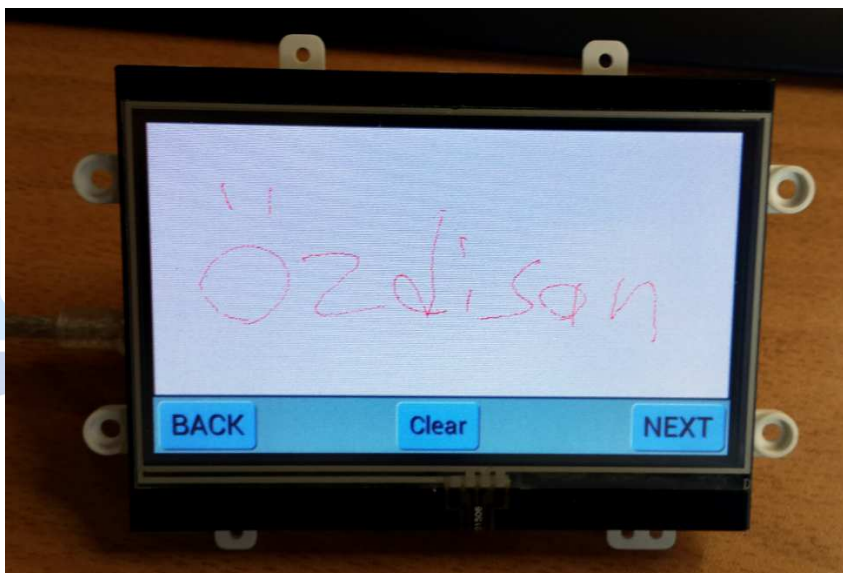


Schematics



OZD_EVA-FT800-PIC-V1 Demo_1 software





Software examples can be downloaded here.

http://www.ftdichip.com/Support/SoftwareExamples/FT800_Projects.htm

<https://github.com/sabrilogic?tab=repositories>

FT800 Driver board

<https://www.ozdisan.com/tfts-lcds-led-displays/tfts/control-boards/OZD-FT800-CRV000-V1>