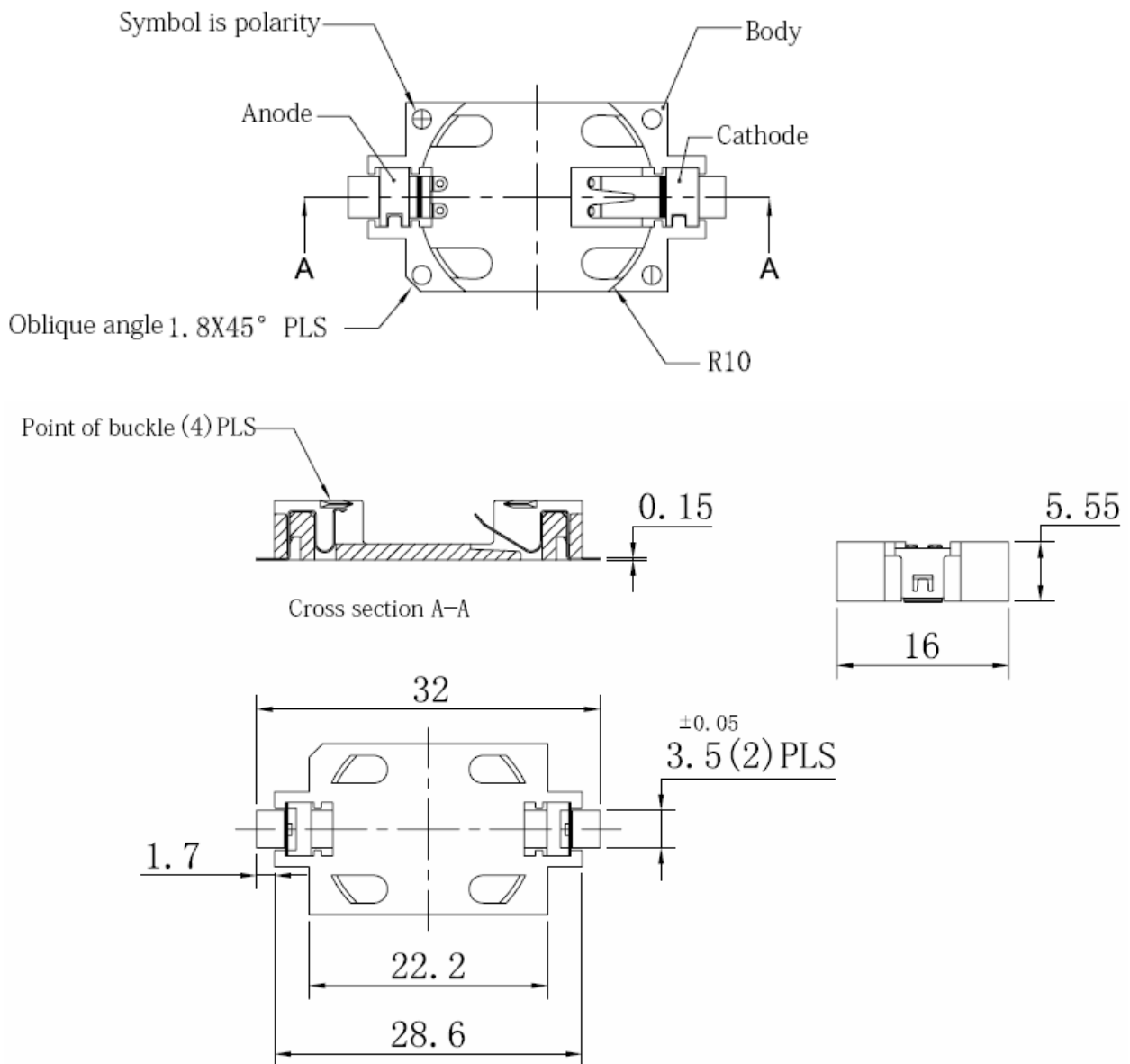
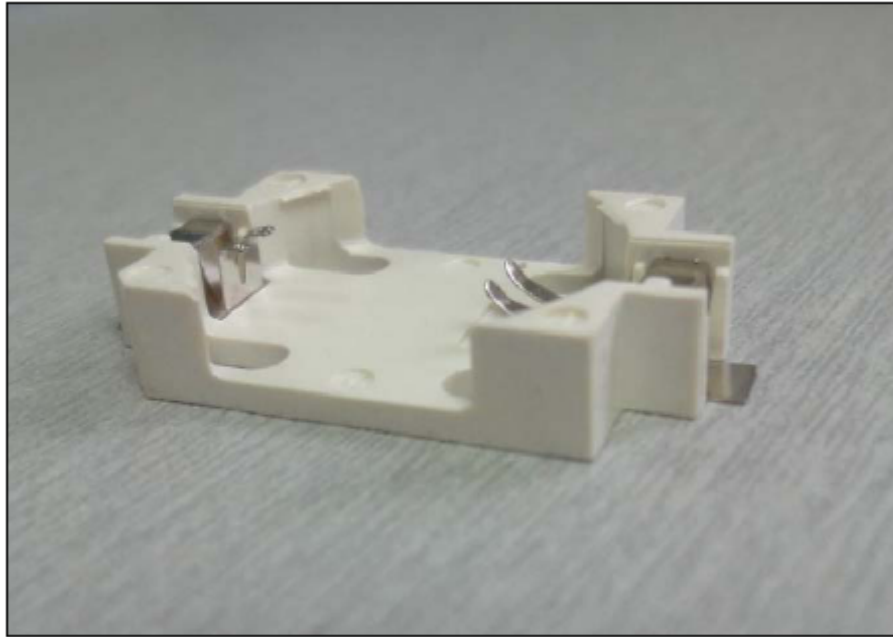


### BH029 (For CR2032)

- \*The battery is solidly anchored in the holder.
- \* You are assured of reliable firm contact.
- \*There is no battery damage from short circuiting or soldering.
- \*BH029 battery holder for CR2032 battery.

#### Battery Holder Dimension (Unit: mm)



**Note:**

1. Body: LCP environmental protection plastic 94V-0,  
Anode and cathode contact piece material: Green phosphor copper
2. Electroplating: Gold plating, tin plating, nickel plating, after salt fog 24H.
3. Packaging: Blister tray packaging(60pcs\* 20 dish=1200pcs / case, 1200pcs /case\*4 case=4800 pcs / carton)  
Tape packing (500 pcs / roll\*7roll=3500 pcs / carton)