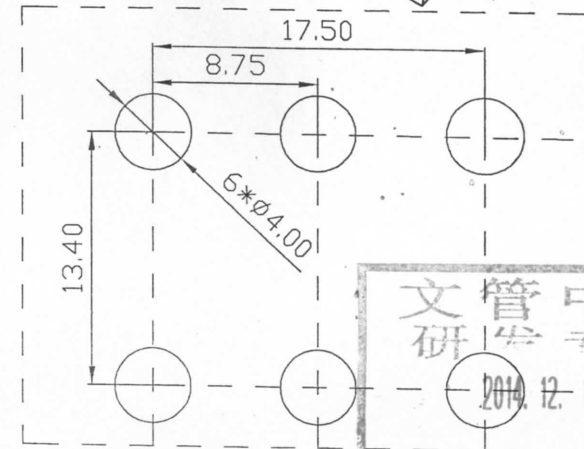
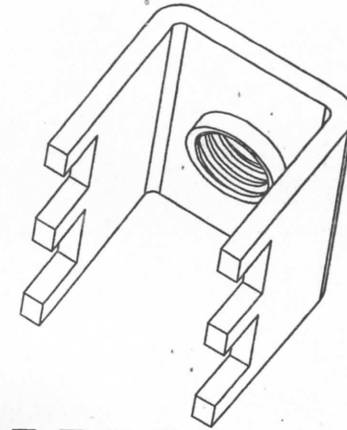
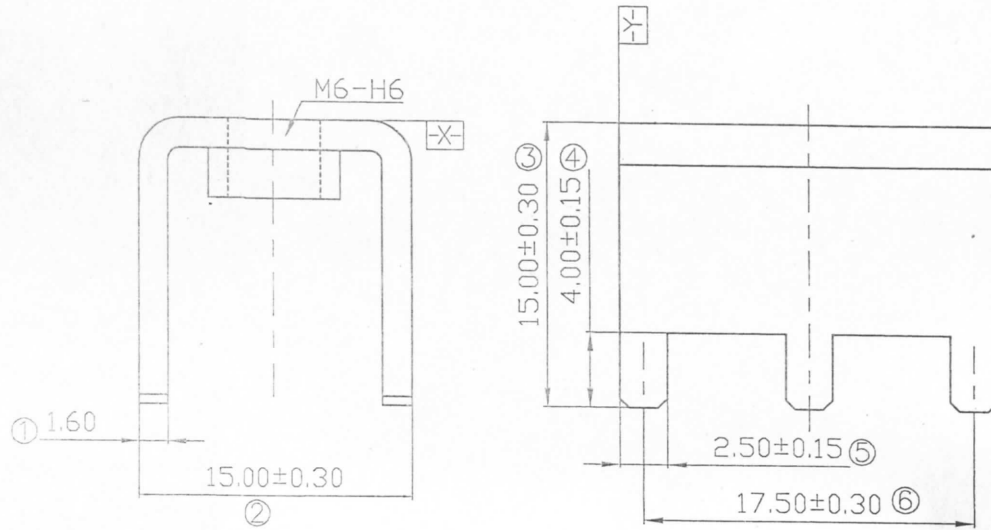


REVISION RECORD				
REV	ECN	DESCRIPTION	DRFT	DATE



文管中心  
研 发 专 用  
2014.12.13  
(仅限内部使用, 对外无效)

NOTES:

1. MATERIAL: COPPER
2. TORQUE VALUE: M6. 18Kgf. cmo
3. RATED CURRENT: 115A
4. SURFACE PLATING: Sn
5. UNDIMENSIONED TOLERANCES:

PITCH RANGE IN MM		NOMINAL DIMENSION RANGE IN MM						-
OVER 6 TO	OVER 10 TO	OVER 10 TO	OVER 24 TO	OVER 30 TO	OVER 60 TO	OVER 100 TO	OVER 150 TO	∩
±0.10	±0.15	±0.25	±0.20	±0.30	±0.50	±0.70	±1.00	∇

1	K36-pin header	C3610	1	Copper	Sn-plated
ITEM	NAME OF PART	NO.OF PART	Q"TY	MATERIAL	NOTES
TOLERANCES EXCEPT AS NOTED		FINISH:			
MATERIAL:		NAME:			
PART NO.:		NAME:			
ANGLES ± 1'		APPD: <i>Rock 12/5-1x</i>		TITLE: ASSEMBLY DRAWING	
THIRD ANGLE PROJECTION		CHKD: <i>Alan 12/05/14'</i>		DRAWING NO.: K36-E01	
DRFT: Apple 03/08/14"		DO NOT SCALE DRAWING		SCALE	1:1
				SHEET	1/1