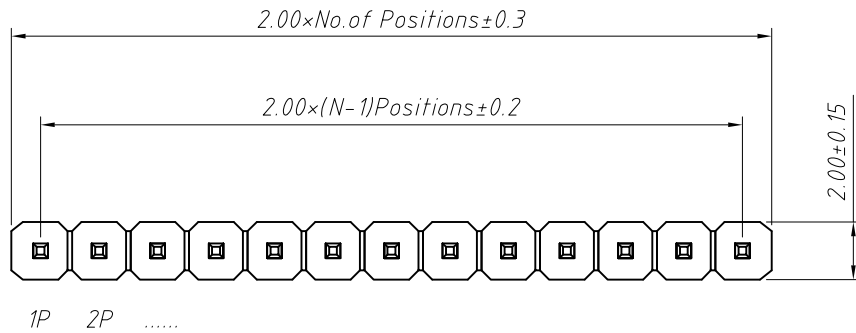
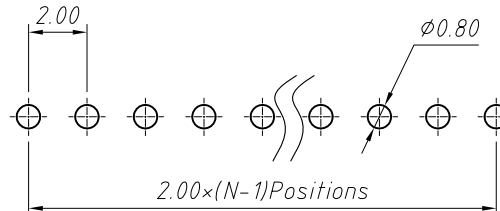


RoHS Compliance



Recommended P.C.B Layout (Top Side)
(PCB BOARD TOLERANCE±0.05)



Material:
Standard: PA6T
Contact: Brass
Insulator: Polyester, UL94V-0

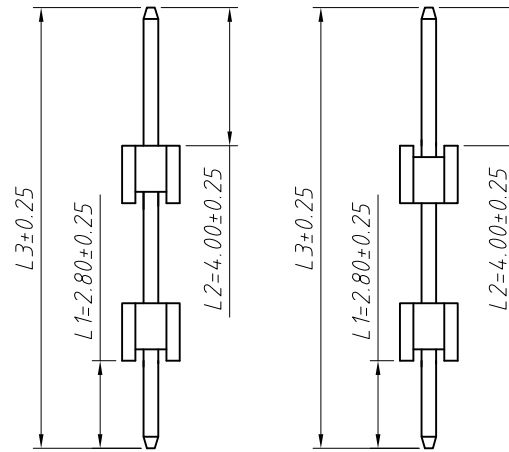
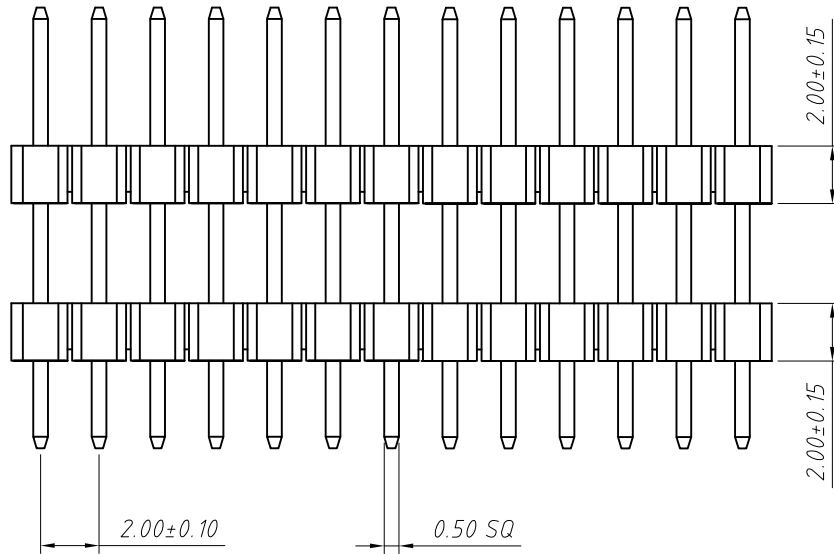
Electrical Characteristics:
Rated Current: 1.5AMP
Contact Resistance: 20mΩ Max
Withstand Voltage: 500V AC/DC
Insulator Resistance: 1000MΩ Min

Mechanical
Operating Temperature: -40°C ~ +105°C
Max. Processing Temp: 240°C for 30-60 seconds
(260°C for 10 seconds)

Order Information:

L-KLS1-218B-2.00-1-XX-S-L1xL2xL3-G0

L: RoHS
Pin Header Series
218B: 2.00mm
Plastics Height:
1.50, 2.00 mm
Per Row: Single layer
Pin: No. of Pins (1x40)
Straight Pin: S Type, S1 Type
Size: L1xL2xL3
Plating:
G0=Gold Flash G1=1u" Gold
G10=10u" Gold G15=15u" Gold
G30=30u" Gold



S Type

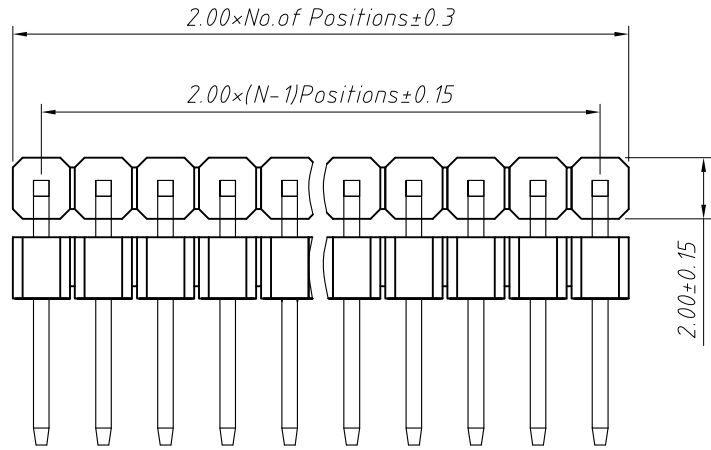
S1 Type

Dimension antitheses list (mm)

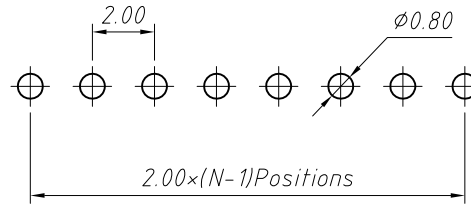
ITEM	L1	L2	L3	Plastic Height
Standard	2.80	4.00	---	2.00
Nonstandard	---	---	---	---

ANGLE TOLERANCE	PROJECTION	Description:	2.00mm Pin Header	
±3°			Single layer, Straight Pin, 1xN Pin	
GENERAL TOLERANCE	UNITS	mm	KLS P/N:	L-KLS1-218B-2.00-1-XX-S-L1xL2xL3-G0
x.x ±0.30	SHEET SIZE	A4		NingBo KLS ELECTRONIC CO.,L TD.
x.xx ±0.20	Draw:	Daniel	2018-07-10	
x.xxx ±0.10	Check:	Daniel	2018-07-10	

RoHS Compliance



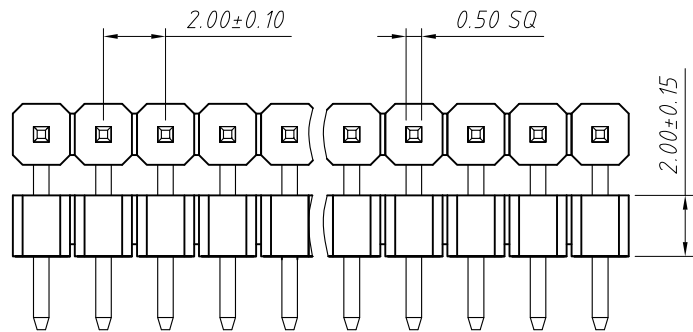
Recommended P.C. Board Layout
(PCB Tolerance ± 0.05 (Top View))



Material:
Standard: PA6T
Contact: Brass
Insulator: Polyester, UL94V-0

Electrical Characteristics:
Rated Current: 1.5AMP
Contact Resistance: 20mΩ Max
Withstand Voltage: 500V AC/DC
Insulator Resistance: 1000MΩ Min

Mechanical
Operating Temperature: -40°C ~ +105°C
Max. Processing Temp: 240°C for 30-60 seconds
(260°C for 10 seconds)

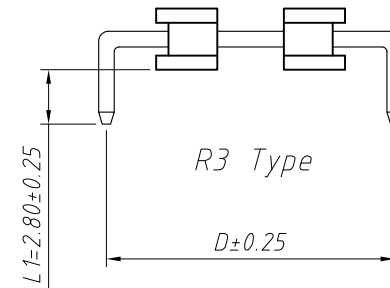
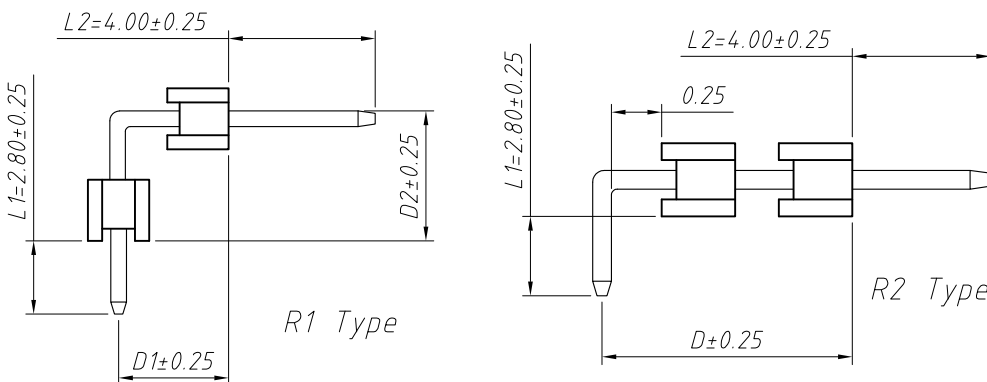


Dimension antitheses list (mm)						
ITEM	L1	L2	D	D1	D2	Plastic Height
Standard	2.80	4.00	---	---	---	2.00
Nonstandard	---	---	---	---	---	---

Order Information:

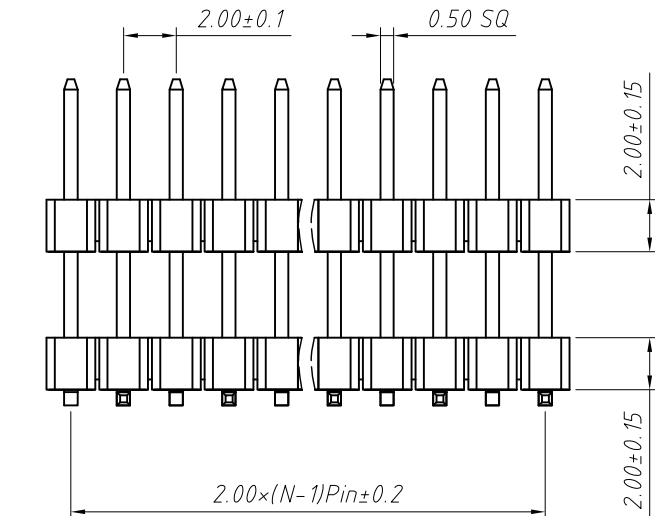
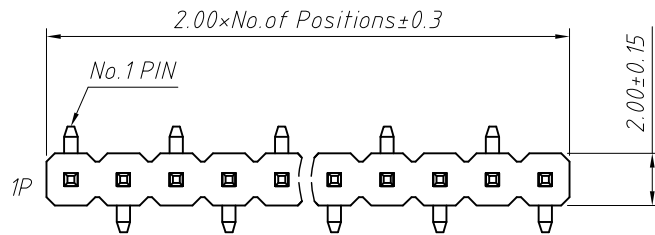
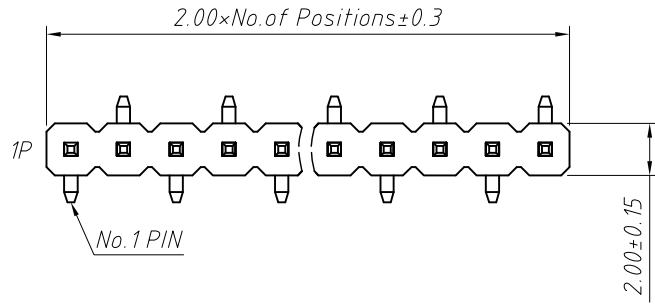
L-KLS1-218B-2.00-1-XX-R2-L1xL2xD-G0

L: RoHS
Pin Header Series
218B: 2.00mm
Plastics Height:
2.00, 1.50 mm
Per Row: Single layer
Pin: No. of Pins (1x40)
Right Angle Pin: R1 Type, R2 Type
Size: L1xL2xD
Plating:
G0=Gold Flash G1=1u" Gold
G10=10u" Gold G15=15u" Gold
G30=30u" Gold

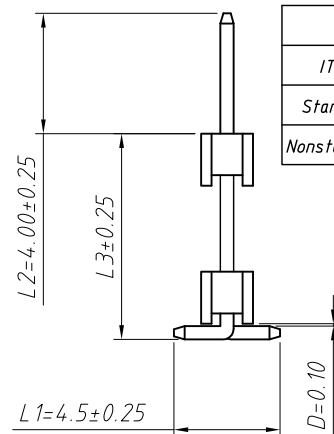
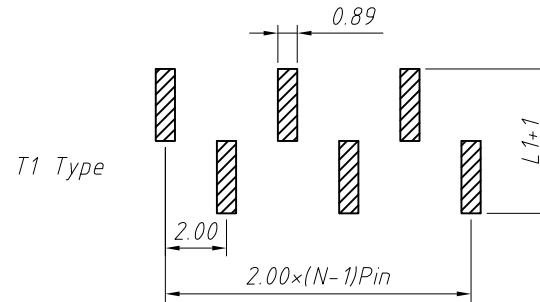
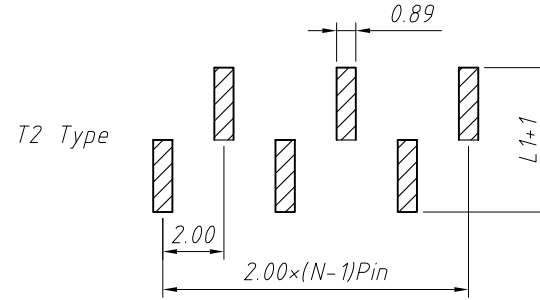


ANGLE TOLERANCE	PROJECTION	Description:	2.00mm Pin Header	
±3°			Single layer, Right Angle Pin, 1xN Pin	
GENERAL TOLERANCE	UNITS	mm	KLS P/N:	L-KLS1-218B-2.00-1-XX-R2-L1xL2xD-G0
x.x ±0.30	SHEET SIZE	A4		
x.xx ±0.20	Draw:	Daniel	2018-07-10	NingBo KLS ELECTRONIC CO.,L TD.
x.xxx ±0.10	Check:	Daniel	2018-07-10	

1 RoHS Compliance



Recommended P.C.B Layout (Top Side)
(PCB BOARD TOLERANCE ± 0.05)



Dimension antitheses list (mm)					
ITEM	L1	L2	L3	D	Plastic Height
Standard	4.50	4.00	---	0.10	2.00
Nonstandard	---	---	---	---	---

Material:
Standard: PA6T
Contact: Brass
Insulator: Polyester, UL94V-0
Electrical Characteristics:
Rated Current: 1.5AMP
Contact Resistance: 20mΩ Max
Withstand Voltage: 500V AC/DC
Insulator Resistance: 1000MΩ Min
Mechanical
Operating Temperature: -40°C ~ +105°C
Max. Processing Temp: 240°C for 30-60 seconds
(260°C for 10 seconds)

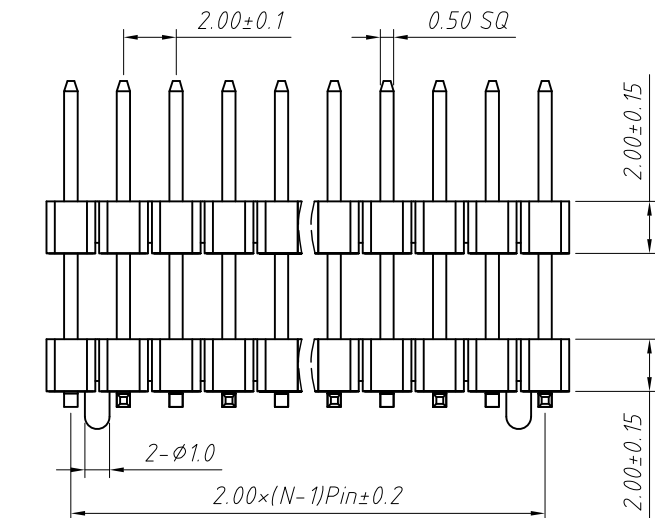
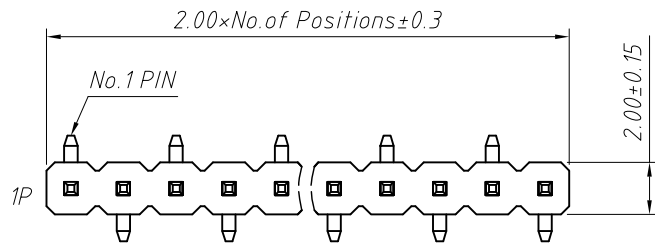
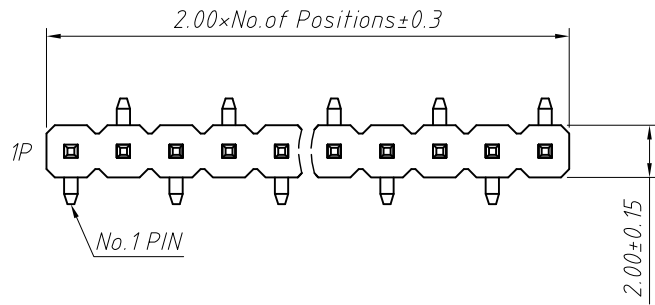
Order Information:
L-KLS1-218B-2.00-1-XX-T1-L1xL2xL3xD-G0-N-R

L: RoHS
Pin Header Series
218B: 2.00mm
Plastics Height:
2.00, 1.50 mm
Per Row: Single layer
Pin: No. of Pins (1x40)
SMT Pin: T1 Type, T2 Type
Size: L1xL2xL3xD
Plating:
G0=Gold Flash G1=1u" Gold G10=10u" Gold
G15=15u" Gold G30=30u" Gold
Post: W=With Post N=W/O Post
Packing:
0=PE Bag A=Tray T=Tube
P=Tube+Cap R=Reel+Cap

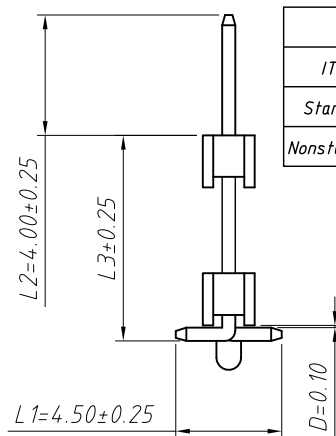
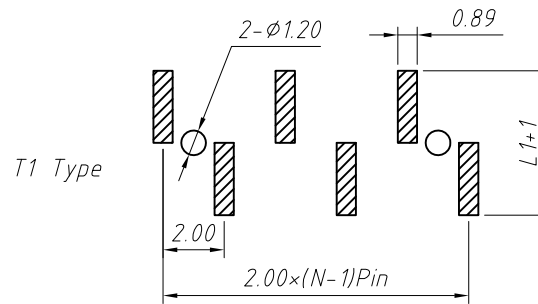
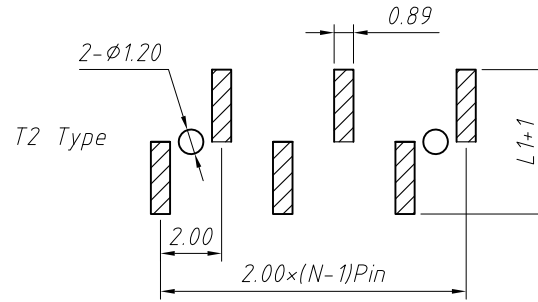
ANGLE TOLERANCE	PROJECTION	Description:	2.00mm Pin Header	
±3°		Single layer, SMT Mounting type, 1xN Pin		
GENERAL TOLERANCE	UNITS	mm	KLS P/N:	L-KLS1-218B-2.00-1-XX-T1-L1xL2xL3xD-G0-N-R
x.x ±0.30	SHEET SIZE	A4		
x.xx ±0.20	Draw:	Daniel	2018-07-10	
x.xxx ±0.10	Check:	Daniel	2018-07-10	

NingBo KLS ELECTRONIC CO., L TD.

1 RoHS Compliance



Recommended P.C.B Layout (Top Side)
(PCB BOARD TOLERANCE ± 0.05)



Dimension antitheses list (mm)					
ITEM	L1	L2	L3	D	Plastic Height
Standard	4.50	4.00	---	0.10	2.00
Nonstandard	---	---	---	---	---

Material:
 Standard: PA6T
 Contact: Brass
 Insulator: Polyester, UL 94V-0
Electrical Characteristics:
 Rated Current: 1.5AMP
 Contact Resistance: 20mΩ Max
 Withstand Voltage: 500V AC/DC
 Insulator Resistance: 1000MΩ Min
Mechanical
 Operating Temperature: -40°C ~ +105°C
 Max. Processing Temp: 240°C for 30-60 seconds
 (260°C for 10 seconds)

Order Information:

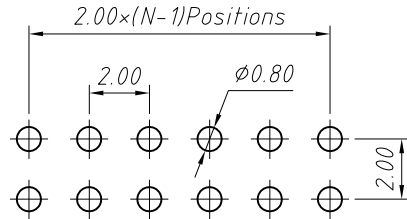
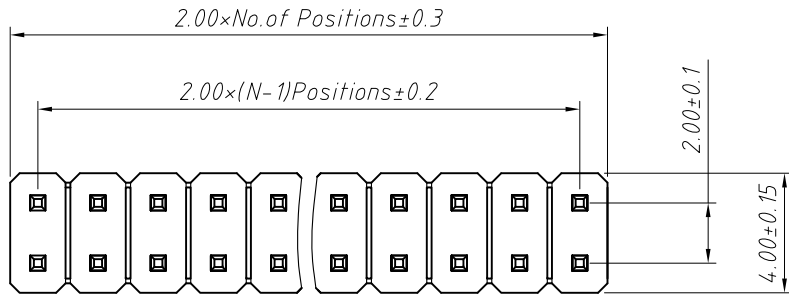
L-KLS1-218B-2.00-1-XX-T1-L1xL2xL3xD-G0-W-R

L: RoHS
 Pin Header Series
 218B: 2.00mm
 Plastics Height:
 2.00, 150 mm
 Per Row: Single layer
 Pin: No. of Pins (1x40)
 SMT Pin: T1 Type, T2 Type
 Size: L1xL2xL3xD
 Plating:
 G0=Gold Flash G1=1u" Gold G10=10u" Gold
 G15=15u" Gold G30=30u" Gold
 Post: W=With Post N=W/O Post
 Packing:
 0=PE Bag A=Tray T=Tube
 P=Tube+Cap R=Reel+Cap

ANGLE TOLERANCE	PROJECTION	Description:	2.00mm Pin Header	
±3°		Single layer, SMT Mounting type, 1xN Pin		
GENERAL TOLERANCE	UNITS	mm	KLS P/N:	L-KLS1-218B-2.00-1-XX-T1-L1xL2xL3xD-G0-W-R
x.x ±0.30	SHEET SIZE	A4		
x.xx ±0.20	Draw:	Daniel	2018-07-10	
x.xxx ±0.10	Check:	Daniel	2018-07-10	

KLS NingBo KLS ELECTRONIC CO., L TD.

1 RoHS Compliance

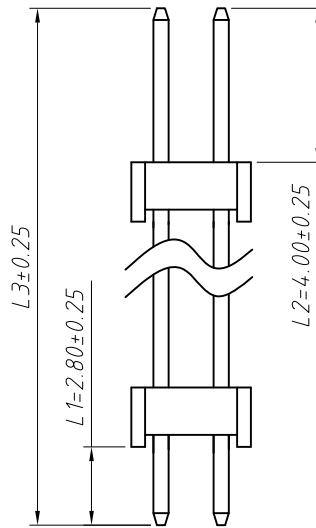
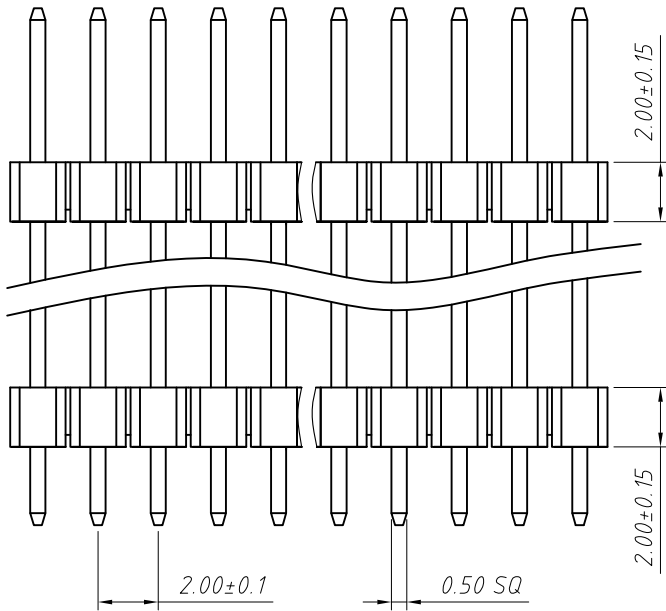


RECOMMEND P.C BOARD LAYOUT
PCB TOLERANCE:±0.05 (TOP VIEW)

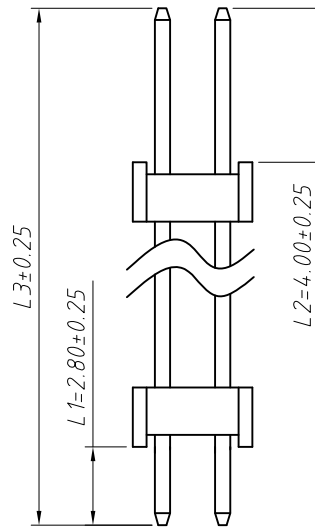
Material:
Standard:PA6T
Contact: Brass
Insulator:Polyester,UL94V-0

Electrical Characteristics:
Rated Current: 1.5AMP
Contact Resistance: 20mΩ Max
Withstand Voltage: 500V AC/DC
Insulator Resistance: 1000MΩ Min

Mechanical
Operating Temperature: -40°C~+105°C
Max.Processing Temp:240°C for 30-60 seconds
(260°C for 10 seconds)



S Type



S1 Type

Order Information:

L-KLS1-218B-2.00-2-XX-S-L1xL2xL3-G0

L: RoHS
Pin Header Series
218B: 2.00mm
Plastics Height:
2.00, 1.50 mm
Per Row:Double layer
Pin: No. of Pins (2x4.0)
Straight Pin:S Type,S1 Type
Size: L1xL2xL3
Plating:
G0=Gold Flash G1=1u" Gold
G10=10u" Gold G15=15u" Gold
G30=30u" Gold

Dimension antitheses list (mm)

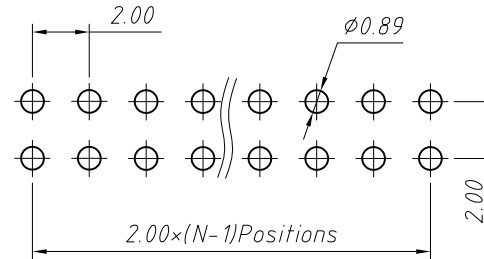
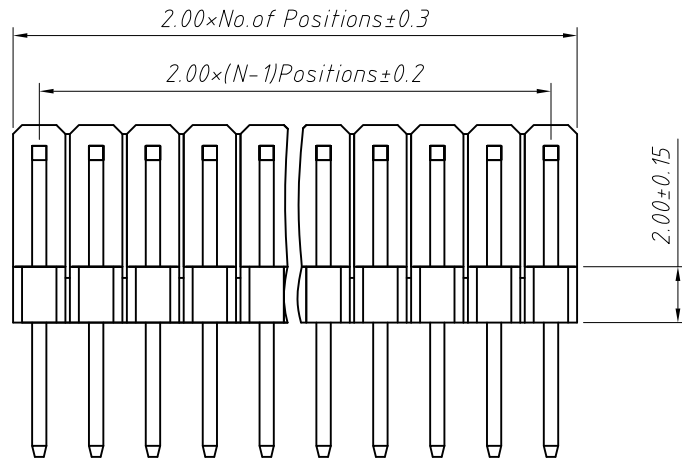
ITEM	L1	L2	L3	Plastic Height
Standard	2.80	4.00	---	2.00
Nonstandard	---	---	---	---

ANGLE TOLERANCE	PROJECTION	Description:
±3°		2.00mm Pin Header Double layer, Straight Pin, 2xN Pin
GENERAL TOLERANCE	UNITS	mm
x.x ±0.30	SHEET SIZE	A4
x.xx ±0.20	Draw:	Daniel 2018-07-10
x.xxx ±0.10	Check:	Daniel 2018-07-10

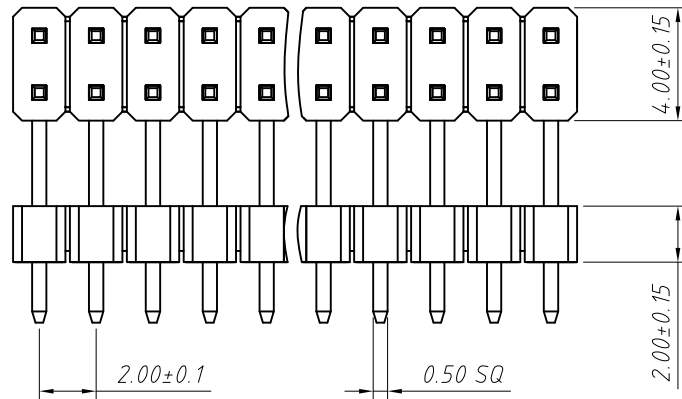


NingBo KLS ELECTRONIC CO.,LTD.

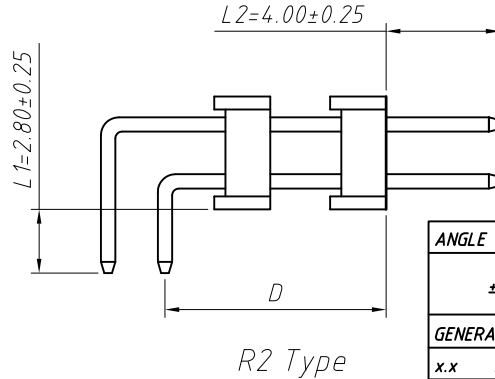
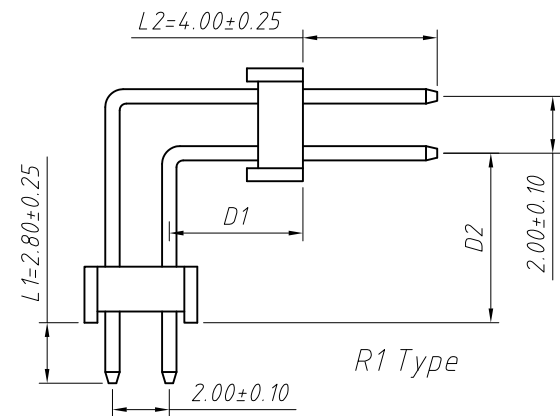
RoHS Compliance



RECOMMEND P.C.BOARD LAYOUT
PCB TOLERANCE:±0.05 (TOP VIEW)



Dimension antitheses list (mm)						
ITEM	L1	L2	D	D1	D2	Plastic Height
Standard	2.80	4.00	---	---	---	2.00
Nonstandard	---	---	---	---	---	---



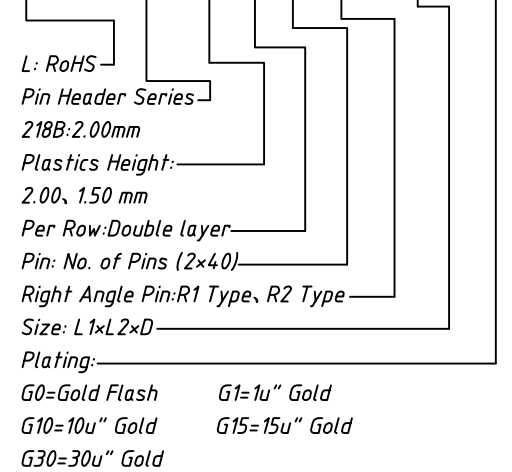
Material:
Standard:PA6T
Contact: Brass
Insulator:Polyester,UL 94 V-0

Electrical Characteristics:
Rated Current: 1.5AMP
Contact Resistance: 20mΩ Max
Withstand Voltage: 500V AC/DC
Insulator Resistance: 1000MΩ Min

Mechanical
Operating Temperature: -40°C~+105°C
Max.Processing Temp:240°C for 30-60 seconds
(260°C for 10 seconds)

Order Information:

L-KLS1-218B-2.00-2-XX-R2-L1xL2xD-G0

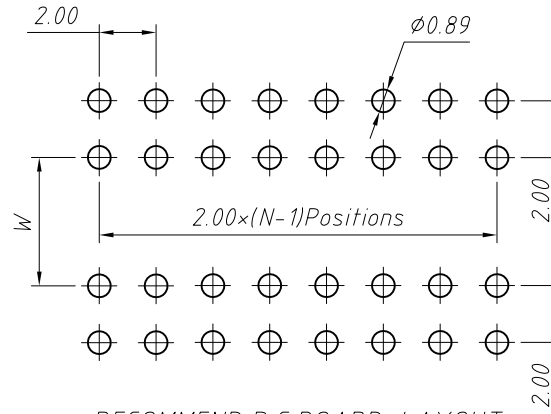
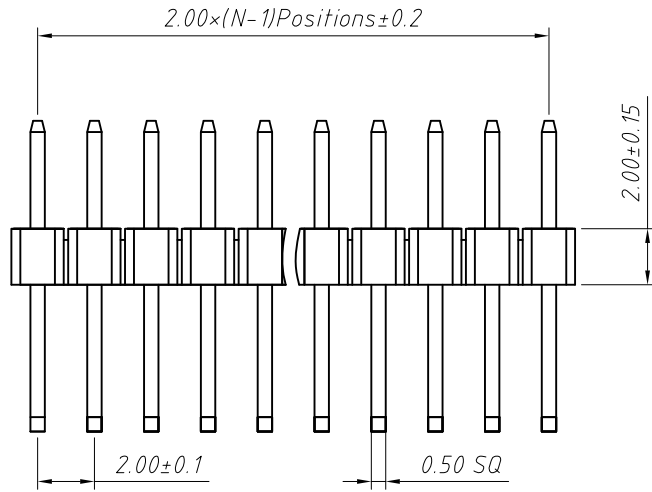


ANGLE TOLERANCE	PROJECTION	Description:
±3°		2.00mm Pin Header Double layer,Right Angle Pin,2xN Pin
GENERAL TOLERANCE	UNITS	mm
x.x ±0.30	SHEET SIZE	A4
x.xx ±0.20	Draw:	Daniel 2018-07-10
x.xxx ±0.10	Check:	Daniel 2018-07-10

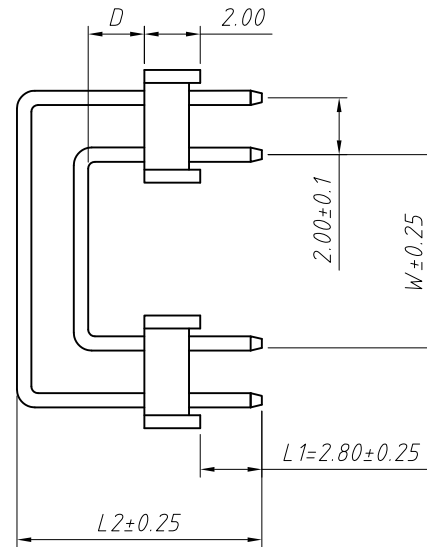
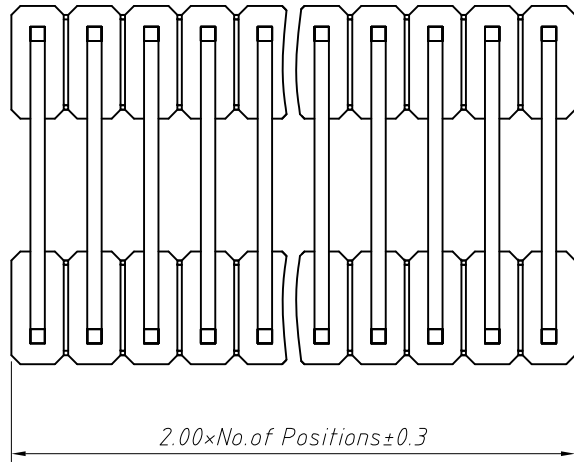


NingBo KLS ELECTRONIC CO.,L TD.

RoHS Compliance



RECOMMEND P.C.BOARD LAYOUT
PCB TOLERANCE: ±0.05 (TOP VIEW)



Material:
Standard: PA6T
Contact: Brass
Insulator: Polyester, UL 94V-0

Electrical Characteristics:
Rated Current: 1.5AMP
Contact Resistance: 20mΩ Max
Withstand Voltage: 500V AC/DC
Insulator Resistance: 1000MΩ Min

Mechanical
Operating Temperature: -40°C ~ +105°C
Max. Processing Temp: 240°C for 30-60 seconds
(260°C for 10 seconds)

Order Information:
L-KLS1-218B-2.00-2-XX-R3-L1xL2xDxW-G0

L: RoHS
Pin Header Series
218B: 2.00mm
Plastics Height:
2.00, 1.50 mm
Per Row: Double layer
Pin: No. of Pins (2x40)
Type: Right Angle Pin
Size: L1xL2xDxW
Plating:
G0=Gold Flash G1=1u" Gold
G10=10u" Gold G15=15u" Gold
G30=30u" Gold

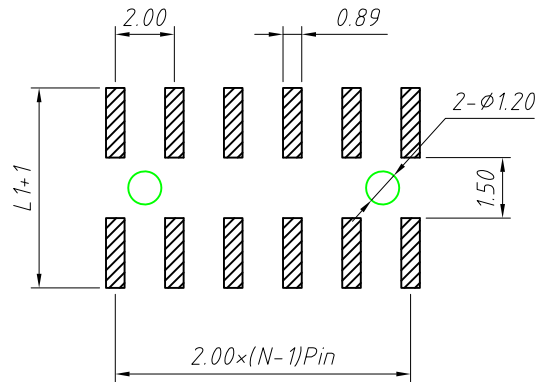
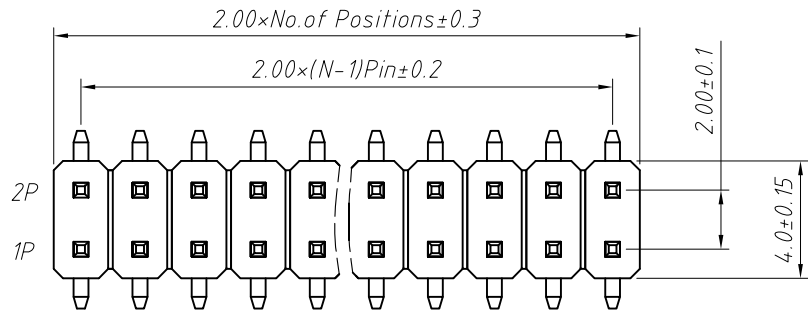
Dimension antitheses list (mm)

ITEM	L1	L2	D	W	Plastic Height
Standard	2.80	---	---	---	2.00
Nonstandard	---	---	---	---	---

ANGLE TOLERANCE	PROJECTION	Description:	2.00mm Pin Header	
±3°		Double layer, Right Angle Pin, 2xN Pin		
GENERAL TOLERANCE	UNITS	mm	KLS P/N:	L-KLS1-218B-2.00-2-XX-R3-L1xL2xDxW-G0
x.x ±0.30	SHEET SIZE	A4		
x.xx ±0.20	Draw:	Daniel	2018-07-10	
x.xxx ±0.10	Check:	Daniel	2018-07-10	

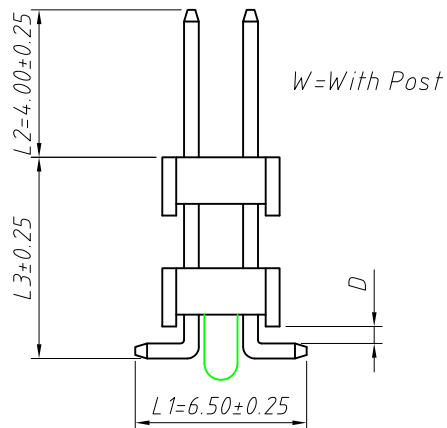
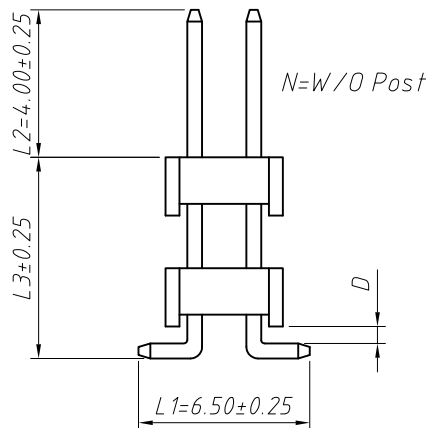
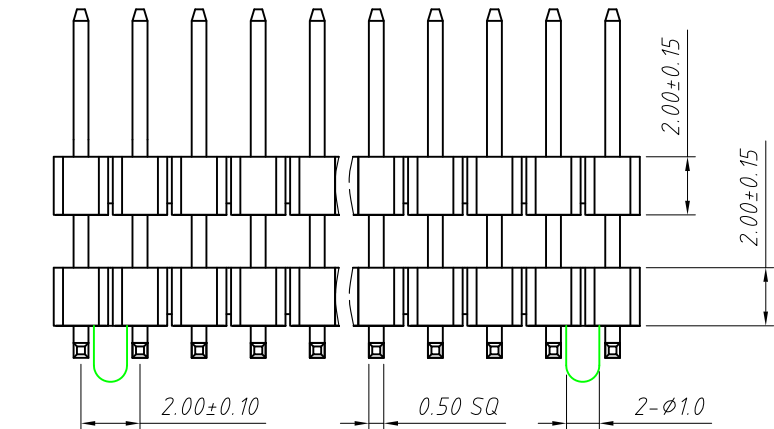
NingBo KLS ELECTRONIC CO.,L.TD.

1 RoHS Compliance



Recommended P.C.B Layout (Top Side)
(PCB BOARD TOLERANCE ± 0.05)

Dimension antitheses list (mm)					
ITEM	L1	L2	L3	D	Plastic Height
Standard	6.50	4.00	---	0.10	2.00
Nonstandard	---	---	---	---	---



Material:
Standard: PA6T
Contact: Brass
Insulator: Polyester, UL 94V-0
Electrical Characteristics:
Rated Current: 1.5AMP
Contact Resistance: 20mΩ Max
Withstand Voltage: 500V AC/DC
Insulator Resistance: 1000MΩ Min
Mechanical
Operating Temperature: -40°C ~ +105°C
Max. Processing Temp: 240°C for 30-60 seconds
(260°C for 10 seconds)

Order Information:

L-KLS1-218B-2.00-2-XX-T-L1xL2xL3xD-G0-W-R

L: RoHS
Pin Header Series
218B: 2.00mm
Plastics Height:
2.00, 1.50 mm
Per Row: Double layer
Pin: No. of Pins (2x40)
Type: SMT Mounting type
Size: L1xL2xL3xD
Plating:
G0=Gold Flash G1=1u" Gold G10=10u" Gold
G15=15u" Gold G30=30u" Gold
Post: W=With Post N=W/O Post
Packing:
0=PE Bag A=Tray T=Tube
P=Tube+Cap R=Reel+Cap

ANGLE TOLERANCE	PROJECTION	Description:	2.00mm Pin Header	
±3°		Double layer, SMT Mounting type, 2xN Pin		
GENERAL TOLERANCE	UNITS	mm	KLS P/N:	L-KLS1-218B-2.00-2-XX-T-L1xL2xL3xD-G0-W-R
x.x ±0.30	SHEET SIZE	A4		
x.xx ±0.20	Draw:	Daniel	2018-07-10	
x.xxx ±0.10	Check:	Daniel	2018-07-10	

NingBo KLS ELECTRONIC CO., L TD.