

Technical Document

FD 1225 24 B 50



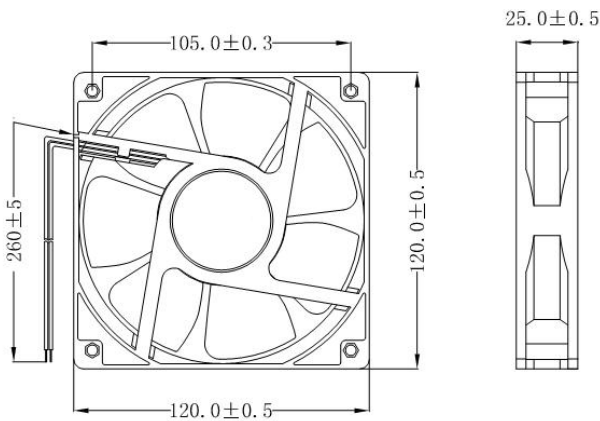
December 2015, Brussels

Features

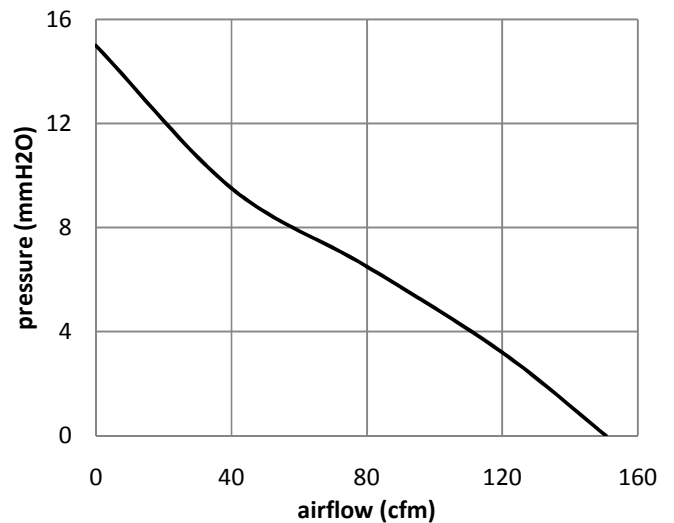
Parameter	Units	Specifications
Dimensions	mm	120x120x25
Weight	gram	124
Power Supply	VDC	24
Current	A	0.60
Power Input	W	14.4
Speed	RPM	5000
Air Flow	cfm	150.71
Static Pressure	mmH ₂ O	14.99
Sound Level	dba	56.6
Operating Temp.	°C	-10~+70
Life	hours	50000
Bearing	-	Ball bearing
Housing Material	-	UL 94-0 rating thermoplastic
Impeller Material	-	UL 94-0 rating thermoplastic
Electrical Connection	-	Lead wires (L)
Polarity Protection	-	Open circuit when Vcc and GND are exchanged.
Certifications	-	CE

*: above specifications are subject to change without prior notice

Dimensions



Performance



Ordering Code:

Model	Part Number	Description
FD1225 24 B 50	200231	DC120x120x25 fan, 5000 rpm, ball bearing, lead wires