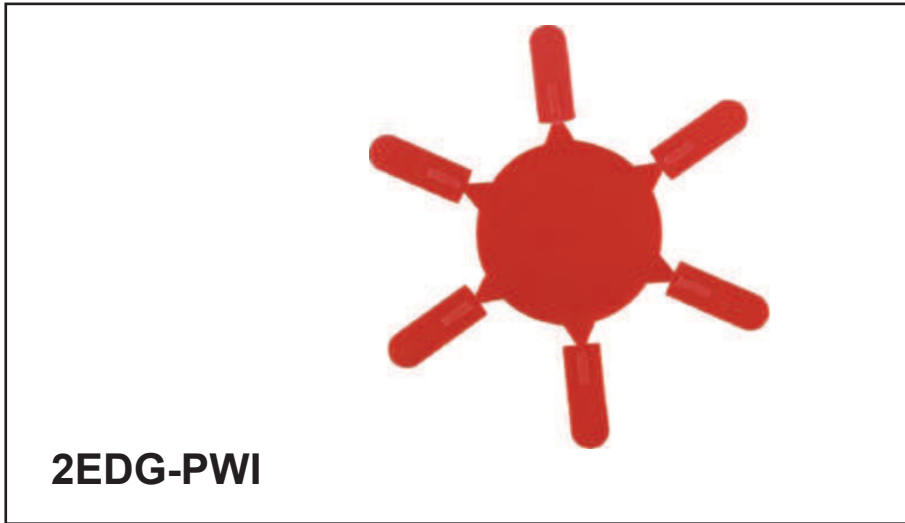


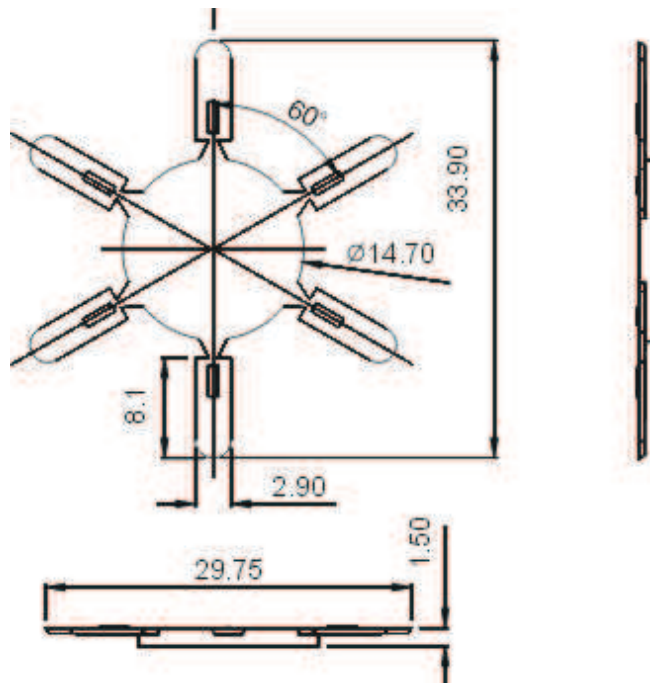


DEGSON ELECTRONICS CO., LTD.

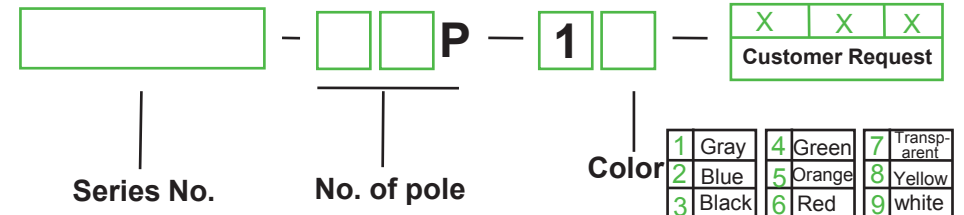
Product Specification



Approval	
Mechanical	
Ambient temperature	-40°C~+105 °C
Material	
Housing	POM,UL94 V-HB



HOW TO ORDER :



mm (INCH)	DEGSON ELECTRONICS CO., LTD.
THROANGLE PROJECTION	NAME 2EDG-PWI