

ALUMINUM ELECTROLYTIC CAPACITORS

APPROVAL NO.

BLA 35 VC 10 (M)

SERIES

BLA

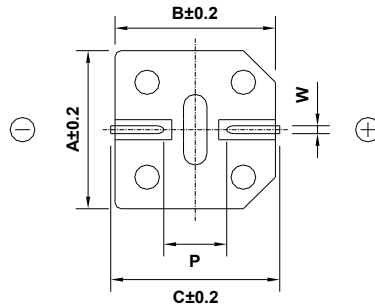
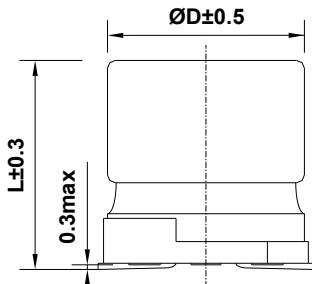
RATING

35 V 10 μ F

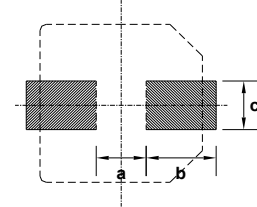
CASE SIZE

\varnothing 5 × 5.2L

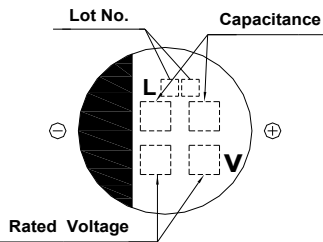
A. DIAGRAM OF DIMENSION



Recommended Solder land on PC board



█ : Solder land on PC board



Case code	ØD	L	A	B	C	W	P	a	b	c
E55	5	5.2	5.3	5.3	5.9	0.5 ~ 0.8	1.4	1.4	3.0	1.6

B. ELECTRICAL CHARACTERISTICS

- A. OPERATING TEMPERATURE RANGE : -40 ~ +105°C
- B. RATED VOLTAGE : 35 V_{DC}
- C. SURGE VOLTAGE : 44 V_{DC}
- D. CAPACITANCE TOLERANCE : ± 20% at 20°C, 120Hz
- E. LEAKAGE CURRENT : Lower 3.5 μ A, after 2 minutes at 20°C
- F. DISSIPATION FACTOR (TAN δ) : Lower 0.13 at 20°C, 120Hz
- G. MAX. RIPPLE CURRENT : 25 mArms at 105°C, 120Hz
- H. TEMPERATURE CHARACTERISTIC :

* Max. Impedance ratio $Z(-25^\circ\text{C}) / Z(20^\circ\text{C}) = \underline{2}$
 $Z(-40^\circ\text{C}) / Z(20^\circ\text{C}) = \underline{3}$ (at 120Hz)

I. LOAD LIFE : The following specifications shall be satisfied when the capacitors are restored to 20°C after the rated voltage applied for 5,000 hours at 105°C.

- # Capacitance change \leq ± 30% of the initial value
- # Tan δ \leq 300% of the initial specified value
- # Leakage Current \leq The initial specified value

J. SHELF LIFE : The following specifications shall be satisfied when the capacitors are restored to 20°C after exposing them for 1,000 hours at 105°C without voltage applied. The rated voltage shall be applied to the capacitors for a minimum of 30 minutes, at least 24 hours and not more than 48 hours before the measurement.

- # Capacitance change \leq ± 30% of the initial value
- # Tan δ \leq 300% of the initial specified value
- # Leakage Current \leq The initial specified value

K. CLEANING CONDITIONS : Solvent-proof → Refer to Cleaning conditions (Page 6)

L. OTHERS : Satisfied characteristics KS C IEC 60384-4

