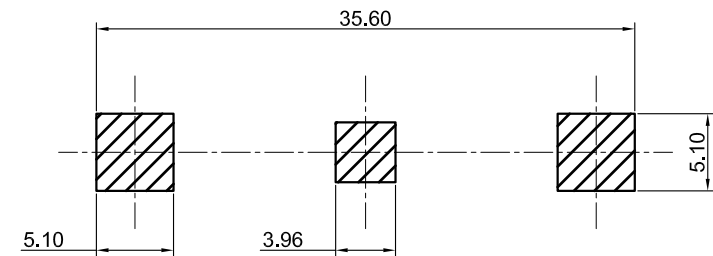
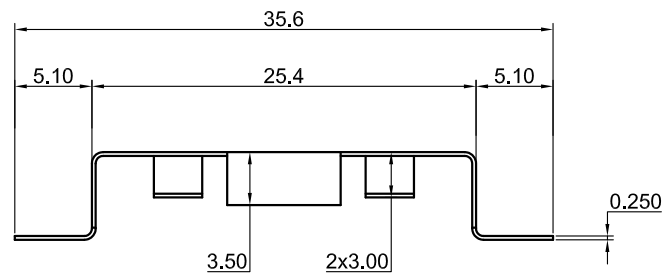
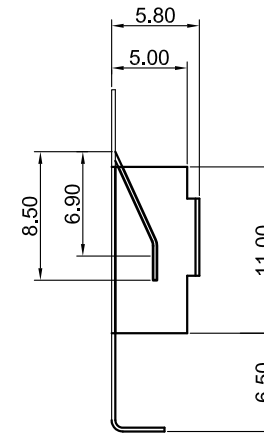
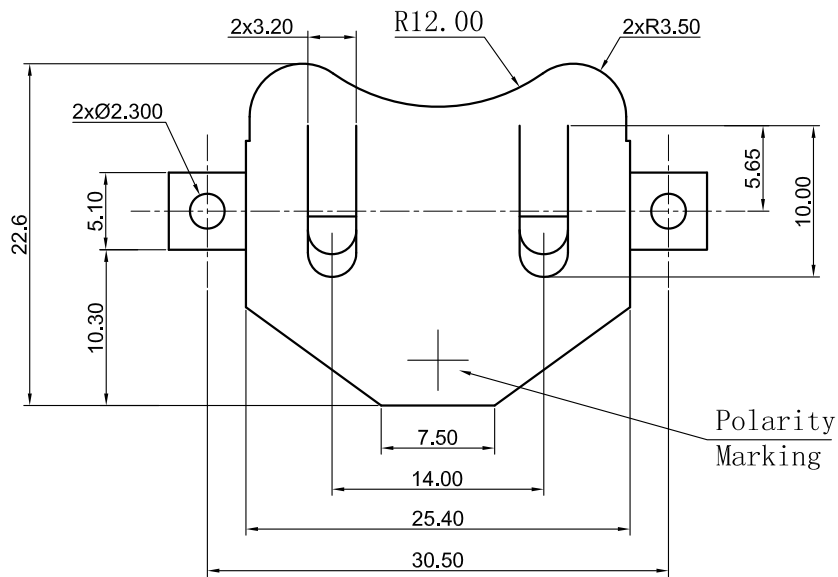


REV	DESCRIPTION	DATE
A0	INITIAL RELEASE	2015-02-15



PCB MOUNTING LAYOUT

SPECIFICATION

- PART NO. : L-KLS5-CR2450-11
- MATERIAL: MATERIAL: 0.25MM PHOSPHOR BRONZE, NICKEL PLATED
- DURABILITY: REPEATED MATED 200 CYCLES WITH A 2450 STYLE BATTERY
- TOLERANCE: ISO 2768-M, UNLESS OTHERWISE SPECIFIED
- PROCESS CORNER: USE MINIMUM BEND RADII
- SURFACE NO BURRS, NO GREASE
- RoHS COMPLIANT

MATERIAL:	SEE NOTES	Rev	KLS ELECTRONIC CO., LTD			
FINISH:	SEE NOTES	A0	BATTERY HOLDER: L-KLS5-CR2450-11			
UNLESS OTHERWISE SPECIFIED TOLERANCES			NAME	APVD	Jia guo	2015-02-15
DECIMALS	ANGLES	SCALE	2:1	CHKD	Wang quchun	2015-02-15
X : ±0.30	X : ±3°	UNIT	DWN	Zhang jianbing	2015-02-15	
X.X : ±0.25	X.X : ±1°	MM	DR NO			
X.XX : ±0.20	THIRD-ANGLE PROJECTION	SHEET: 1 OF 1				
X.XXX : ±0.10						