

Ceramic Disc Capacitors

High Permittivity Series (Class II 50V ~ 1KV)



• Features

- ⊙ Non linear temperature coefficient of capacitance.
- ⊙ Large capacitance in small size.

• Specifications

Operating Temperature Range 操作溫度範圍	Y5E,Y5P:-30°C~+85°C; Z5U,Z5V:+10°C~+85°C
Rated Working Voltage (DC) 工作電壓	50V, 63V, 100V, 500V, 1KV
Capacitance 電容器	Measured at 25°C, 1KHz, 1Vms.max.
Capacitance Tolerance 電容誤差值	±10% (K), ±20%(M), +50%-10%(R),+80%-20%(Z)
Insulation Resistance 絕緣電阻值	10,000MΩ min. at working voltage,60 sec.
Dissipation Factor (D.F.) 散逸因子	Measured at 25°C, 1KHz, 1V ms, max. Y5E, Y5P, Z5U: 2.5% max. Z5V: 5.0% max.
Voltage Proof (Flash Test) 電壓防護	Withstand 250% of rated working voltage with 50mA current, 1.5sec.
Life Test 壽命測試	200% of rated voltage at 85°C for 500 hours.
Applicable Standards 適用標準	EIA RS-198 (CLASS II), JIS C-6422 (TYPE II)

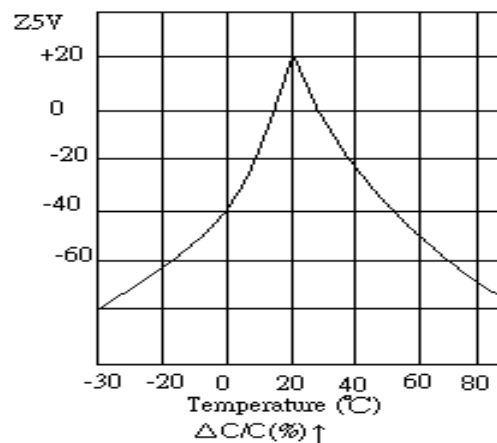
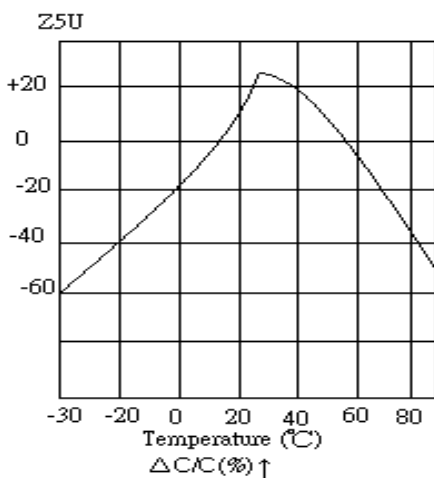
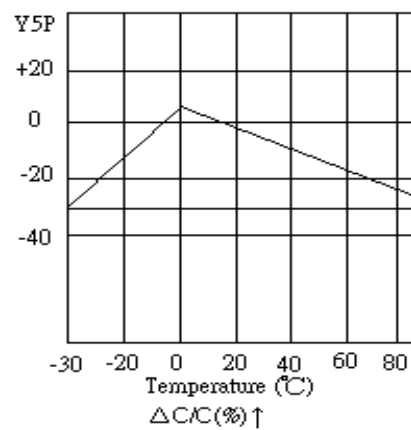
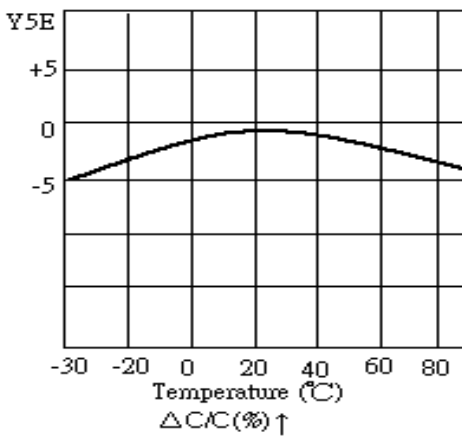
• How to order

H (1)	B (2)	1H (3)	101 (4)	K (5)	L (6)	5 (7)	1 (8)	5 (9)	Y (10)
CLASS II H series	DIELECTRIC B=Y5P/Y5E E=Z5U F-Z5V	RATED VOLTAGE 1H=50V 1J=63V 2A=100V 2H=500V 3A=1KV	CAPACITANCE 1PF = 1R0 1.5PF = 1R5 2.2PF =2R2 100PF=101 120PF=121 10nF=103 100nF= 104	TOLERANCE K=±10% M=±20% Z=+80 ~ -20%	LEAD SHAPE K=Short kink (Bulk) S=Short Straight (Bulk) L=Long Straight (Bulk) A=Tape/Reel (Long Straight) B=Tape/Box (Long Straight) C=Tape/reel (Long kink) D=Tape/Box (Long kink)	LEAD SPACING 2=2.5±0.8 5=5.0±0.8 6=6.3±0.8 7=7.5±0.8 0=10 ±0.8	LEAD LENGTH 3=3.5±1.0 5=5.0±0.8 6=6.3±0.8 0=10 ±0.8 1= 25mm	LEAD WIRE 5=16V~500V (Φ0.48±0.05) 6=1KV (Φ0.5±0.05) 8=2KV (Φ0.45±0.6) 9=3KV (Φ0.6±0.05)	GRADE Y= -25°C ~+85°C Z= -10°C ~+70°C

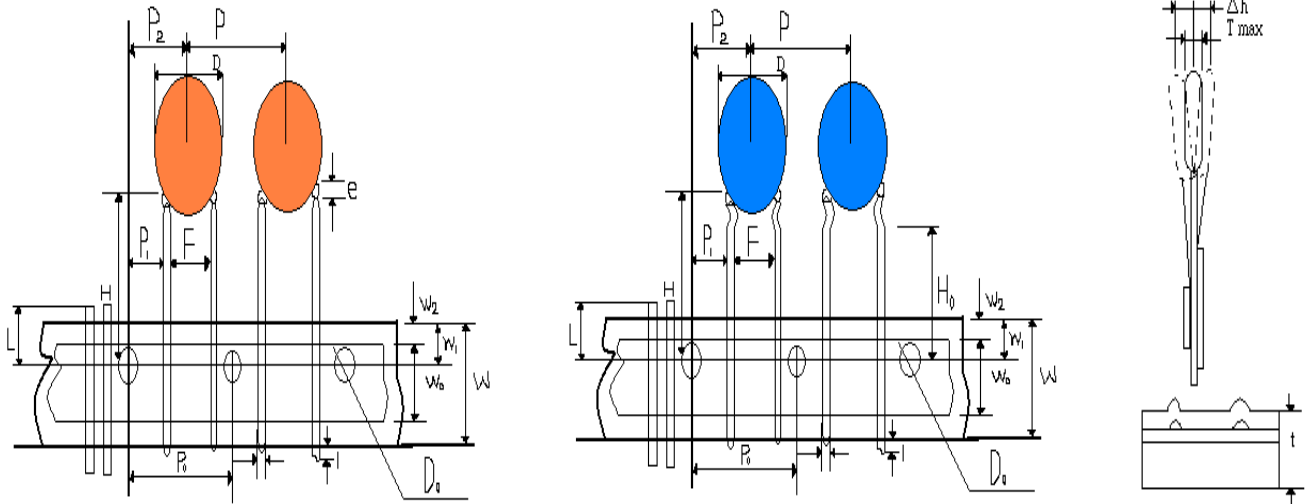
• **Dimensions & Capacitance range**

W.V. 電壓 (DC)	Dimensions 尺寸			Capacitance range (pF) of each Temperature Coefficient 各溫度係數之電容值		
	D	T	dφ	Y5P/Y5E	Z5U	Z5V
50.63.100	5	3	0.5	100-2200	1000-4700	1000-10000
	6	3	0.5	2700~3300	5600~10000	15000~22000
	7	3	0.5	4700~5000	-	
	8	3	0.5	5600~6800	15000	-
	9	3	0.5		-	40000~47000
	10	3	0.5	10000		-

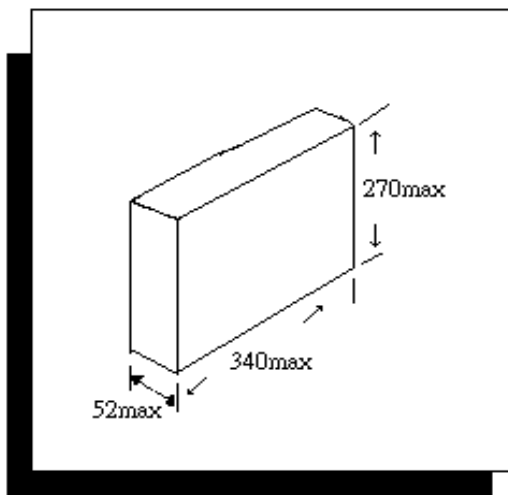
• **Temperature characteristic curves**



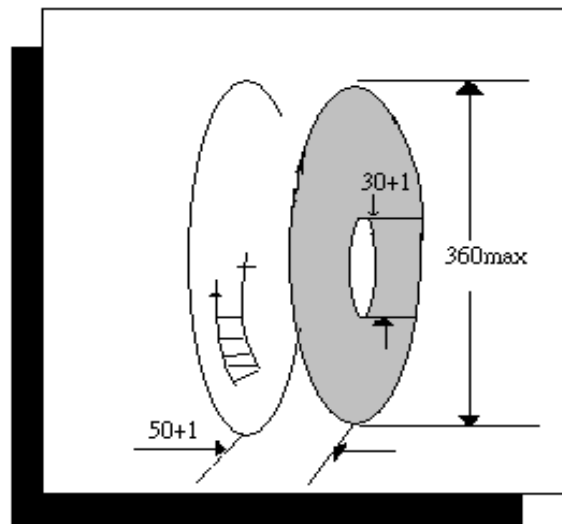
• Taping Specifications



AMMOPACK 編帶盒裝 2000pcs per Box



REEL 編帶捲裝 2000 or 2500 pcs Reel Unit mm



• Taping Specifications

Item 項目	Symbol 符號	Specifications 規格		Remarks 備註
		Value 尺寸	Tolerance 誤差	
Body Width 本體直徑	D	11.0	Max.	
Body Thickness 本體厚度	T	3.5	Max.	
Lead-wire diameter 引線直徑	d	0.55	+0.06-0.05	
Pitch of component 部品間寬距	P	12.7	±1.0	
Feed hole pitch 進料孔寬距	P0	12.7	±0.3	Cumulative pitch error. 1.0 mm /20 pitch 累積誤差
Feed hole center to lead 進料孔到引線寬	P1	3.85	±0.7	To be measured at bottom 在底部量測
Hole to component center 進料孔到部品寬	P2	6.35	±1.3	
Component alignment 部品排列偏度	h	0	±0.2	
Tape width 紙帶寬度	W	18.0	+1.0-0.5	
Hold-down tape width 膠帶寬度	W0	11.0	Min.	
Hole position 進料孔位置	W1	9.0	+0.75-0.5	
Hole-down tape position 膠帶位置	W2	3.0	Max.	
Height of component from Tape center 部品與紙帶中心高度	H	20.0	+1.0-0.5	For Straight Lead Type 直引線型
	H0	16.0	±0.5	For Kinked Lead Type 彎引線型
Lead-to-lead distance 引 線寬度	F	5.0	±0.8	
Lead-wire protrusion 引線凸出量	l	2.0	Max.	
Feed hole diameter 進料孔直徑	D0	4.0	±0.3	
Total tape thickness 總紙帶厚度	t	0.7	±0.2	Ground paper 底部厚度： 0.5 ±0.1mm
Length of snipped lead 裁切引線長度	L	11.0	Max.	
Coating rundown on leads 引線漆長	e	1.5	Max.	