

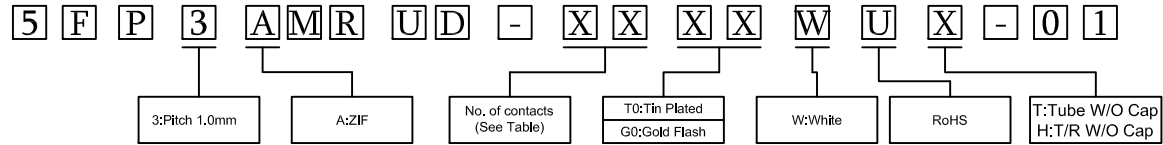
**SPECIFICATION**

Current Rate:0.5 AMP  
 Insulation Resistance:100M Ω Min.  
 Contact Resisitance:30m Ω Max.  
 Dielectric Voltage:250V AC/Minute  
 Operation Temperature:-25°C to +85°C

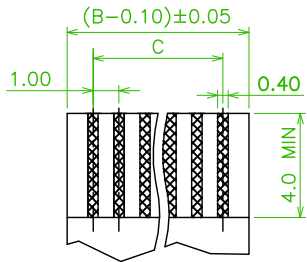
**MATERIAL**

Insulator:High Temperature Thermoplastic,UL 94V-0  
 Contact Pin:Copper Alloy

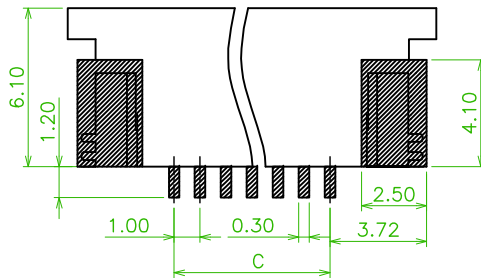
**ORDER INFORMATION**



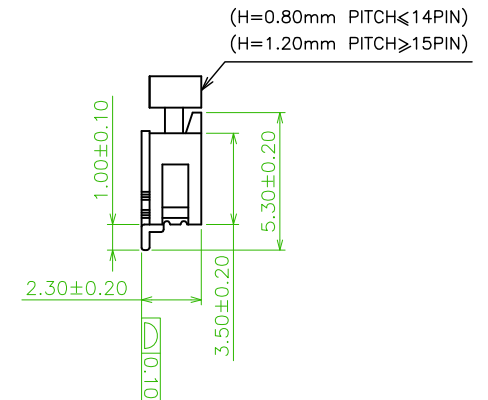
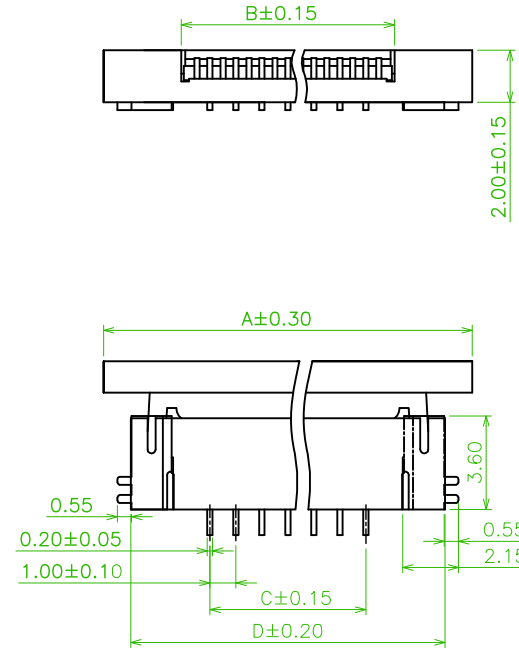
Circuits	Dimension				Circuits	Dimension			
	A	B	C	D		A	B	C	D
2	9.20	3.20	1.00	7.10	21	28.20	22.20	20.00	26.10
4	11.20	5.20	3.00	9.10	22	29.20	23.20	21.00	27.10
5	12.20	6.20	4.00	10.10	24	31.20	25.20	23.00	29.10
6	13.20	7.20	5.00	11.10	25	32.20	26.20	24.00	30.10
7	14.20	8.20	6.00	12.10	26	33.20	27.20	25.00	31.10
8	15.20	9.20	7.00	13.10	27	34.20	28.20	26.00	32.10
9	16.20	10.20	8.00	14.10	28	35.20	29.20	27.00	33.10
10	17.20	11.20	9.00	15.10	29	36.20	30.20	28.00	34.10
11	18.20	12.20	10.00	16.10	30	37.20	31.20	29.00	35.10
12	19.20	13.20	11.00	17.10					
13	20.20	14.20	12.00	18.10					
14	21.20	15.20	13.00	19.10					
15	22.20	16.20	14.00	20.10					
16	23.20	17.20	15.00	21.10					
17	24.20	18.20	16.00	22.10					
18	25.20	19.20	17.00	23.10					
19	26.20	20.20	18.00	24.10					
20	27.20	21.20	19.00	25.10					



FPC/FFC T=0.30±0.05



RECOMMENDED PCB LAYOUT



Old Part No. : FPC3AMR6-XX-U-U

△	Revise the drawing	B	2016/06/16
REV.	ECN NO. OR DESCRIPTION	REVISED	DATE

TEL: 886-2-2260-6878  
 FAX: 886-2-2260-8030

品名 TITLE	FPC/FFC 1.0mm Zif R/A SMT Type			頁數 Page	1/1
品號 PART NO.	5FP3AMRUD-XXXXWUX-01			繪圖 DRAWN	Roy 2015/09/23
圖號 DRAWING NO.		版本 REV.	B	核對 CHECKED	John 2015/09/23
客戶品號 CUSTOMER P/N		比例 SCALE	None	承認 APPROVED	John 2015/09/23
公差 TOLERANCE	.X ± 0.20 .XX ± 0.10	單位 UNIT	mm	THIRD ANGLE PROJECTION	