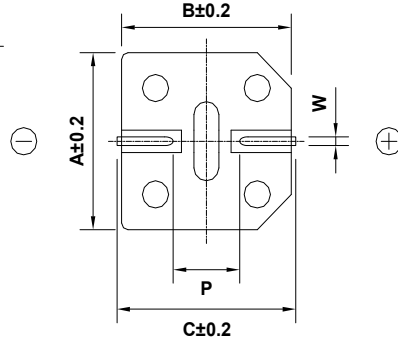
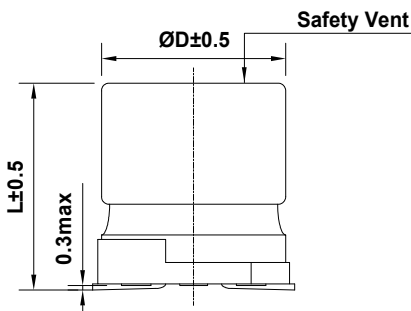
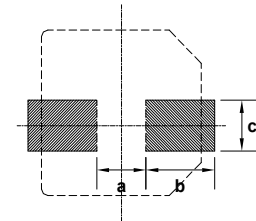


ALUMINUM ELECTROLYTIC CAPACITORS		APPROVAL NO.
		6506
BXJ 25 VC 470 (M)	SERIES	BXJ
	RATING	25 V 470 μ F
	CASE SIZE	\varnothing 10 × 10 L

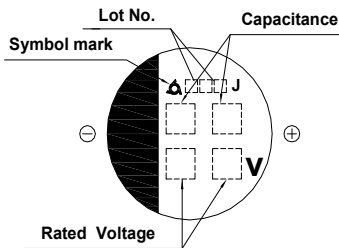
A. DIAGRAM OF DIMENSIONS



Recommended Solder land on PC board



█ : Solder land on PC board



Case code	ØD	L	A	B	C	W	P	a	b	c
J10	10	10	10.3	10.3	11.0	0.7-1.1	4.5	4.5	4.4	2.2

B. ELECTRICAL CHARACTERISTICS

- A. OPERATING TEMPERATURE RANGE : -55 ~ +105 °C
- B. RATED VOLTAGE : 25 V_{DC}
- C. SURGE VOLTAGE : 32 V_{DC}
- D. CAPACITANCE TOLERANCE : ± 20% at 20 °C, 120Hz
- E. LEAKAGE CURRENT : Lower 117.5 μ A, after 2 minutes at 20 °C
- F. DISSIPATION FACTOR (TAN δ) : Lower 0.14 at 20 °C, 120Hz
- G. MAX. RIPPLE CURRENT : 850 mA_{rms} at 105 °C, 100kHz
- H. TEMPERATURE CHARACTERISTIC :
 (Max. Impedance ratio) $Z(-25\text{ }^\circ\text{C}) / Z(20\text{ }^\circ\text{C}) = \underline{2}$
 $Z(-55\text{ }^\circ\text{C}) / Z(20\text{ }^\circ\text{C}) = \underline{3}$ (at 120Hz)
- I. LOAD LIFE : The following specifications shall be satisfied when the capacitors are restored to 20 °C after the rated voltage is applied for 5,000 hours at 105 °C.
 - # Capacitance change \leq ±35 % of the initial value
 - # Tan δ \leq 300 % of the initial specified value
 - # Leakage Current \leq The initial specified value
- J. SHELF LIFE : The following specifications shall be satisfied when the capacitors are restored to 20 °C after exposing them for 1,000 hours at 105 °C without voltage applied. The rated voltage shall be applied to the capacitors for a minimum of 30 minutes, at least 24 hours and not more than 48 hours before the measurement.
 - # Capacitance change \leq ±35 % of the initial value
 - # Tan δ \leq 300 % of the initial specified value
 - # Leakage Current \leq The initial specified value
- K. CLEANING CONDITIONS : Solvent - proof
- L. OTHERS : Satisfied characteristics KS C IEC 60384-4

※ IMP.(20 °C, 100kHz) : 0.08 (Ω) ↓

