

## Stereo Jack Series

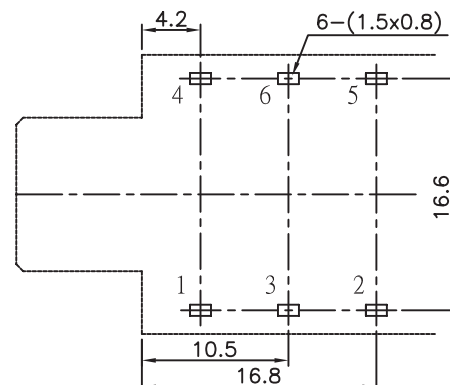
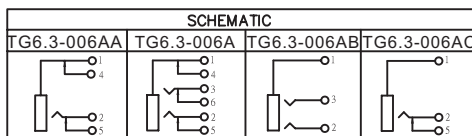
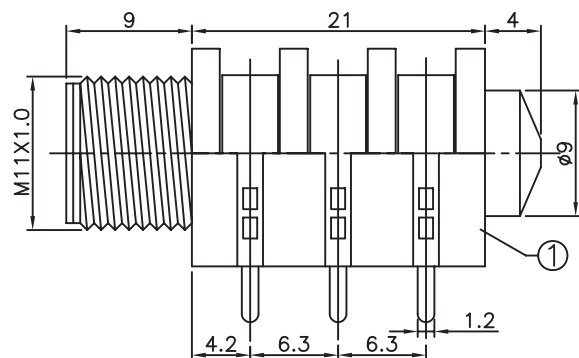
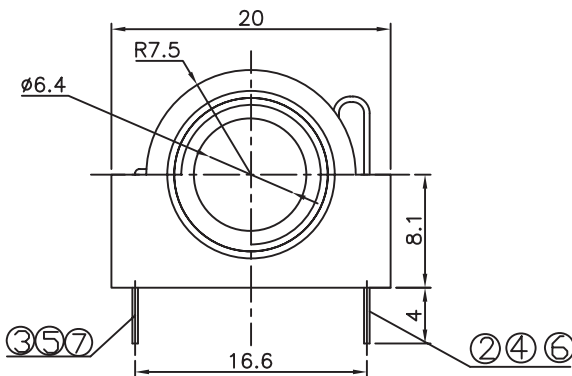
KLS1-TG6.3-006A (Stereo Jack Series)

### Technical parameters:

Rated voltage: DC 30 V  
 Rated current: 0.5 A  
 Contact resistance: 0.03Ω, max  
 Insulation resistance: 100MΩ, min  
 Pressure: AC500V (50Hz) / 1minute  
 Insertion Force :2-20 N  
 Life: 50000 times  
 Operating Temperature:-30°C ~ 70°C

### Material:

Housing : PC  
 Contact foot : Brass  
 Spring : Phosrhor Bronze



T:1.6 Dimensions of PC board holes  
 Tolerance : ±0.1(Printed-top view)

## ORDER INFORMATION

Product NO.: KLS1-TG6.3-006AA

