

Stereo Jack Series

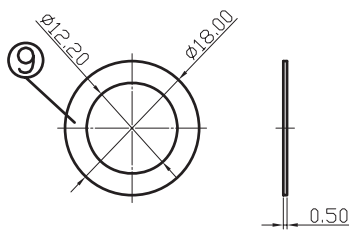
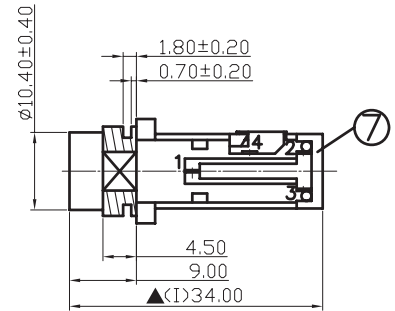
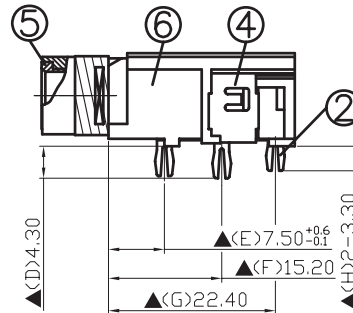
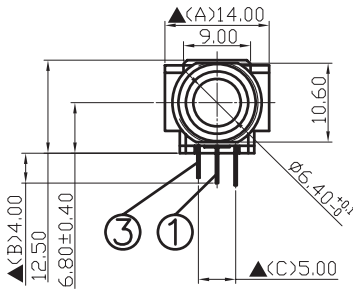
KLS1-TG6.3-008A (Stereo Jack Series)

Technical parameters:

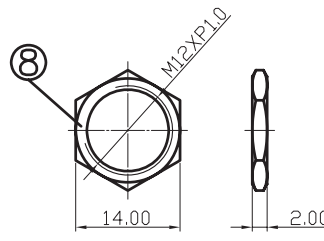
Technical parameters:
 Contact resistance: 0.03Ω, max
 Insulation resistance: 100MΩ, min
 Rated Load: DC 50V 1A
 Withstand voltage: 500V AC / 1 minute/50Hz
 Insertion Force :5-40 N
 Life: 5000 times
 Operating Temperature:-30°C ~ 70°C

Material:

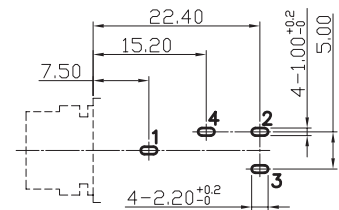
Housing: PC
 Contacts: copper



WASHER



NUT



Pin Hole Layout
(Jack Bottom View)

TG6.3-008A	TG6.3-008AA	TG6.3-008AB	TG6.3-008AC

ORDER INFORMATION

Product NO.: KLS1-TG6.3-008AA

