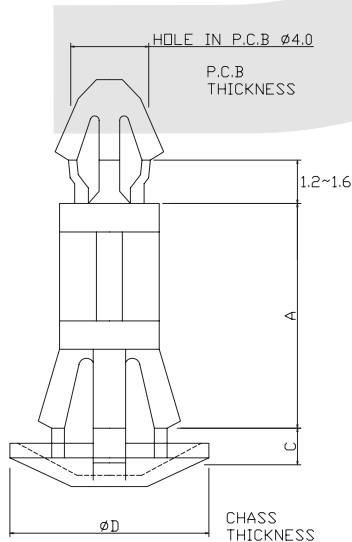


PCB Support Series

KLS8-0209 PCB Support Series

Material: UL approved Nylon 66, 94V-2
TO Fit 5.5mm hole

Unit:mm



Model No.	A	C	D	Package
BSD-03	3.5	1.0~1.8	10	1000 PCS
BSD-05	5	1.0~1.8	10	1000 PCS
BSD-06	6	1.0~1.8	10	1000 PCS
BSD-07	7	1.0~1.8	10	1000 PCS
BSD-08	8	1.0~1.8	10	1000 PCS
BSD-10	10	1.0~1.8	10	1000 PCS
BSD-12	12	1.0~1.8	10	1000 PCS
BSD-14	14	1.0~1.8	10	1000 PCS
BSD-16	16	1.0~1.8	10	1000 PCS
BSD-18	18	1.0~1.8	10	1000 PCS

ORDER INFORMATION

KLS8-0209 - BSD-03

