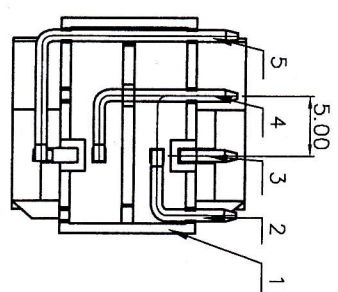
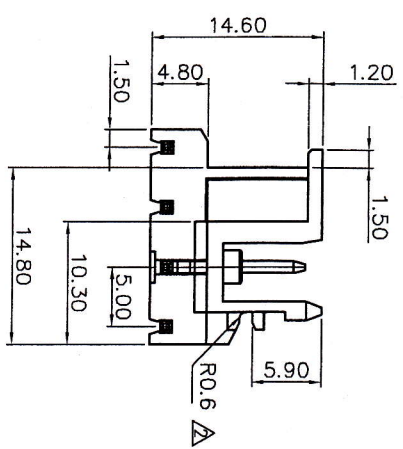
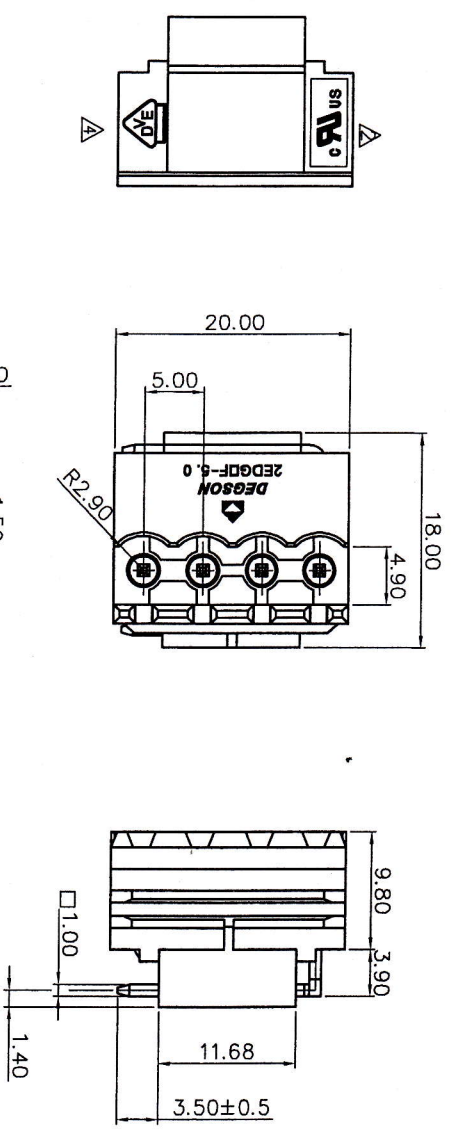


REVISION RECORD			
REV	ECN	DESCRIPTION	DRFT DATE
△		品名、料号增加环保标示“(H)”	LJH 12/11/07*
△	10-0177	增加UML刻字	Jordan.Y 06/10/10*
△	11-0055	改善下压断裂, 直角改为圆角	Golden 03/22/11*
△	14-0102	增加UML刻字, 修改料号	XLM 05/20/14*



- NOTES:
- 1.DIMENSION SHALL BE INTERPRETED PER ASME Y14.5-2009.
 - 2.PITCH: 5.0MM ,POLES: 04P
 - 3.RATED VOLTAGE/CURRENT: UL 300V/15A VDE 320V/20A
 - 4.OPERATION TEMPERATURES: -40℃~+105℃
 - 5.RATED IMPULSE VOLTAGE: 4.0KV
 - 6.INSULATION RESISTANCE: 5000M Ω/DC1000V
 - 7.UNDIMENSIONED TOLERANCES:

ITEM	PITCH RANGE		NOMINAL DIMENSION RANGE		TOLERANCE
	IN MM	OVER	IN MM	OVER	
6	TO	OVER	TO	OVER	∩
10	TO	OVER	TO	OVER	
24	TO	OVER	30	OVER	□
30	TO	OVER	60	OVER	
100	TO	OVER	100	OVER	◇
150	TO	OVER	150	OVER	



ITEM	NAME OF PART	NO. OF PART	Q*TY MATERIAL	NOTES
1	ZEDGRF-5.0-04P-Housing	1	PA66	UL94V-0
2	ZEDGRF-5.0 pin2	1	Copper	TIN PLATED
3	ZEDGRF-5.0 pin1	1	Copper	TIN PLATED
4	ZEDGRF-5.0 pin3	1	Copper	TIN PLATED
5	ZEDGRF-5.0 pin4	1	Copper	TIN PLATED

DETACHED LISTS	
TOLERANCES EXCEPT AS NOTED	FINISH:
ANGLES ± 1°	PART NO.:
THIRD ANGLE PROJECTION	NAME:

APPR: <i>Lea</i>	TITLE: ASSEMBLY DRAWING	REV: T4
CHKD: <i>Arora</i>	DRAWING NO.: ZEDGRF-5.0-E04	SHEET 1/1
DRFT: Yongys	DO NOT SCALE DRAWING	SCALE N/A

DEGSON 宁波高正电子有限公司
DEGSON ELECTRONICS CO., LTD

2EDGRF-5.0-04P-1Y-00A(H)

A B C D E F G H

8 7 6 5 4 3 2 1