



SPECIFICATIONS SHEET FOR APPROVAL

EXTERNAL DRIVE PIEZO TRANSDUCER

P/N: PT2770AHP-06

DESCRIPTION: L26.5mm, D22mm, H7mm, 2000Hz, 70dB at 10cm

VERSION: 01

DATE: 28-Mar-13

REVISIONS

VERSION	DESCRIPTION	DATE
01	Released from engineering	28-Mar-13

APPROVED BY :

CUSTOMER NAME :

DATE :

SPECIFICATIONS SHEET

EXTERNAL DRIVE PIEZO TRANSDUCER

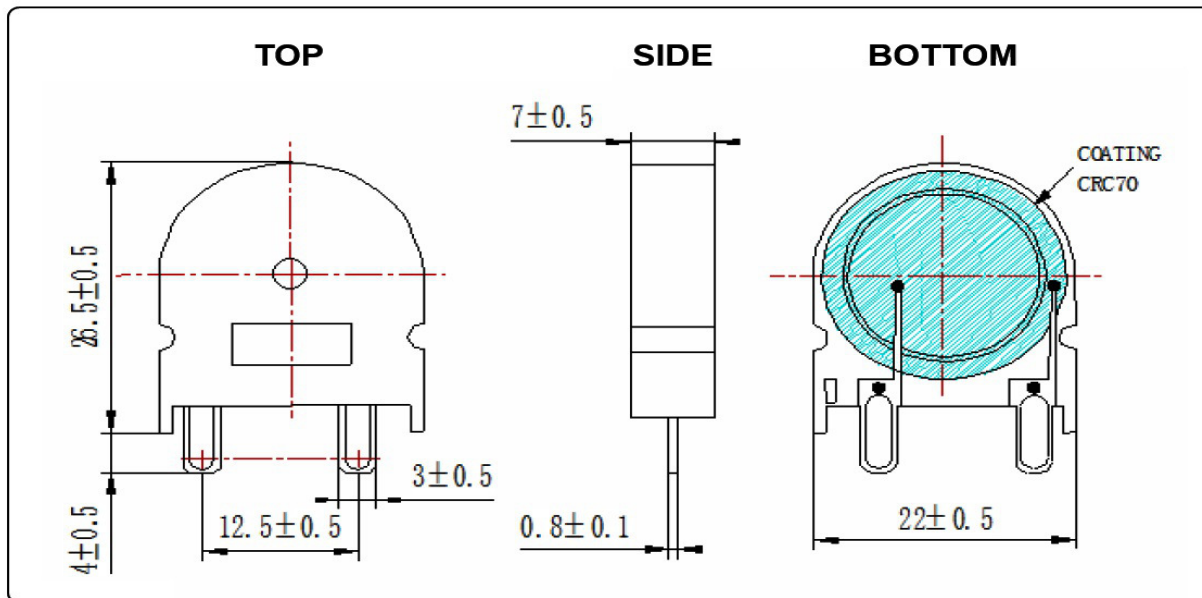
P/N: PT2770AHP-06

1. SPECIFICATIONS

PARAMETERS	VALUES	UNITS
*MIN SOUND PRESSURE LEVEL AT 10 CM	70	dB
RATED VOLTAGE	3	Vp-p
MAX OPERATING VOLTAGE	30	Vp-p
RESONANCE FREQUENCY	2,000	Hz
CAPACITANCE AT 120Hz/1V	20,000 ± 30%	pF
OPERATING TEMPERATURE	-20 to +70	°C
STORAGE TEMPERATURE	-30 to +70	°C
HOUSING	PBT	-
WEIGHT	3	g

*Value applying rated voltage

2. DIMENSIONS (unit in mm)



Tolerance: ± 0.5 mm except specified

VERSION: 01

DATE: 28-Mar-13

All specifications subject to change without notice