



Product Name

SMT Push Button
Screwless
Terminal

Model

B07

订购方式:

型号

极数

颜色

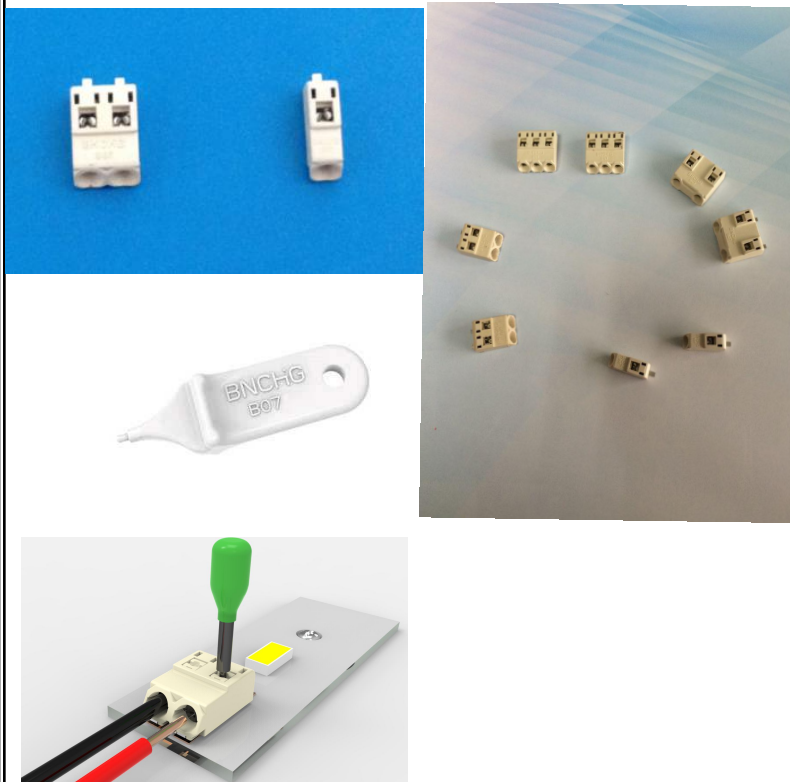
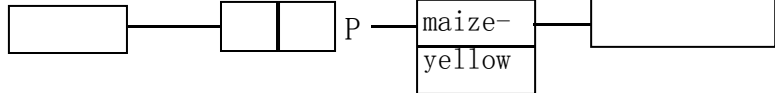
客户其它需求

Serie No.

No. of pole

Color

Customer Request



Product Parameter:

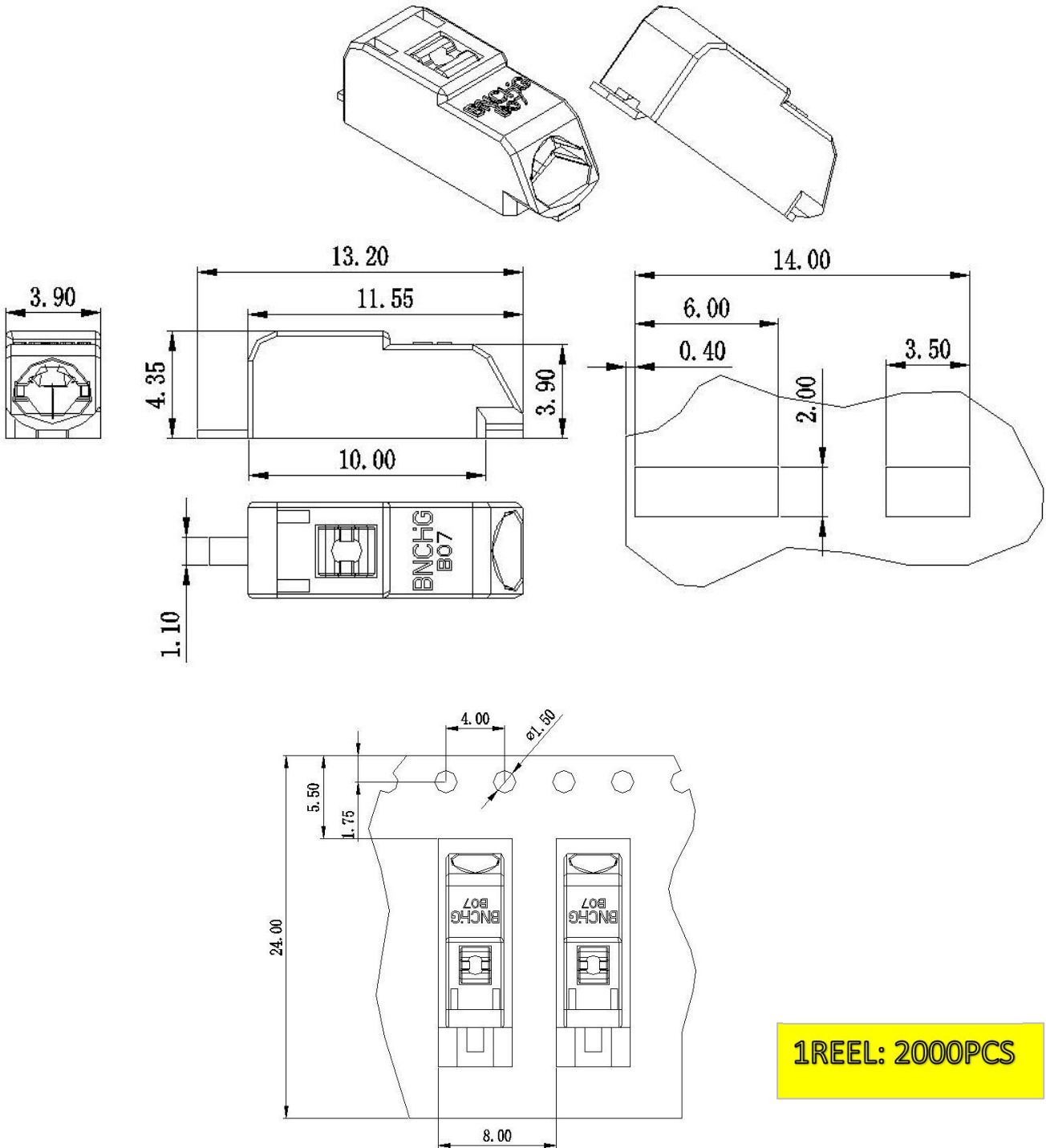
Appearance		
pitch	4mm	
pin number	1-3 Pin	
color	maize-yellow	
strip length	7-8mm	
connecting wire	1-3	
Material		
shell	LCP	
Clamping fittings	Phosphor bronze, tin-plated	
Contact	Phosphor bronze, tin-plated	
Electrical		
	IEC	UL1977
voltage	420V (1P/8.0mm)	600V (1P/8.0mm)
	250V (2P/3P)	250V (2P/3P)
current	9A	
Rated connection area (mm ²)	0.2~0.75(single strand)	
Rated connection area (mm ²)	AWG 24-18	
Mechanical		
the angle of PCB and entrance hole	0°	
connection	cage clamp connection	
temperature	-40℃~+105℃	
packing	in reel	

the technical

It is new B07 SMT connector, which is our patented connector, also can replace of WAGO 2060 connector

1. independent button, it won't be broken easily when pressing repeatedly;
2. Its shape won't deformate when going through the high temperature smt wave-soldering.; it's suitable for Lead-free reflow soldering process according to DIN EN 61760-1 and IEC 60068-2-58; the highest affordable temperature is 270℃
3. it will not fall off because of the clip contact match with the plastic parts tightly.

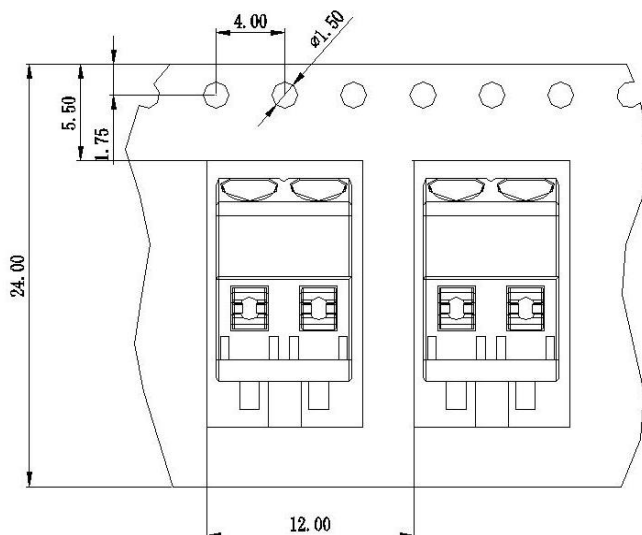
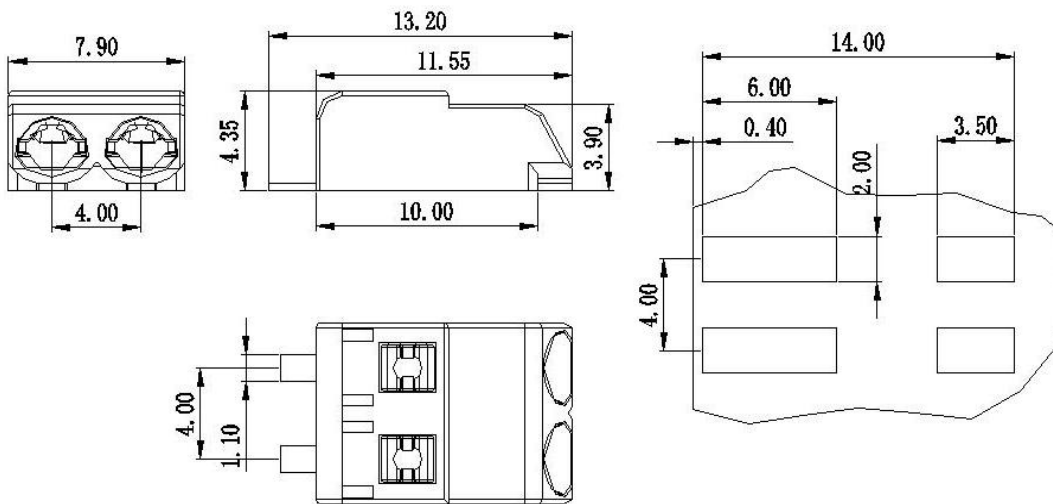
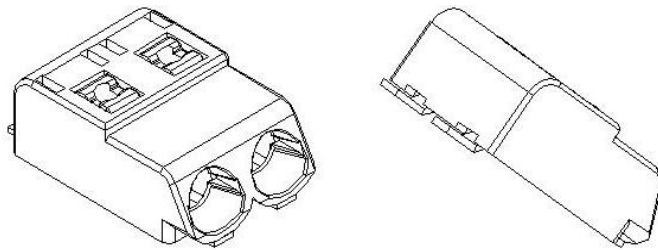
SMT Push Button Screwless Terminal B07-1P



1REEL: 2000PCS

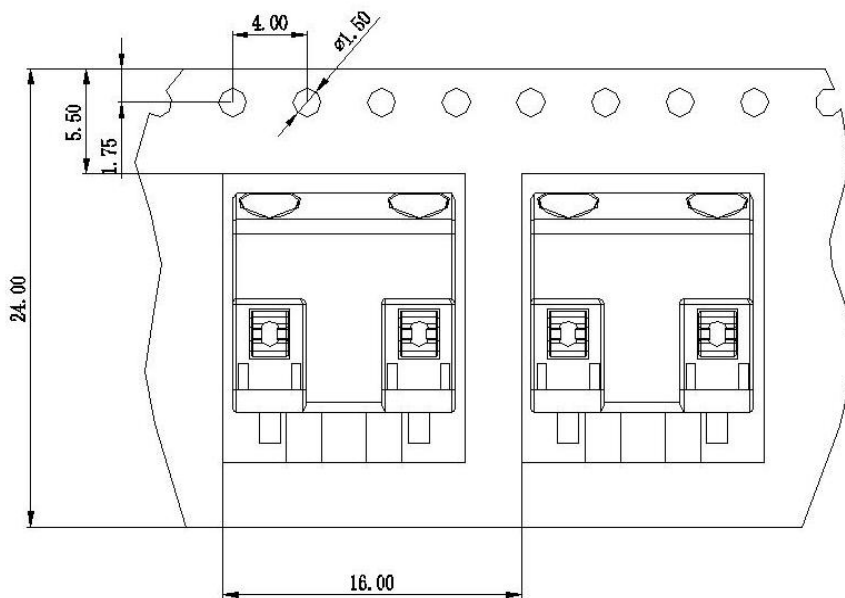
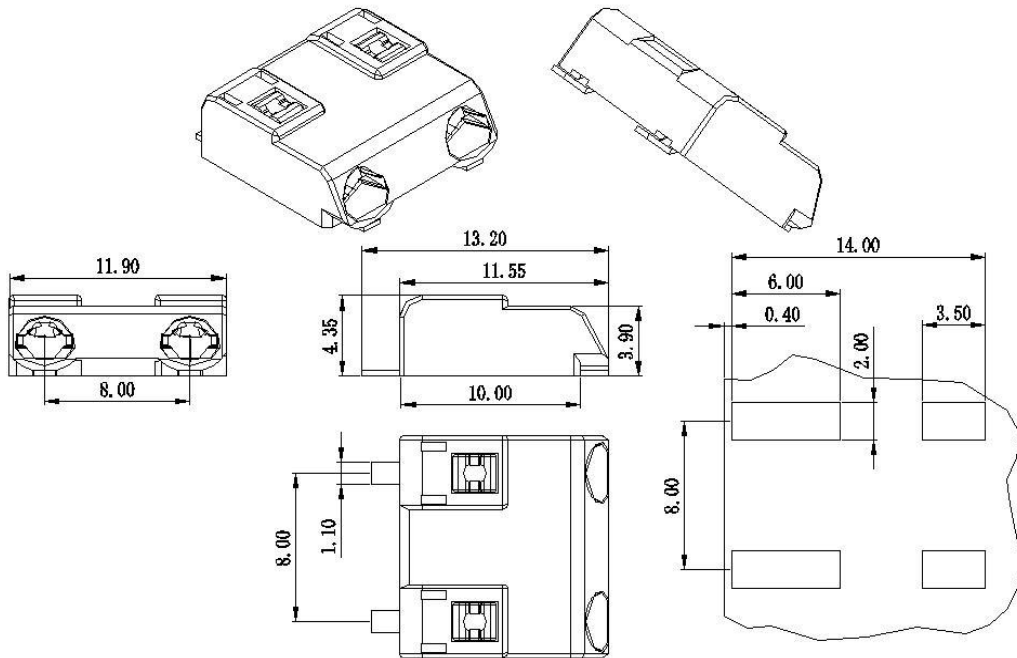


SMT Push Button Screwless Terminal B07-2P



1 REEL: 1000PCS

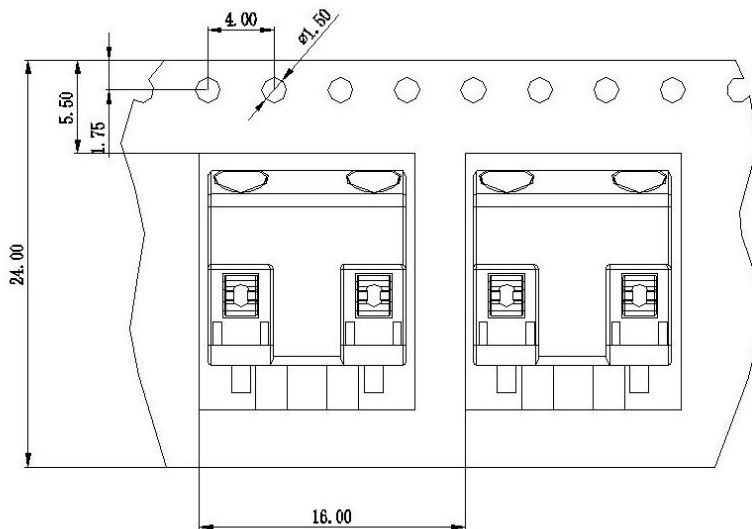
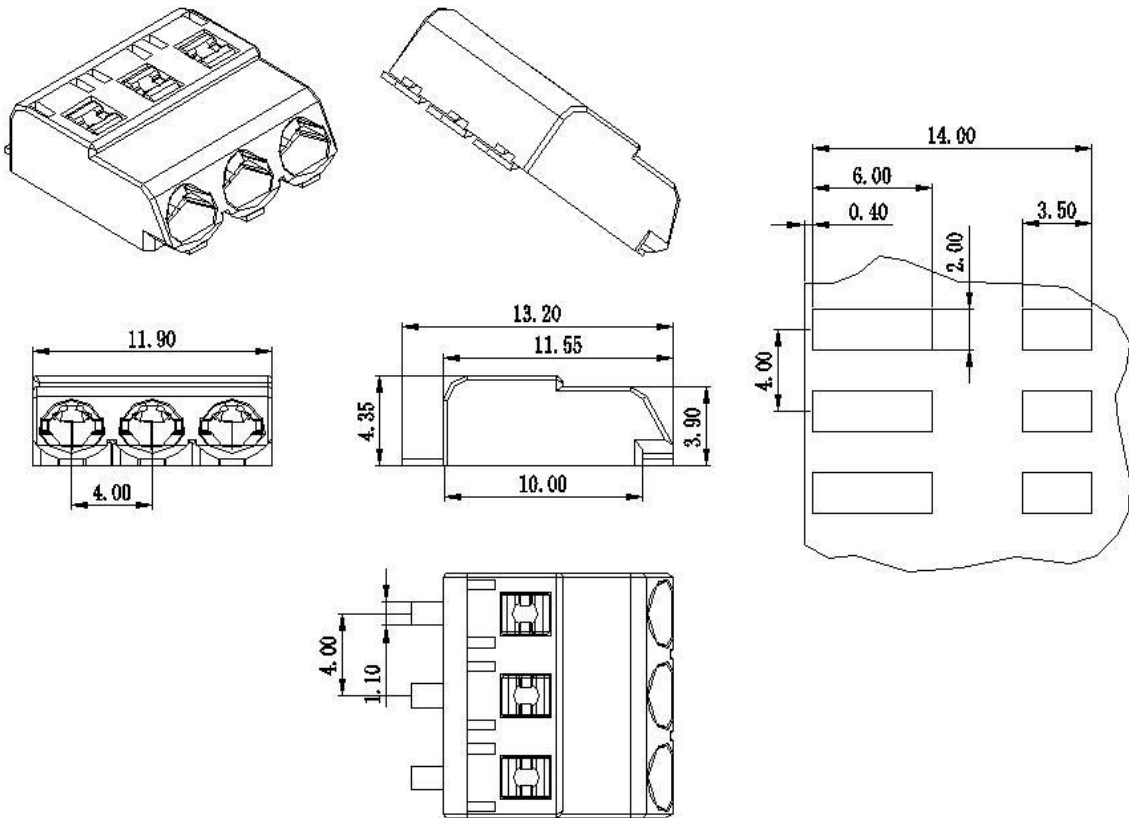
SMT Push Button Screwless Terminal B07-8.0



1REEL: 800PCS



SMT Push Button Screwless Terminal B07-3P



1REEL: 800PCS



connect jumper B07-A/2A/3A

