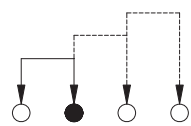
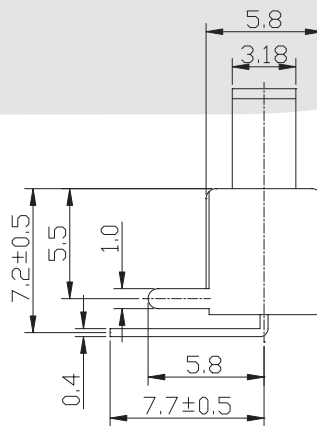
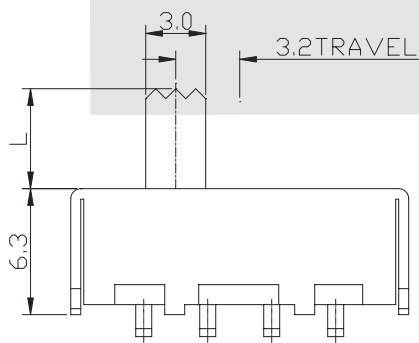
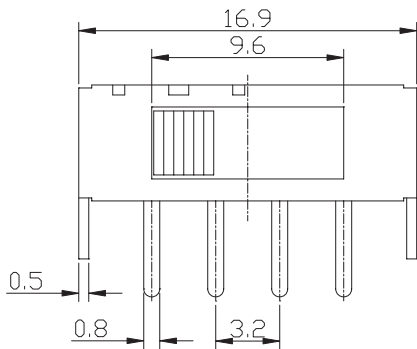


## Slide Switch Series

KLS7-SS10-13F24 (1P3T) Slide Switch Series

### SPECIFICATIONS

- Rating: 0.5A 50VDC
- Contact Resistance: 50MΩ max
- Insulation Resistance: 500VDC 100MΩ Min
- Dielectric Strength: 100V AC 1 Minute
- Operating Force: 100gf~800gf
- Electrical Life : 10,000 cycles



**SCHEMATIC**

## ORDER INFORMATION

**KLS7-SS10 - 1 3 F 24 - X X - X**

- Part Number
- Slide Switch Type
- Pole
- Throw
- Operating Force
- Knobe Height

Travelling					
C	D	E	F	G	H
1.5	2.0	2.5	3.0	3.5	4.0
I	J	K	L	N	P
4.5	5.0	5.5	6.0	7.0	8.0

Sequential No.

