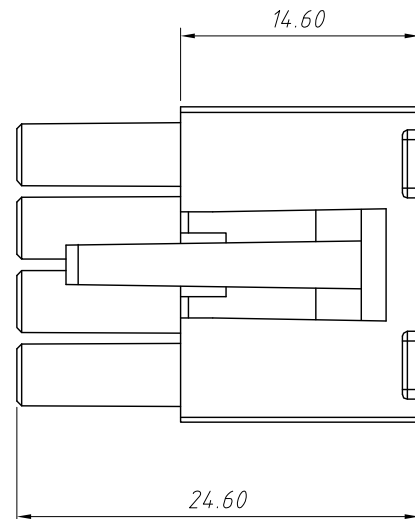
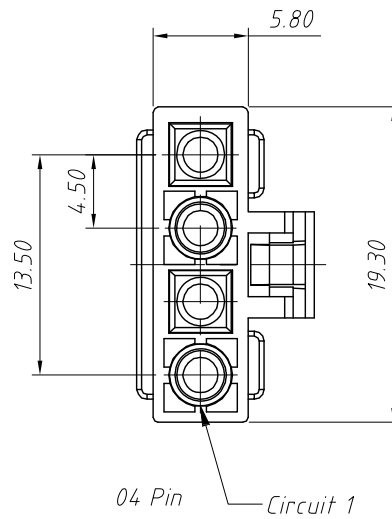
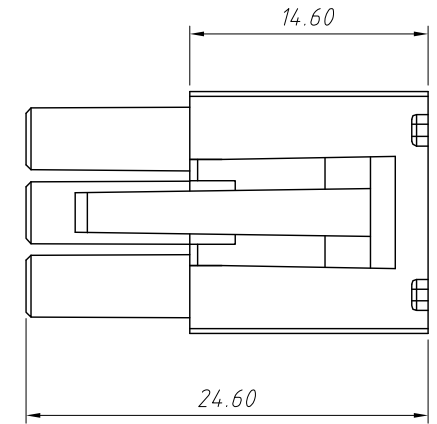
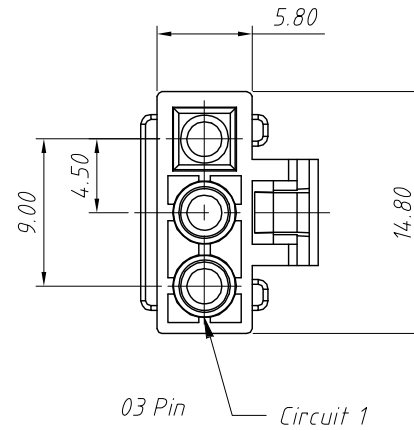
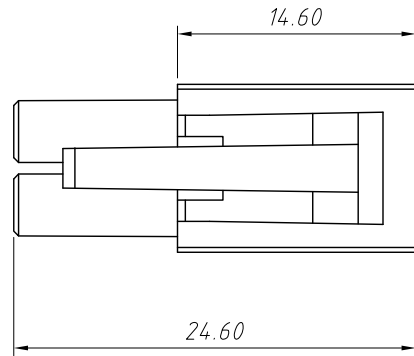
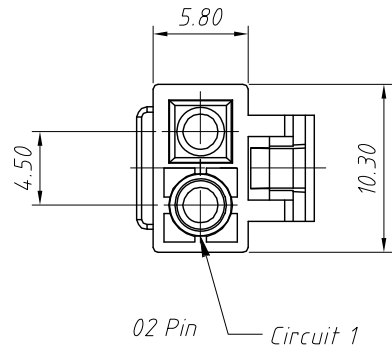


1  
RoHS Compliance



Material:  
Housing: PA66, UL 94 V-0

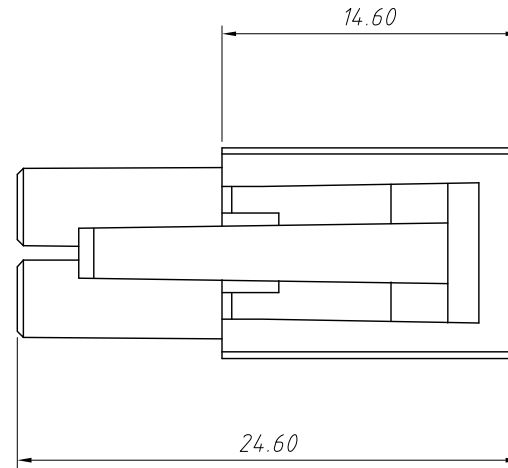
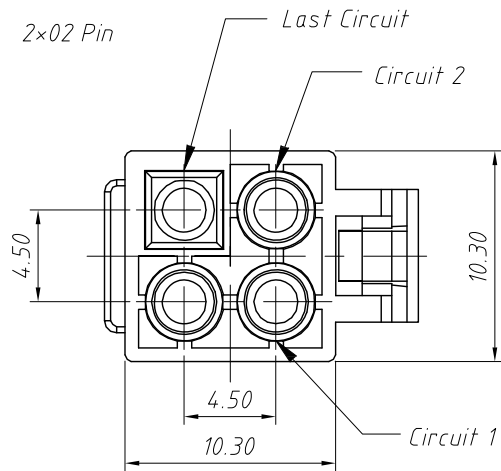
Electrical Characteristics:  
Rated Current: 10.0AMP  
Voltage rating: 300V AC, DC  
Temperature range: -25°C ~ +85°C  
Insulator Resistance: 1000MΩ Min  
Withstanding Voltage: 1500V AC/minute  
Contact Resistance: 7mΩ Max

Order Information:  
L-KLS1-XM1-4.50-1×XX-MH

- L: RoHS
- Pitch: 4.50mm
- Row: 1-Single layer
- 2-Double layer
- 3-Three layer
- XX-No. of 02~04 pins
- Type:
  - FH-Female Hosing
  - MH-Male Hosing
  - FT-Female Terminal
  - MT-Male Terminal

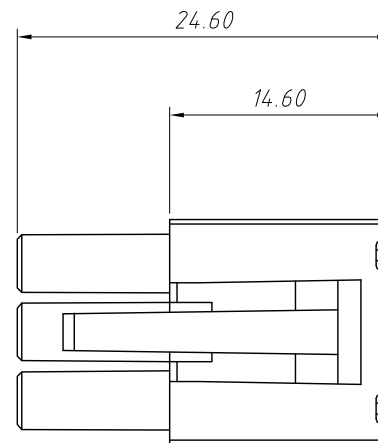
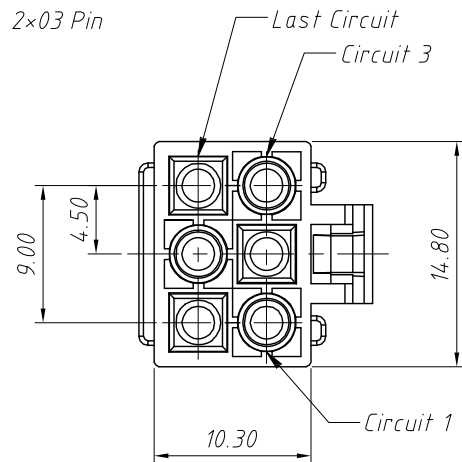
ANGLE TOLERANCE	PROJECTION	Description:		
±3°		4.50mm Pitch JST EL 4501 4502 Wire To Wire Connector		
GENERAL TOLERANCE	UNITS	mm	KLS P/N:	L-KLS1-XM1-4.50-1×XX-MH
x.x ±0.30	SHEET SIZE	A4		
x.xx ±0.20	Draw:	Daniel	2021-01-11	NingBo KLS ELECTRONIC CO.,L TD.
x.xxx ±0.10	Check:	Daniel	2021-01-11	

1  
RoHS Compliance



Material:  
Housing:PA66,UL94V-0

Electrical Characteristics:  
Rated Current:10.0AMP  
Voltage rating:300V AC,DC  
Temperature range:-25°C ~ + 85°C  
Insulator Resistance:1000M $\Omega$  Min  
Withstanding Voltage:1500V AC/minute  
Contact Resistance:7m $\Omega$  Max



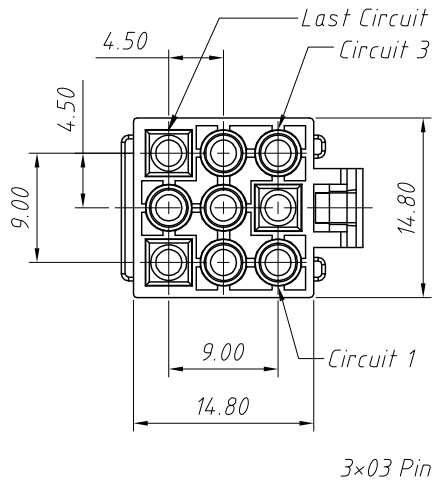
Order Information:

L-KLS1-XM1-4.50-2 $\times$ XX-MH

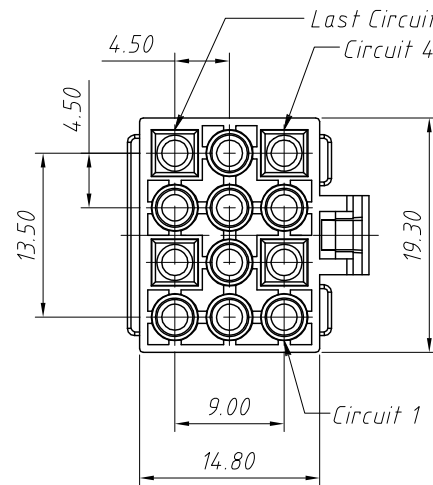
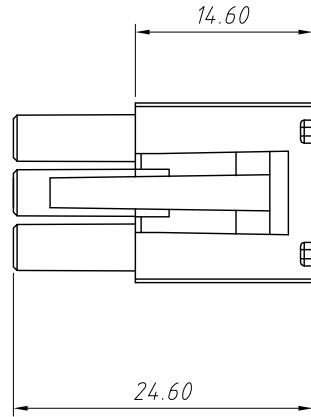
L: RoHS  
Pitch:4.50mm  
Row:1-Single layer  
2-Double layer  
3-Three layer  
XX-No. of 02~03pins  
Type:  
FH-Female Hosing MH-Male Hosing  
FT-Female Terminal MT-Male Terminal

ANGLE TOLERANCE	PROJECTION	Description:		
$\pm 3^\circ$		4.50mm Pitch JST EL 4501 4502 Wire To Wire Connector		
GENERAL TOLERANCE	UNITS	mm	KLS P/N:	L-KLS1-XM1-4.50-2 $\times$ XX-MH
x.x $\pm 0.30$	SHEET SIZE	A4		NingBo KLS ELECTRONIC CO.,L TD.
x.xx $\pm 0.20$	Draw:	Daniel	2021-01-11	
x.xxx $\pm 0.10$	Check:	Daniel	2021-01-11	

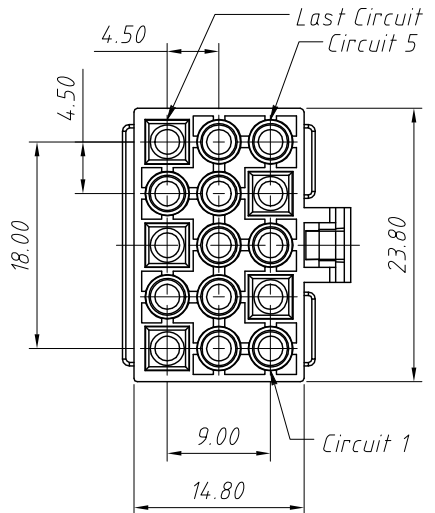
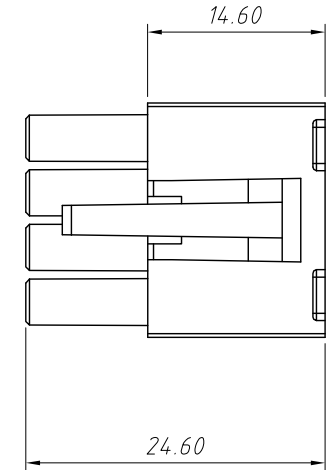
1 RoHS Compliance



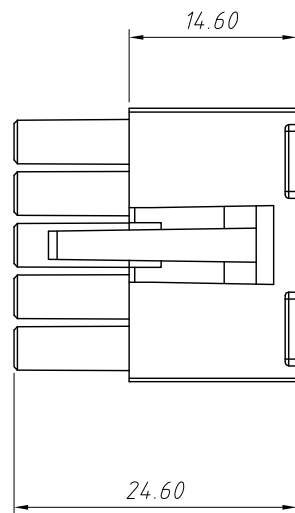
3x03 Pin



3x04 Pin



3x05 Pin



**Material:**

Housing: PA66, UL 94V-0

**Electrical Characteristics:**

Rated Current: 10.0AMP

Voltage rating: 300V AC, DC

Temperature range: -25°C ~ +85°C

Insulator Resistance: 1000MΩ Min

Withstanding Voltage: 1500V AC/minute

Contact Resistance: 7mΩ Max

**Order Information:**

L-KLS1-XM1-4.50-3×XX-MH

L: RoHS

Pitch: 4.50mm

Row: 1-Single layer

2-Double layer

3-Three layer

XX-No. of 03~05 pins

Type:

FH-Female Hosing

MH-Male Hosing

FT-Female Terminal

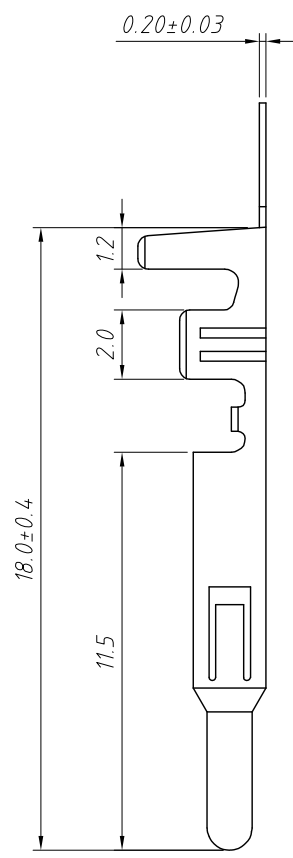
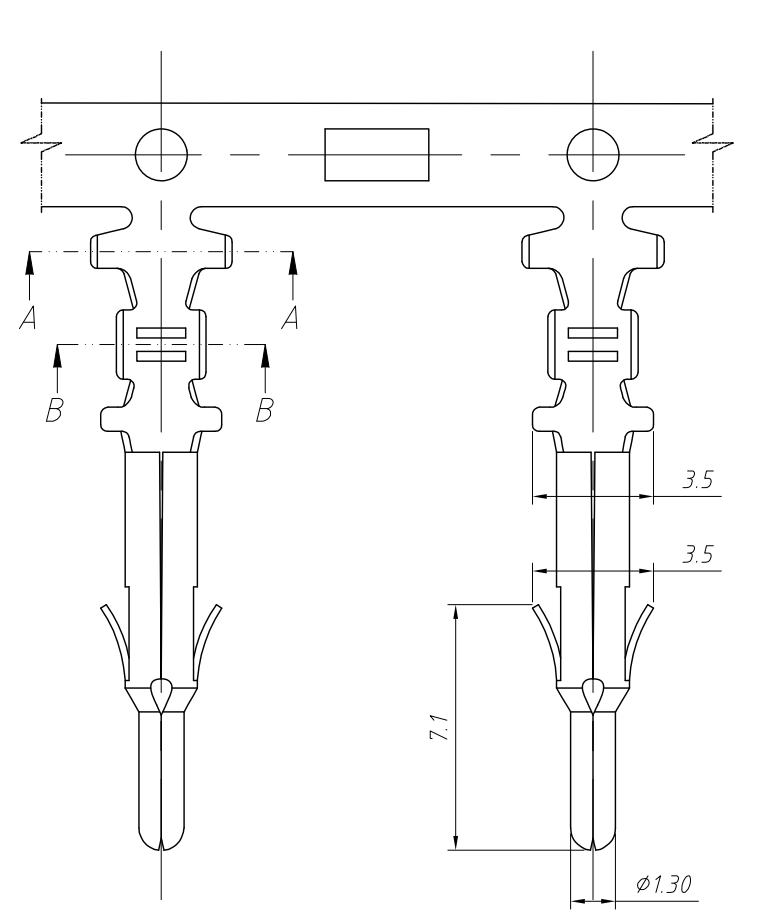
MT-Male Terminal

ANGLE TOLERANCE	PROJECTION	Description:
±3°		4.50mm Pitch JST EL 4501 4502 Wire To Wire Connector
GENERAL TOLERANCE	UNITS	mm
x.x ±0.30	SHEET SIZE	A4
x.xx ±0.20	Draw:	Daniel 2021-01-11
x.xxx ±0.10	Check:	Daniel 2021-01-11



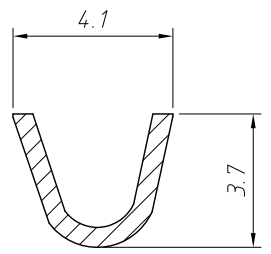
NingBo KLS ELECTRONIC CO.,LTD.

1  
RoHS Compliance

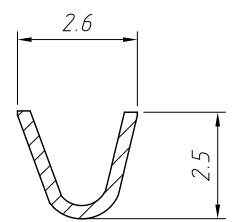


**Material:**  
 Terminal: Phosphor Bronze  
 Plating: Tin plated or Nickel  
 Applicable wires: AWG #20 ~ # 26  
 Insulation O.D.: 2.7mm  
 Qty/reel: 4000 pcs

**Electrical Characteristics:**  
 Rated Current: 10.0AMP  
 Voltage rating: 300V AC, DC  
 Temperature range: -25°C ~ + 85°C  
 Insulator Resistance: 1000MΩ Min  
 Withstanding Voltage: 1500V AC/minute  
 Contact Resistance: 20mΩ Max



A-A



B-B

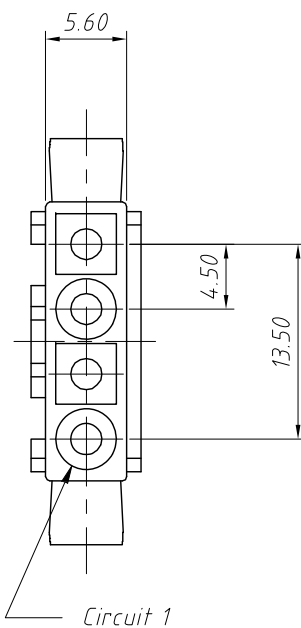
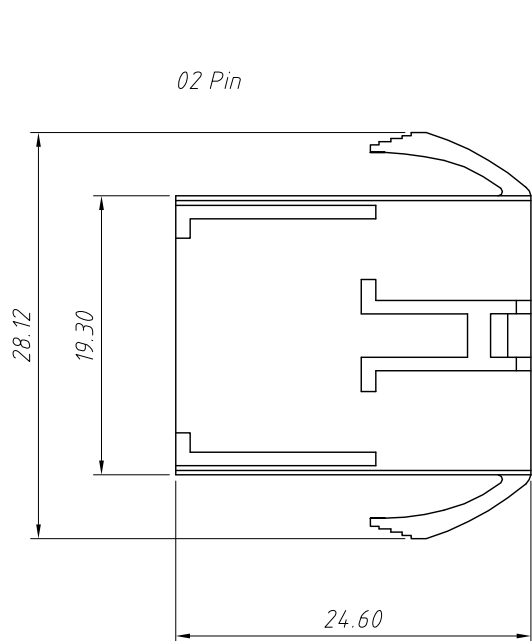
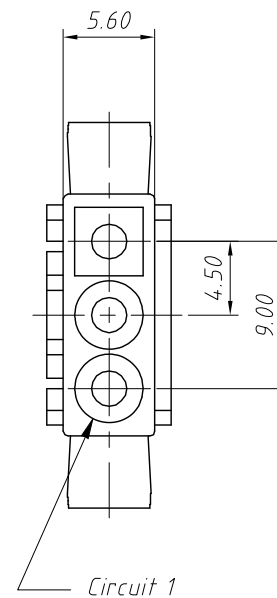
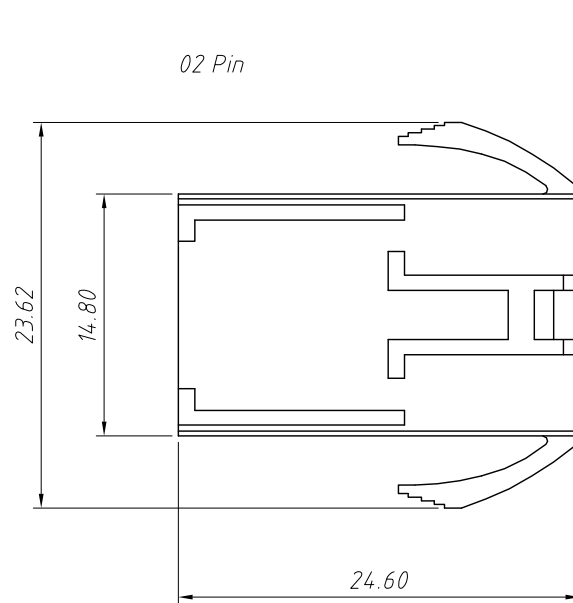
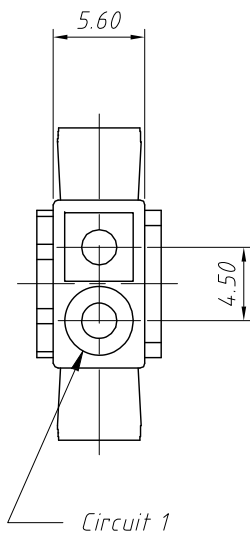
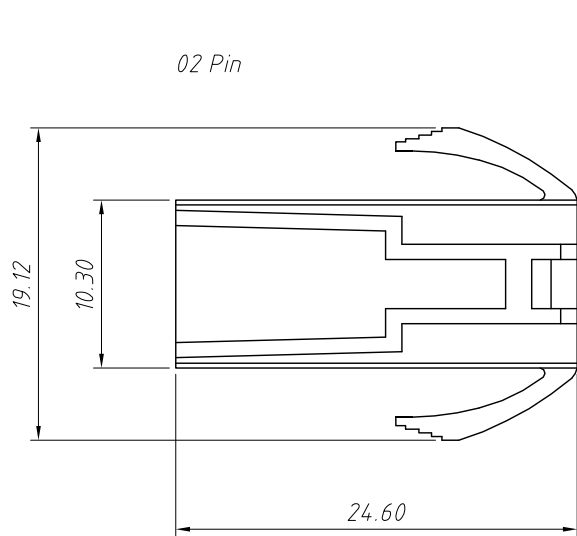
**Order Information:**  
 L-KLS1-XM1-4.50-MT

L: RoHS  
 Pitch: 4.50mm  
 Type: \_\_\_\_\_

FH-Female Hosing    MH-Male Hosing  
 FT-Female Terminal    MT-Male Terminal

ANGLE TOLERANCE	PROJECTION	Description:		
±3°		4.50mm Pitch JST EL 4501 4502 Wire To Wire Connector		
GENERAL TOLERANCE	UNITS	mm	KLS P/N:	L-KLS1-XM1-4.50-MT
x.x ±0.30	SHEET SIZE	A4		NingBo KLS ELECTRONIC CO.,L TD.
x.xx ±0.20	Draw:	Daniel	2021-01-11	
x.xxx ±0.10	Check:	Daniel	2021-01-11	

RoHS Compliance



**Material:**  
Housing:PA66,UL 94V-0

**Electrical Characteristics:**  
Rated Current:10.0AMP  
Voltage rating:300V AC,DC  
Temperature range:-25°C ~ + 85°C  
Insulator Resistance:1000M $\Omega$  Min  
Withstanding Voltage:1500V AC/minute  
Contact Resistance:7m $\Omega$  Max

**Order Information:**

L-KLS1-XM1-4.50-1xXX-FH

L: RoHS  
Pitch:4.50mm  
Row:1-Single layer  
2-Double layer  
3-Three layer  
XX-No. of 02 ~ 04 pins  
Type:  
FH-Female Hosing    MH-Male Hosing  
FT-Female Terminal    MT-Male Terminal

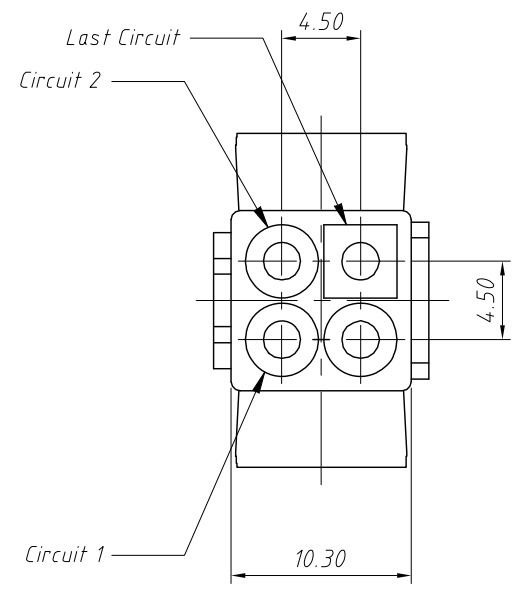
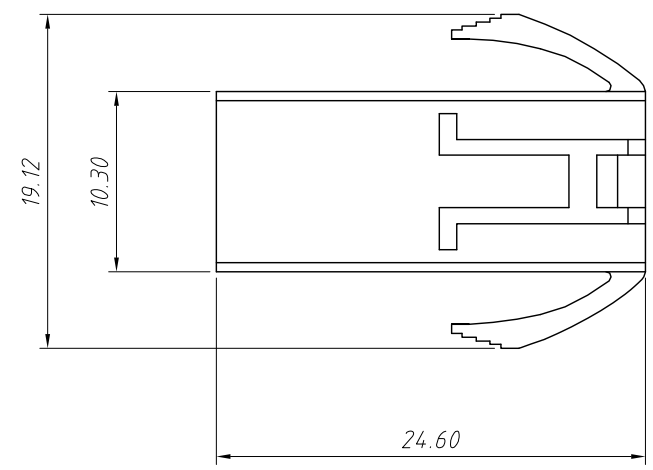
ANGLE TOLERANCE	PROJECTION	Description:
$\pm 3^\circ$		4.50mm Pitch JST EL 4501 4502 Wire To Wire Connector
GENERAL TOLERANCE	UNITS	mm
x.x $\pm 0.30$	SHEET SIZE	A4
x.xx $\pm 0.20$	Draw:	Daniel 2021-01-11
x.xxx $\pm 0.10$	Check:	Daniel 2021-01-11



NingBo KLS ELECTRONIC CO.,L TD.

1  
RoHS Compliance

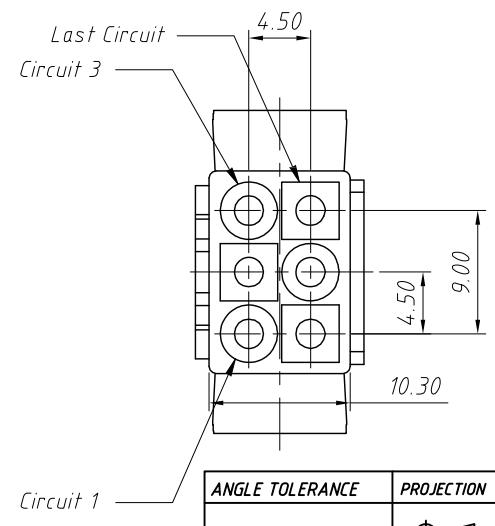
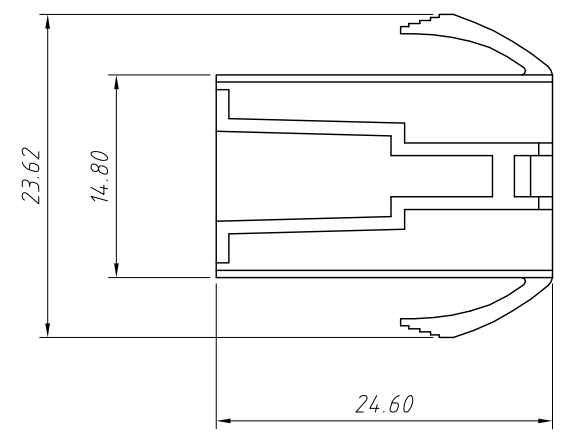
2  
2x02 Pin



Material:  
Housing:PA66,UL94V-0

Electrical Characteristics:  
Rated Current:10.0AMP  
Voltage rating:300V AC,DC  
Temperature range:-25°C ~ + 85°C  
Insulator Resistance:1000M $\Omega$  Min  
Withstanding Voltage:1500V AC/minute  
Contact Resistance:7m $\Omega$  Max

5  
2x03 Pin



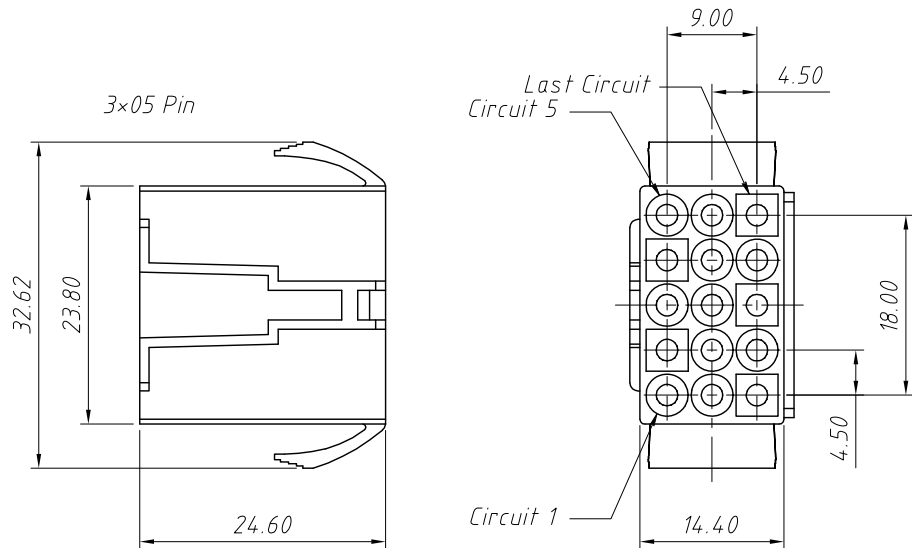
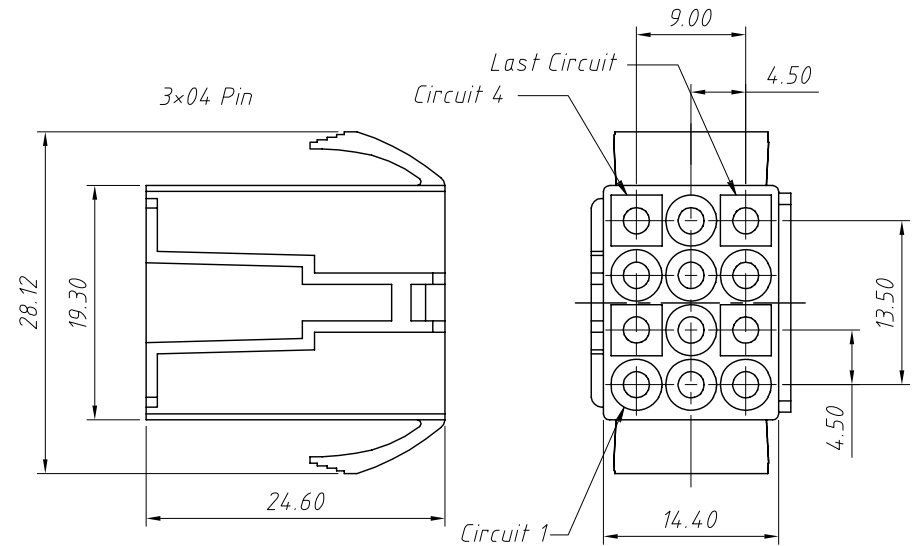
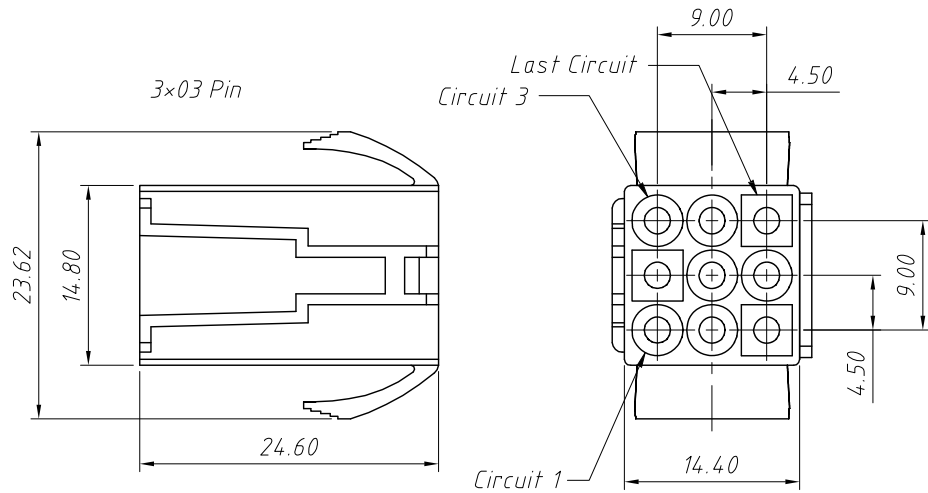
Order Information:  
L-KLS1-XM1-4.50-2×XX-FH

- L: RoHS
- Pitch:4.50mm
- Row:1-Single layer
- 2-Double layer
- 3-Three layer
- XX-No.of 02~03pins
- Type:
- FH-Female Hosing MH-Male Hosing
- FT-Female Terminal MT-Male Terminal

ANGLE TOLERANCE		PROJECTION		Description:	
$\pm 3^\circ$				4.50mm Pitch JST EL 4501 4502 Wire To Wire Connector	
GENERAL TOLERANCE		UNITS	mm	KLS P/N:	L-KLS1-XM1-4.50-2×XX-FH
x.x	$\pm 0.30$	SHEET SIZE	A4		
x.xx	$\pm 0.20$	Draw:	Daniel	2021-01-11	
x.xxx	$\pm 0.10$	Check:	Daniel	2021-01-11	

**KLS** NingBo KLS ELECTRONIC CO.,L TD.

RoHS Compliance



**Material:**  
Housing:PA66,UL94V-0

**Electrical Characteristics:**  
Rated Current:10.0AMP  
Voltage rating:300V AC,DC  
Temperature range:-25°C ~ +85°C  
Insulator Resistance:1000MΩ Min  
Withstanding Voltage:1500V AC/minute  
Contact Resistance:7mΩ Max

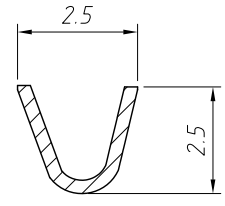
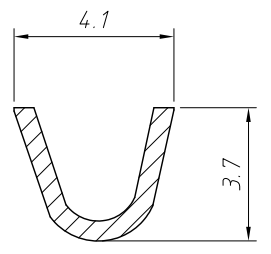
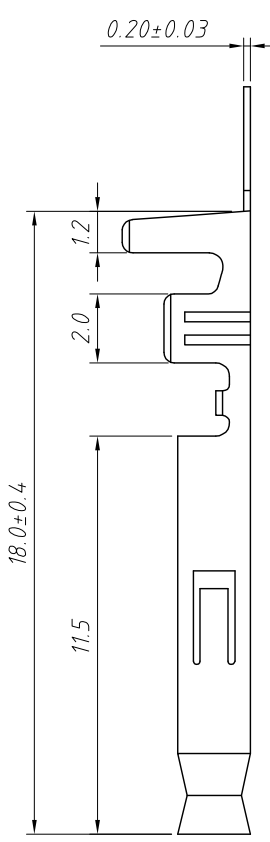
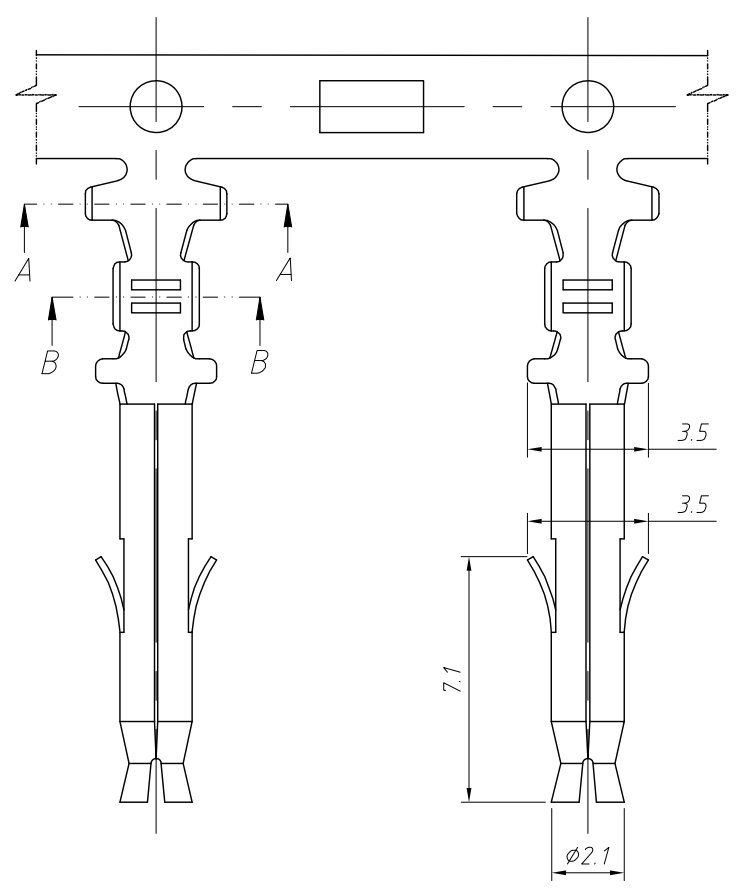
**Order Information:**

L-KLS1-XM1-4.50-3×XX-FH

L: RoHS  
Pitch:4.50mm  
Row:1-Single layer  
2-Double layer  
3-Three layer  
XX-No. of 03~05pins  
Type:  
FH-Female Hosing MH-Male Hosing  
FT-Female Terminal MT-Male Terminal

ANGLE TOLERANCE	PROJECTION	Description:		
±3°		4.50mm Pitch JST EL 4501 4502 Wire To Wire Connector		
GENERAL TOLERANCE	UNITS	mm	KLS P/N:	L-KLS1-XM1-4.50-3×XX-FH
x.x ±0.30	SHEET SIZE	A4		NingBo KLS ELECTRONIC CO.,L.TD.
x.xx ±0.20	Draw:	Daniel	2021-01-11	
x.xxx ±0.10	Check:	Daniel	2021-01-11	

1  
RoHS Compliance



**Material:**  
 Terminal: Phosphor Bronze  
 Plating: Tin plated or Nickel  
 Applicable wires: AWG #20 ~ # 26  
 Insulation O.D: 2.7mm  
 Qty/reel: 4000 pcs

**Electrical Characteristics:**  
 Rated Current: 10.0AMP  
 Voltage rating: 300V AC, DC  
 Temperature range: -25°C ~ + 85°C  
 Insulator Resistance: 1000MΩ Min  
 Withstanding Voltage: 1500V AC/minute  
 Contact Resistance: 20mΩ Max

**Order Information:**  
 L-KLS1-XM1-4.50-FT

L: RoHS  
 Pitch: 4.50mm  
 Type: FH-Female Hosing MH-Male Hosing  
 FT-Female Terminal MT-Male Terminal

ANGLE TOLERANCE	PROJECTION	Description:		
±3°		4.50mm Pitch JST EL 4501 4502 Wire To Wire Connector		
GENERAL TOLERANCE	UNITS	mm	KLS P/N:	L-KLS1-XM1-4.50-FT
x.x ±0.30	SHEET SIZE	A4		
x.xx ±0.20	Draw:	Daniel	2021-01-11	
x.xxx ±0.10	Check:	Daniel	2021-01-11	

**NingBo KLS ELECTRONIC CO.,L TD.**