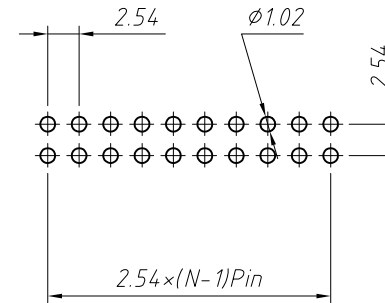
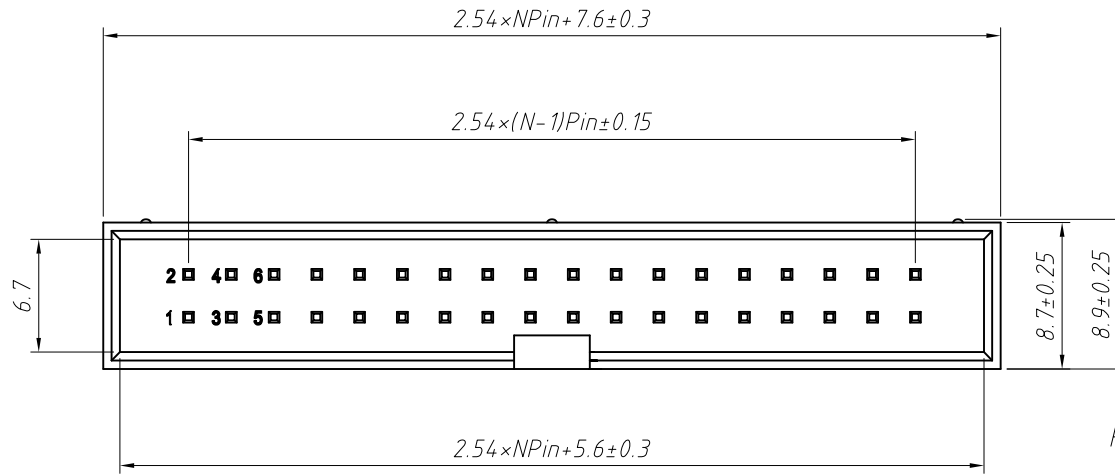


1 RoHS Compliance

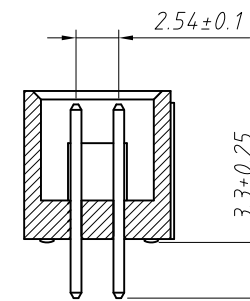
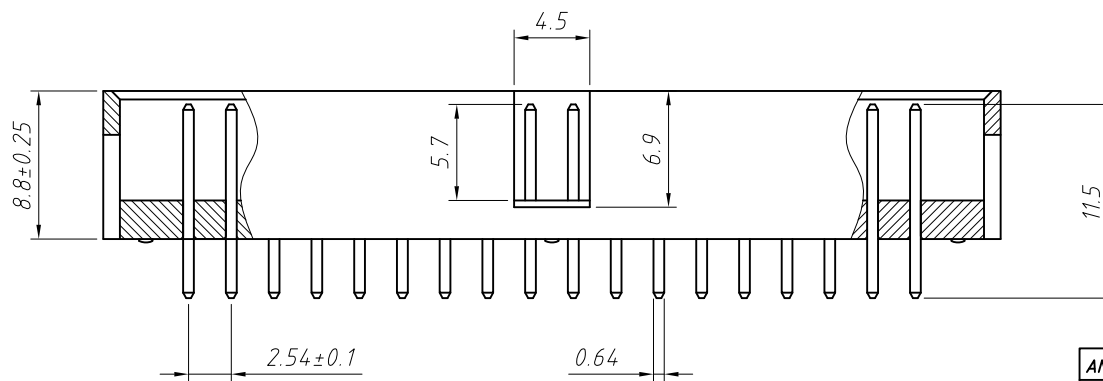


Recommended P.C.B Layout (Top Side)
(PCB BOARD TOLERANCE ±0.05)

Material:
Housing: PBT, UL 94 V-0
Contact: Brass
Plating: Gold flash plated

Electrical Characteristics:
Rated Current: 3.0AMP
Contact Resistance: 20mΩ Max
Withstand Voltage: 1000V AC/DC
Insulator Resistance: 1000MΩ Min

Mechanical
Operating Temperature: -40°C ~ +105°C
Max. Processing Temp: 180°C for 30-60 seconds (200°C for 10 seconds)



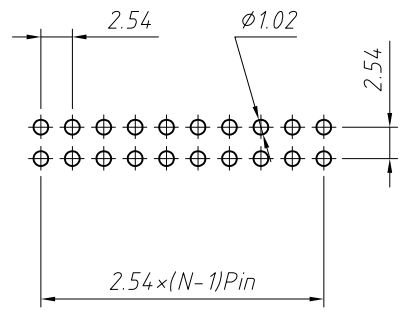
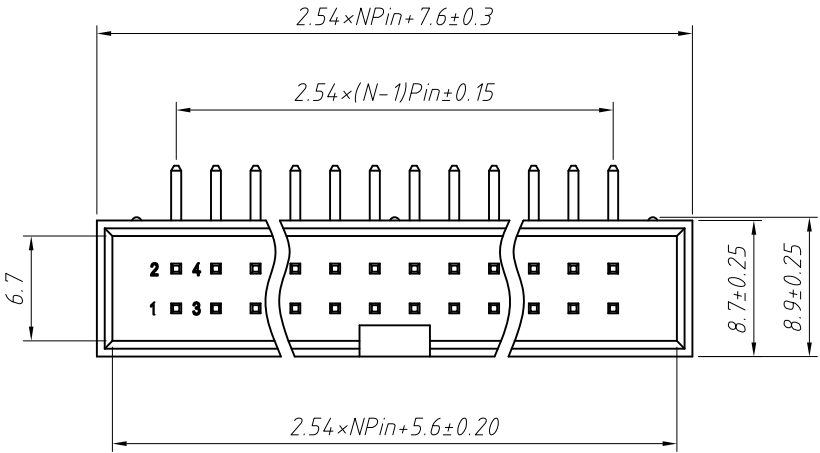
Order Information:

L-KLS1-202-XX-S-B-□

L: RoHS
Box Header Series
202: 2.54mm Pitch
XX-No. of 06 ~ 64 pin
Type: S-Straight pin
R-Right Angle Pin T-SMT
Color: B-Black G-Gray
Material: NONE=PBT B=PA6T

ANGLE TOLERANCE	PROJECTION	Description:
±3°		2.54mm Pitch Box Header Connector
GENERAL TOLERANCE	UNITS	mm
x.x ±0.30	SHEET SIZE	A4
x.xx ±0.20	Draw:	Daniel 2018-07-10
x.xxx ±0.10	Check:	Daniel 2018-07-10
		KLS NingBo KLS ELECTRONIC CO.,LTD.

1
RoHS Compliance

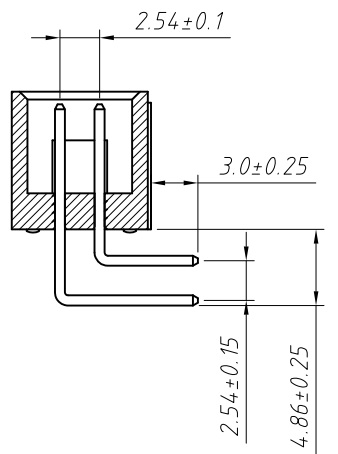
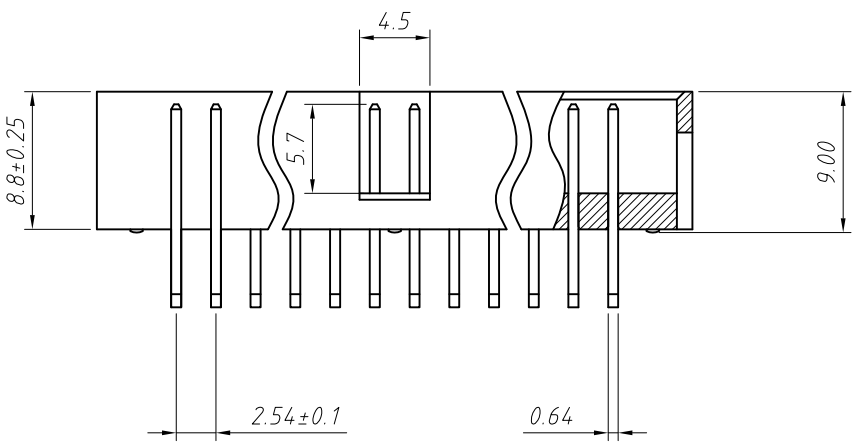


Material:
Housing: PBT,UL94V-0
Contact:Brass
Plating:Gold flash plated

Electrical Characteristics:
Rated Current: 3.0AMP
Contact Resistance: 20mΩ Max
Withstand Voltage: 1000V AC/DC
Insulator Resistance: 1000MΩ Min

Mechanical
Operating Temperature: -40°C ~ +105°C
Max.Processing Temp:180°C for 30-60 seconds (200°C for 10 seconds)

Recommended P.C.B Layout (Top Side)
(PCB BOARD TOLERANCE±0.05)

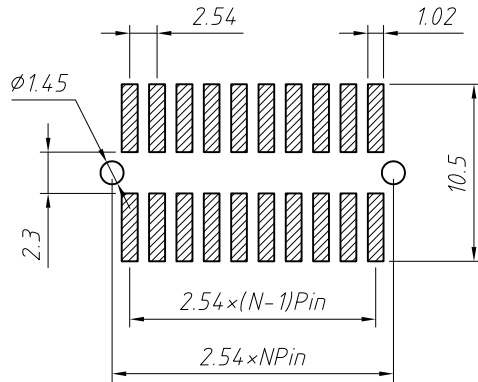
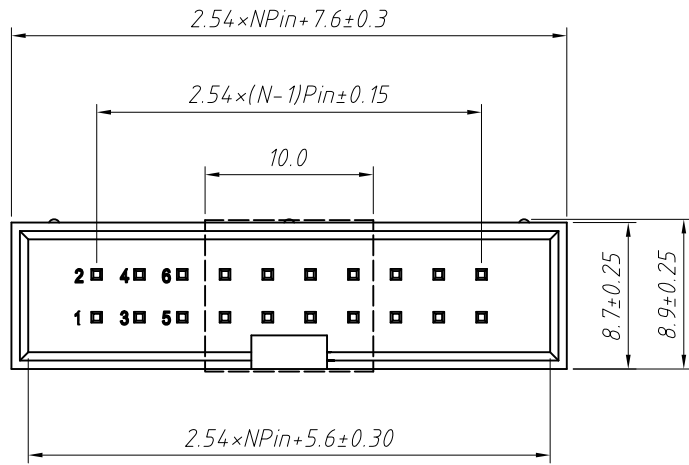


Order Information:
L-KLS1-202-XX-R-B-□
L: RoHS
Box Header Series
202:2.54mm Pitch
XX-No. of 06 ~ 64 pin
Type:S-Straight pin
R-Right Angle Pin T-SMT
Color:B-Black G-Gray
Material:NONE=PBT B=PA6T

ANGLE TOLERANCE	PROJECTION	Description:
±3°		2.54mm Pitch Box Header Connector
GENERAL TOLERANCE	UNITS	mm
x.x ±0.30	SHEET SIZE	A4
x.xx ±0.20	Draw:	Daniel 2018-07-10
x.xxx ±0.10	Check:	Daniel 2018-07-10

KLS NingBo KLS ELECTRONIC CO.,LTD.

1 RoHS Compliance

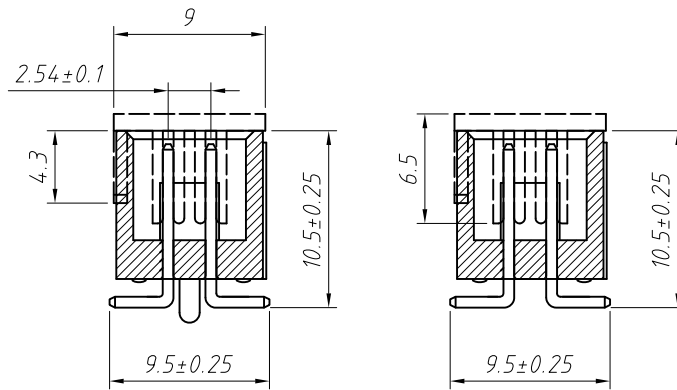
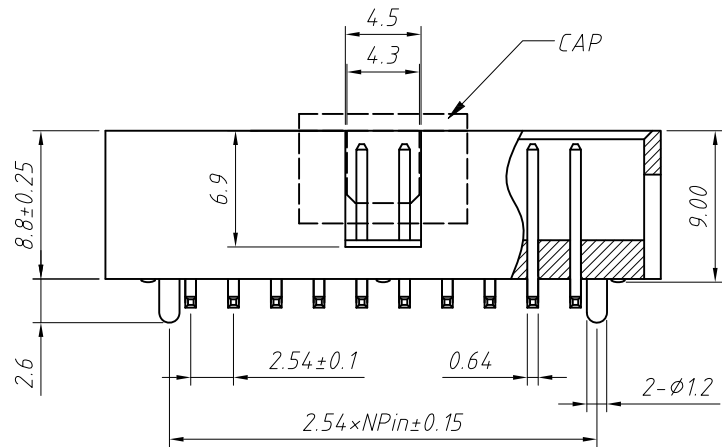


Recommended P.C.B Layout (Top Side)
(PCB BOARD TOLERANCE ± 0.05)

Material:
Housing: PA6T, UL 94V-0
Contact: Brass
Plating: Gold flash plated

Electrical Characteristics:
Rated Current: 3.0AMP
Contact Resistance: $20m\Omega$ Max
Withstand Voltage: 1000V AC/DC
Insulator Resistance: $1000M\Omega$ Min

Mechanical
Operating Temperature: $-40^{\circ}C \sim +105^{\circ}C$
Max. Processing Temp: $230^{\circ}C$ for 30-60 seconds ($260^{\circ}C$ for 10 seconds)



T3=With Post

T=Without Post

Order Information:

L-KLS1-202-XX-T-B-B-T

L: RoHS
Box Header Series
202: 2.54mm Pitch
XX-No. of 06 ~ 64 pins
SMT: T=Without Post
T3=With Post
Color: B-Black G-Gray
Material: B=PA6T
Packing:
T=Tube P=Tube+Cap R=Reel+Cap

ANGLE TOLERANCE	PROJECTION	Description:
$\pm 3^{\circ}$		2.54mm Pitch Box Header Connector
GENERAL TOLERANCE	UNITS	mm
x.x ± 0.30	SHEET SIZE	A4
x.xx ± 0.20	Draw:	Daniel 2018-07-10
x.xxx ± 0.10	Check:	Daniel 2018-07-10
		KLS NingBo KLS ELECTRONIC CO.,LTD.