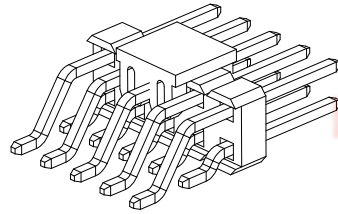
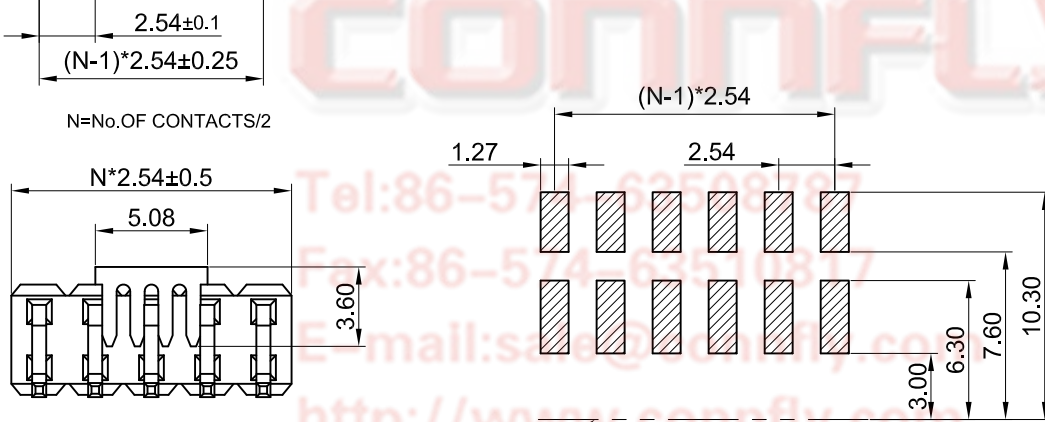
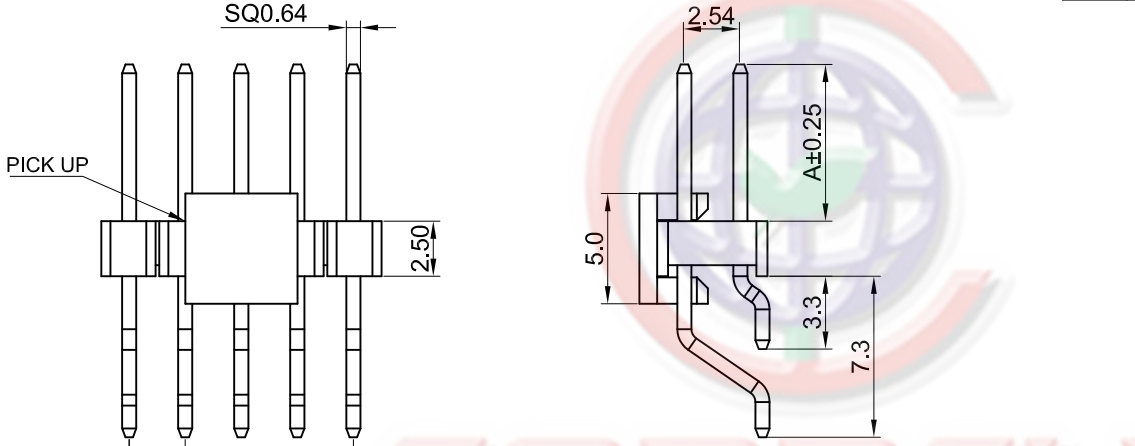


The information provided herein is from CONNELY Electronic Co., Ltd. and is confidential. Any disclosure to a party other than the recipient is prohibited. The intellectual properties and its rights contained herein, including but not limited to, trademarks, patents, copyrights, trade secrets, and technical know-how, are owned exclusively by CONNELY or its affiliates. Unauthorized use of this information in any format or manner. CONNELY may enforce its intellectual property rights at its own discretion; failures or delays to exercise such rights does not constitute a waiver of such rights.

1 2 3 4 5 6 7 8

| REV. | DESCRIPTION | DRAWN | CHECKED | APPROVED |
|------|----------------|---------------|---------|---------------|
| A | NEW RELEASE | YCH 12/10/07' | | LJC 12/10/07' |
| E | DRAWING UPDATE | JLZ 12/20/18' | | |
| | | | | |



NOTES:

SPECIFICATIONS:

- CONTACT RESISTANCE: 20mΩ MAX.
- INSULATION RESISTANCE: 1000MΩ MIN.
- DIELECTRIC WITHSTANDING VOLTAGE: 600V AC(RMS) FOR 1 MINUTE.
- CURRENT RATING:3A.
- VOLTAGE RATING:250V AC RMS.
- TEMPERATURE: -40°C~+105°C.

MATERIALS:

- CONTACT MATERIAL: COPPER ALLOY.
- CONTACT PLATING: GOLD PLATING OVER NICKEL.
- INSULATOR MATERIALS: HIGH TEMP, BLACK, UL94-V0.

PRODUCT NUMBER CODE:

DS1022-01 - X X X X X X - X

- PLATING LEVEL(FOR GOLD ONLY)
3A: LEVEL 3A B: LEVEL B
- PACKING TYPE
B: TUBE
R: TAPE ON REEL
- PICK UP SUPPORT
S: W/ PICK UP
X: W/O PICK UP
- Dim A type
1: 7.10
or A**
- CONTACT PLATING
8: Full gold flash
6: Full Tin
- CONTACTS TYPE
S: SMT TYPE
- No.OF CONTACTS
2x2-2x40

| GENERAL TOLERANCE | | ANGLE TOLERANCE | |
|-------------------|-------|-----------------|-----|
| X. | ±0.60 | X. | ±5° |
| .X | ±0.38 | .X | ±3° |
| .XX | ±0.25 | .XX | ±2° |

| | | | |
|------------|----|--------|-----------------------------------------|
| PROJECTION | | TITLE | 2.54mm PIN HEADER 2 ROW R/A SMT TYPE |
| UNITS | mm | SHEET | 1 OF 1 |
| SHEET SIZE | A4 | SERIES | DS1022-01 SERIES |

| | | | |
|--------------|------------------------|-------|--------|
| DRAWING TYPE | CUSTOMER | | |
| SCALE | 1:1 | SHEET | 1 OF 1 |
| DRAWING NO. | C-DS1022-01-XXXXXX-X-E | | |

晨翔电子有限公司
CONNFLY CONNELY ELECTRONIC CO. LTD

1 2 3 4 5 6 7 8