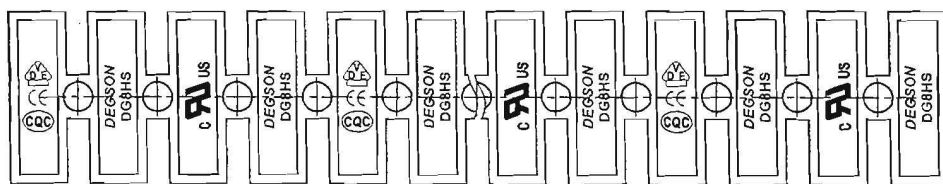
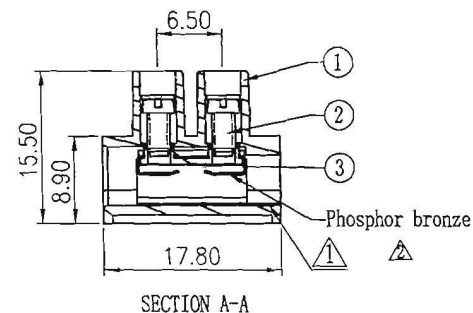
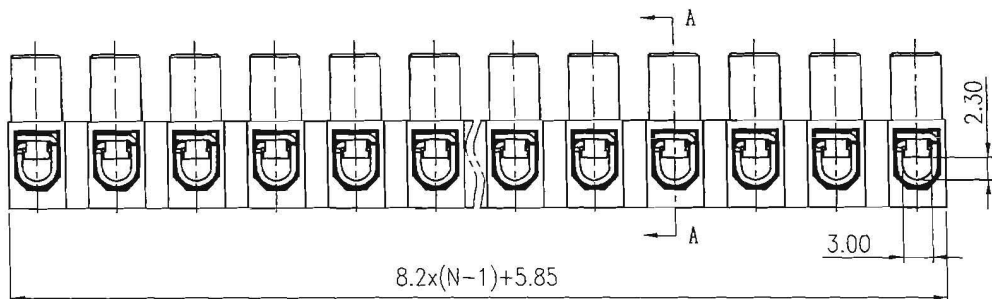
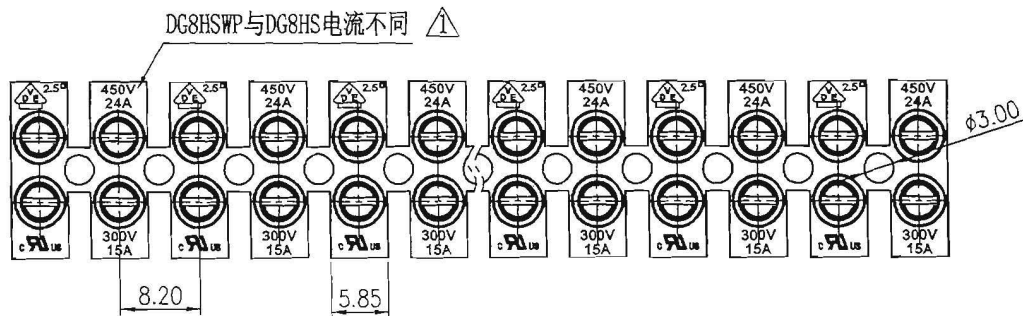


D1RFRD006

REVISION RECORD				
REV	ECN	DESCRIPTION	DRFT	DATE
⚠		增加DG8HWP零件及结构变更	Zengy	04/08/09
⚠	09-0075	增加弹片材质备注	LJH	10/05/09



Notes:

- Pitch: 8.2, Poles: 2-12P
- Rated voltage/Current: UL1059 300V 15A
VDE 450V 24A
- Operation temperatures: -40°C ~ +105°C
- Withstanding Voltage: AC2500V/1min
- Insulation Resistance: 5000MΩ/DC1000V
- Wier Range: 20-14AWG, 0.5-2.5mm²
- Max. Torque Value: M2.5, 4.08kgf.cm
- Undimensioned Tolerances:

Pitch range in mm		Nominal dimension range in mm						
to	over	to	over	over	over	over		
6	6	10	30	60	100	150	⌒	
6	10	24	30	60	100	150	▭	
±0.10	±0.15	±0.25	±0.2	±0.3	±0.5	±0.7	±1.0	

3	DG8HS-Current carrier	X000003250 (H)	XX	Steel+ Phosphor bronze	Cr ³⁺ Zn
2	DG8H- Screws M2.5	S000001110 (H)	XX*2	Steel	Cr ³⁺ Zn
1	DG8HWP Housing	2048A0YXXA (H)	1	PA66	UL94V-2
ITEM	NAME OF PART	NO. OF PART	Q'TY	MATERIAL	NOTES
DEGSON		宁波高正电子有限公司 DEGSON ELECTRONICS CO., LTD			
NAME		DG8HWP-1.2-XXP-1Y-100A (H)			
DRAWING NO.		DG8HWP-E01		SIZE	REV
/PART NO.				A4	T2
DD NDT SCALE DRAWING		SHEET 1		OF 1	

8

7

6

5

4

3

2

1