

PCB Modular Jack Series

KLS12-135-4P PCB Modular Jack 53 Series

MATERIAL

- 1.Housing Material: Glass Filled Polyester UL94V-0 PBT, NYLON
- 2.Housing Color: Black, Gray, Ivory, White or others
- 3.Contact Material: Phosphor Bronze $\Phi 0.46\text{mm}$
- 4.PLATING: Gold plating over nickel. Gold plating thickness
1.5u"/3u"/6u"/15u"/30u"/50u"

ELECTRICAL

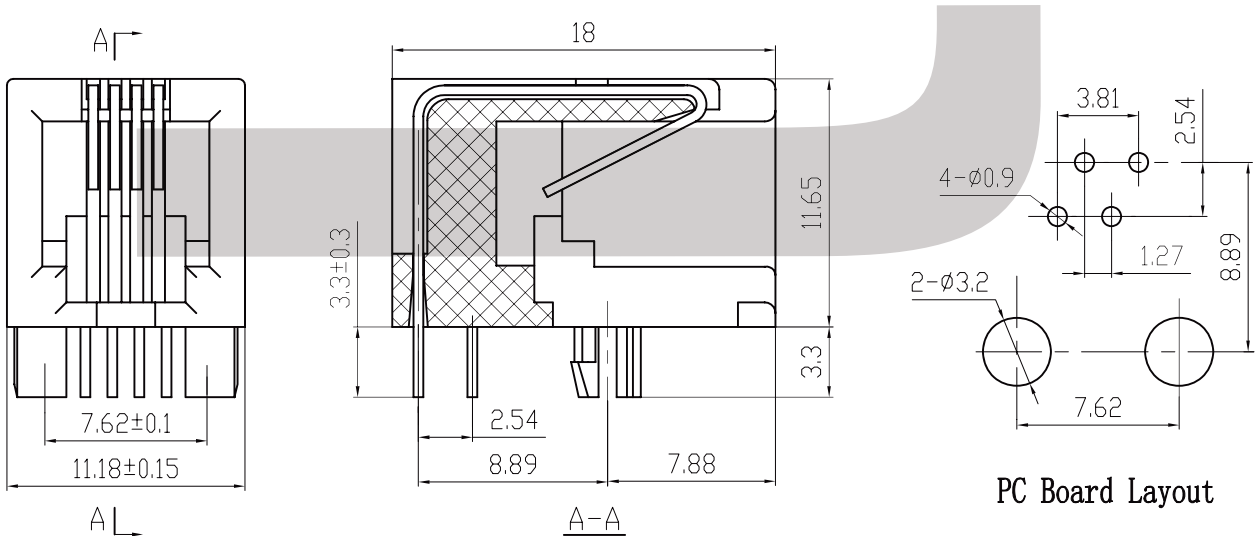
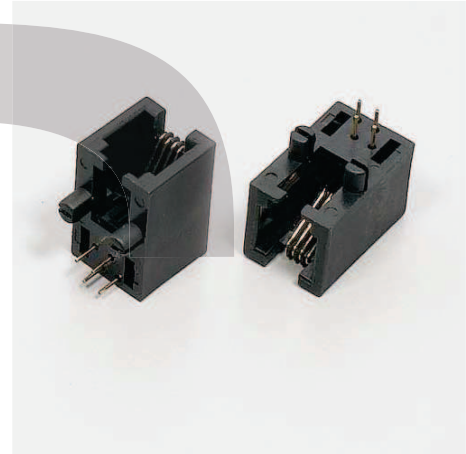
- 1.Current Rating: 1.5 Amp
- 2.Voltage Rating: 125VAC
- 3.Contact Resistance: 30 M Ω Max.
- 4.Insulation Resistance: 500 M Ω Min. @ 500VDC
- 5.Withstanding Voltage: 1000VAC RMS 50Hz 1 minute

MECHANICAL

- 1.Durability : 750 cycles Min.
- 2.PCB Retention pre-solder : 1 LB MIN

ENVIRONMENTAL

- 1.Storage :-40°C~+80°C
- 2.Operation:-40°C~+70°C



ORDER INFORMATION

KLS12-135 - 4P4C-B-XX-X

Part Number	Point NO.	Part Color	Gold Thickness	Plastic
	4P4C Point	1-Black	01-Fu"	1-Nylon
	4P2C Point	2-Gray	02-3u"	2-PBT
		3-White	03-6u"	3-ABS
		4-IV	04-15u"	
			05-30u"	
			06-50u"	