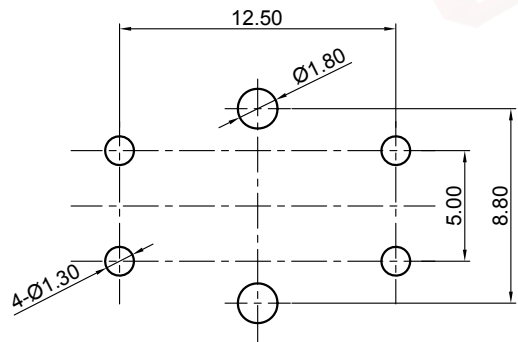
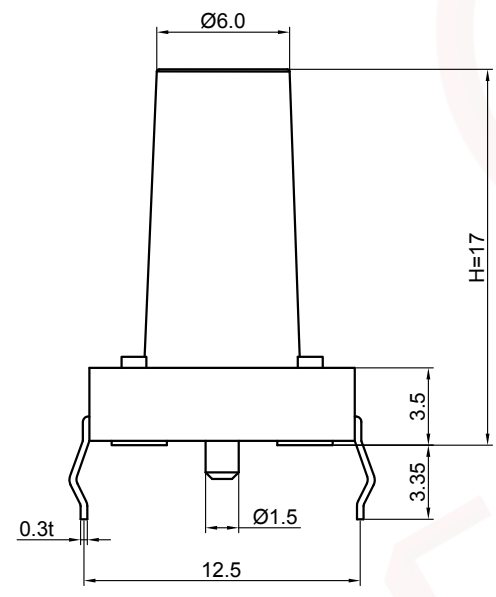
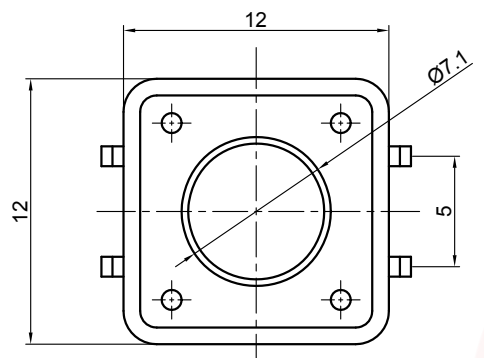
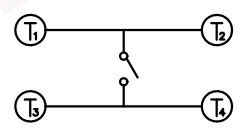


Dept	
Qty	
DC	1
ED	1
IE	1
ISO	1
PD	1
R&D	1
SD	1
QA	1
QC	1
QE	1

The information provided herein is from CONNELY Electronic Co., Ltd. and is confidential. Any disclosure to a party other than the recipient is prohibited. The intellectual properties and its rights contained herein, including but not limited to, trademarks, patents, copyrights, trade secrets, and technical know-how, are owned exclusively by CONNELY or its affiliates. Unauthorized use or reproduction of any part of this document is strictly prohibited. CONNELY may enforce its intellectual property rights at its own discretion, failures or delays to exercise such rights does not constitute a waiver of such rights.



Recommend PCB layout
Tolerance:±0.05



Schematic

REV.	DESCRIPTION	DRAWN	CHECKED	APPROVED
A	NEW RELEASE	JLZ 12/17/21'		

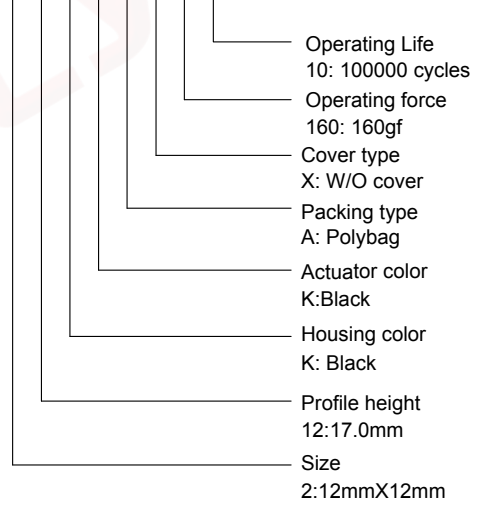
NOTES:

1. Specifications

- . switch function: Single pole Single throw
- . contact rating: 50mA at 12vdc
- . insulation resistance:100MΩ min at 500vdc
- . contact resistance:100mΩ max
- . stop strength: place the switch such that vertical, a static load of 3kgf shall be applied in the direction of stem,operation for a period of 15 secs.
- . stroke: (12x12)0.35±0.1mm
- . operation temperature range: -20°C to 70°C
- . storage temperature range: -20°C to +70°C

2. Product number code:

DS1041 - X X X X X X X



GENERAL TOLERANCE		ANGLE TOLERANCE		PROJECTION		TITLE
X.	±0.60	X.	±5°	UNITS	mm	TACT SWITCH DIP TYPE
.X	±0.38	.X	±3°	SHEET SIZE	A4	SERIES DS1041 SERIES
.XX	±0.25	.XX	±2°	晨翔电子有限公司 CONNFLY ELECTRONIC CO., LTD		
DRAWING TYPE		CUSTOMER				
SCALE		1:1 SHEET 1 OF 1				
DRAWING NO.				C-DS1041-XXXXXXXX-X-A		